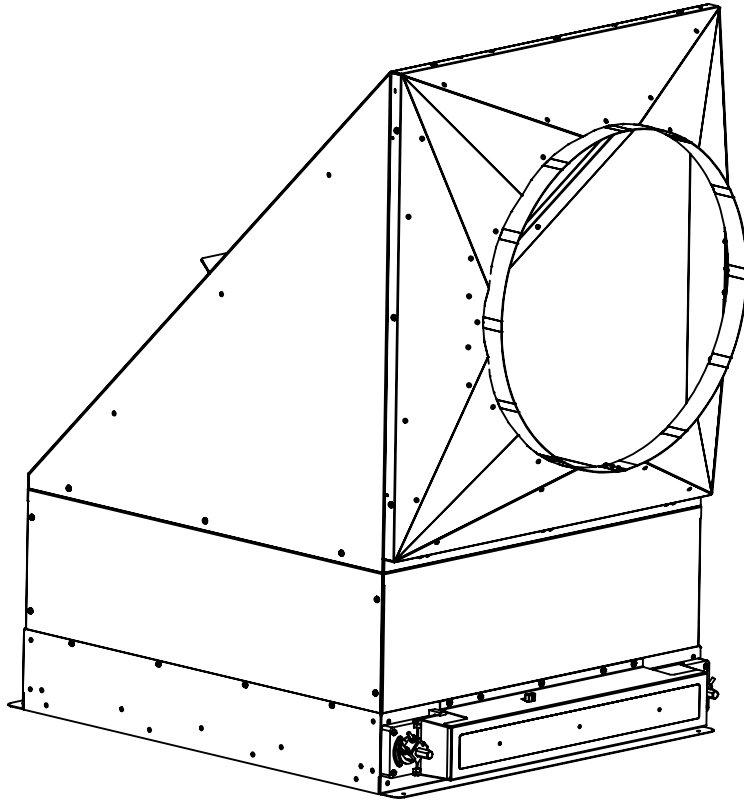


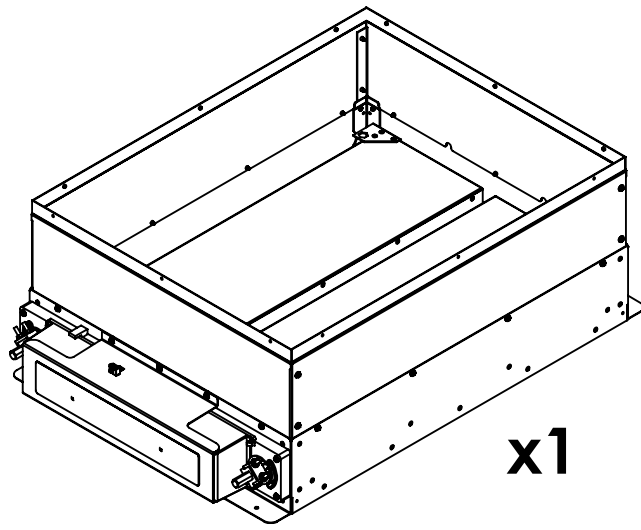
Thank you for your purchase

PAL26 Rotated Low-Clearance Adapter

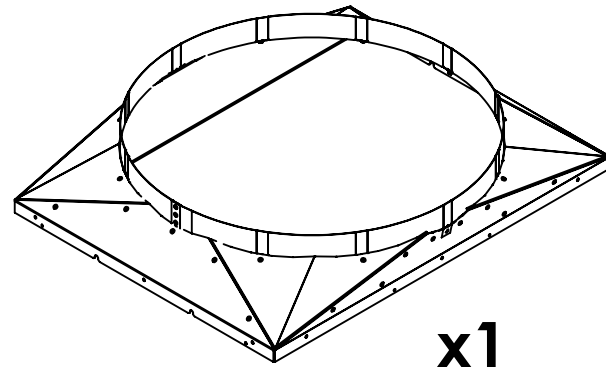


NEED:

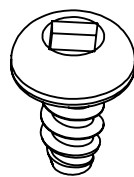
- Included with PAL26 unit, not this kit -



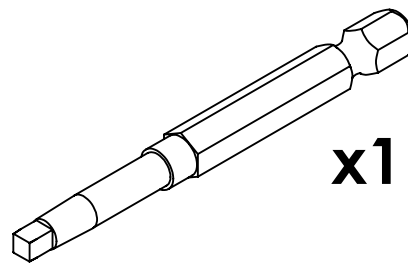
x1



x1

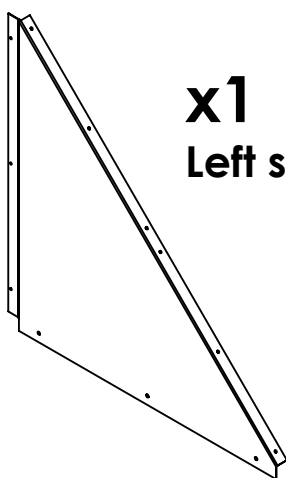


x12

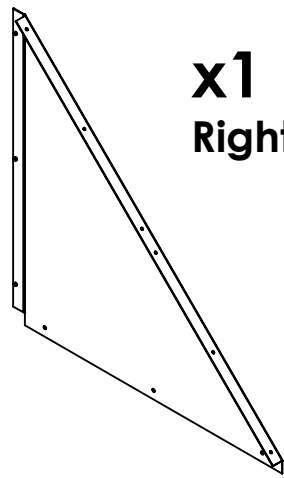


x1

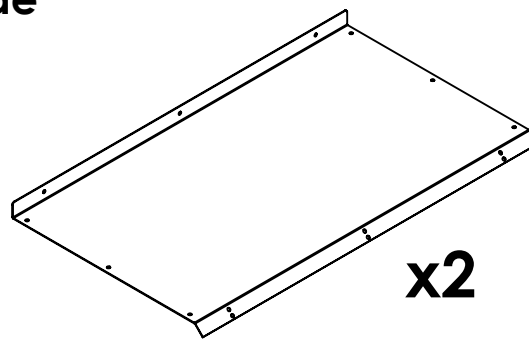
- Included in this kit -



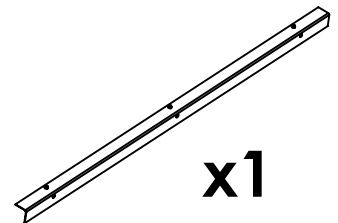
x1
Left side



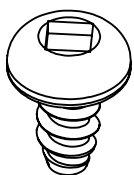
x1
Right side



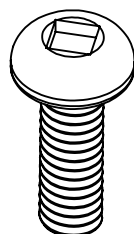
x2



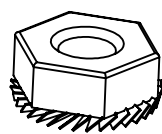
x1



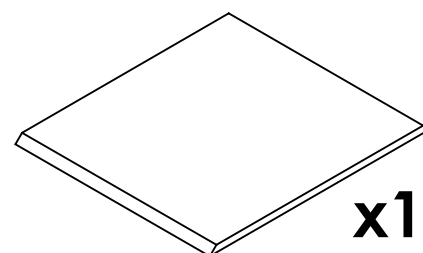
x24



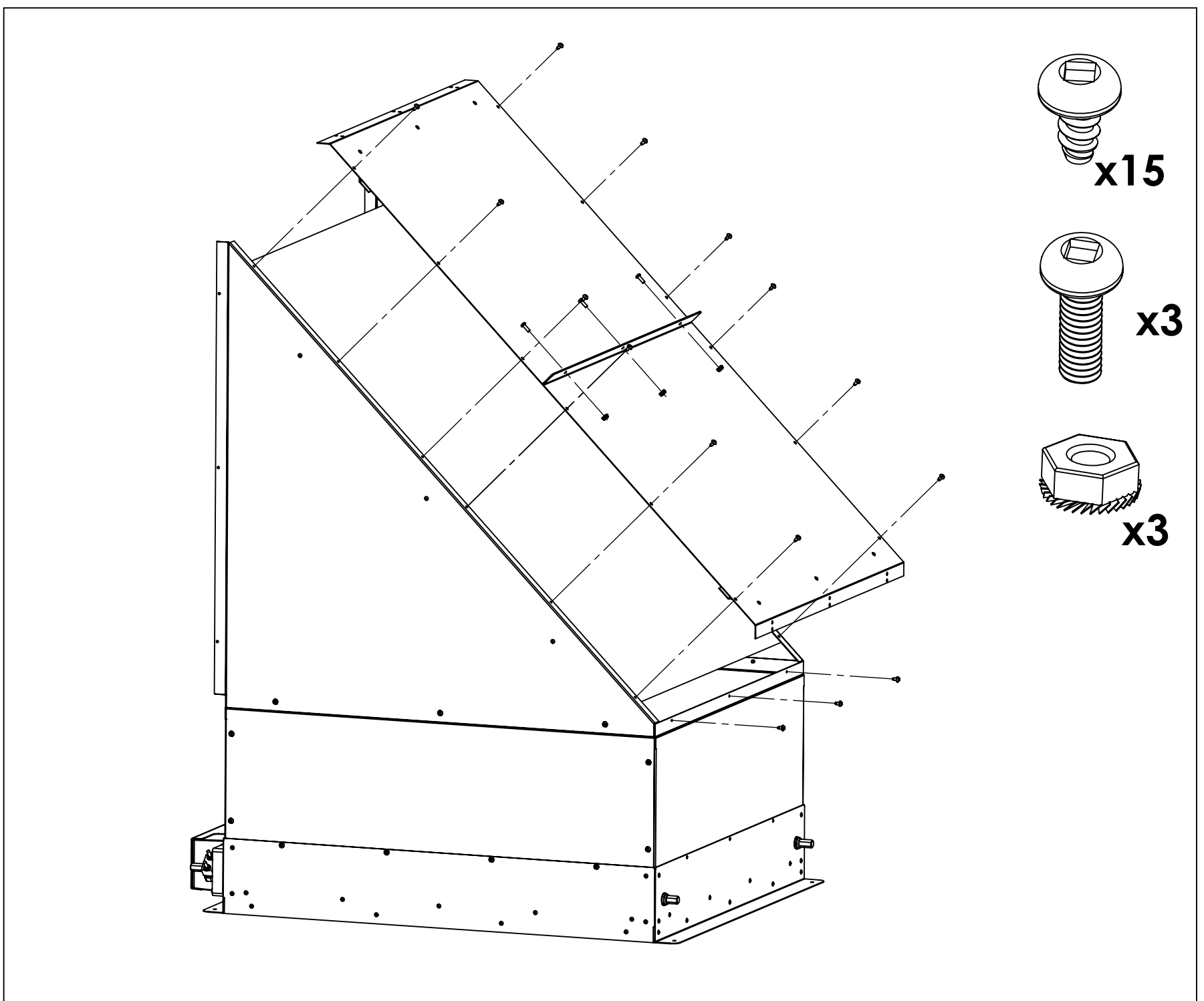
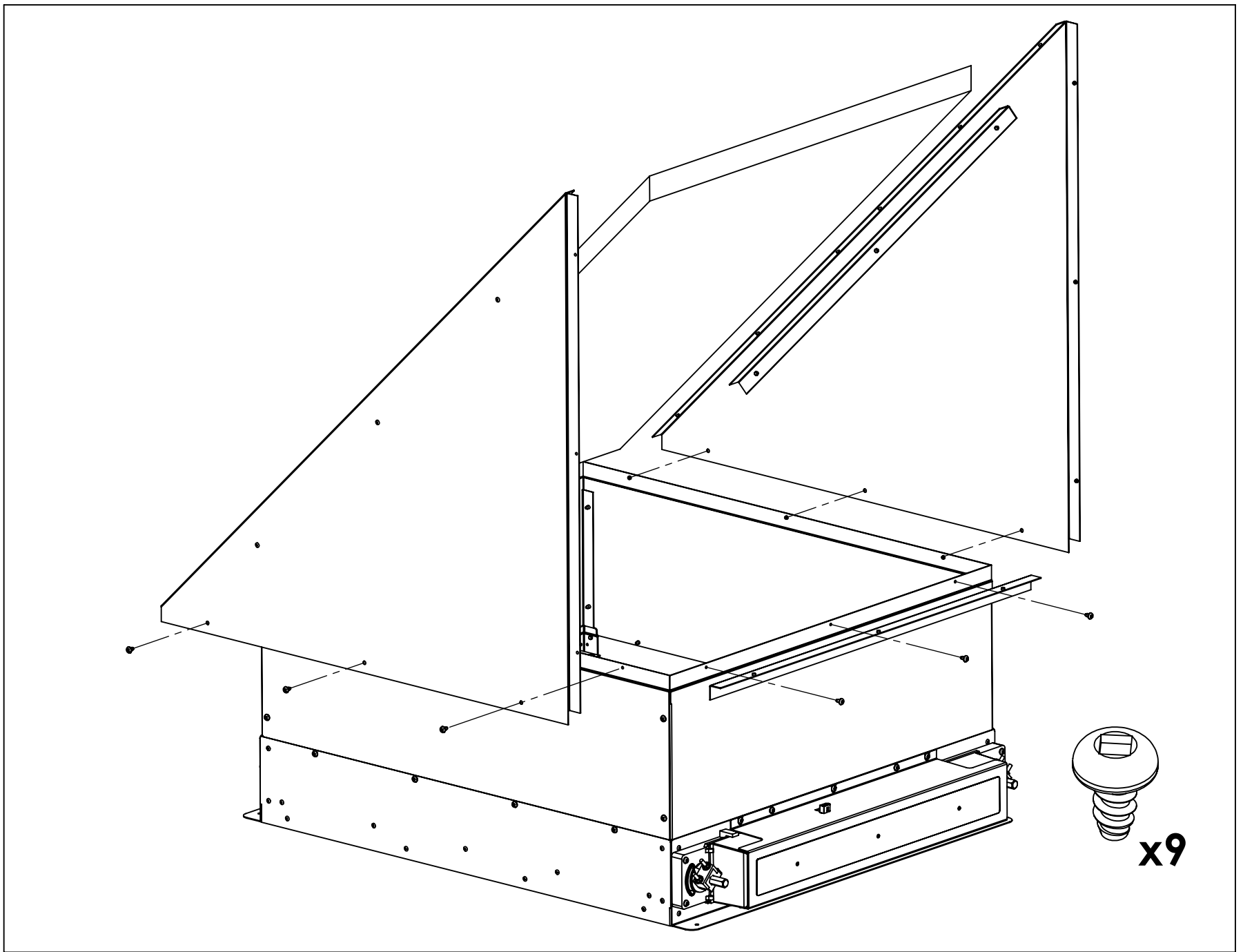
x6

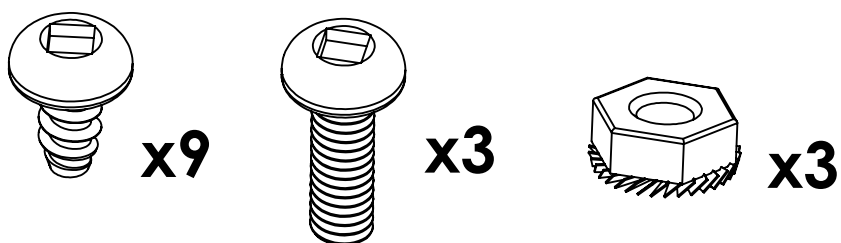
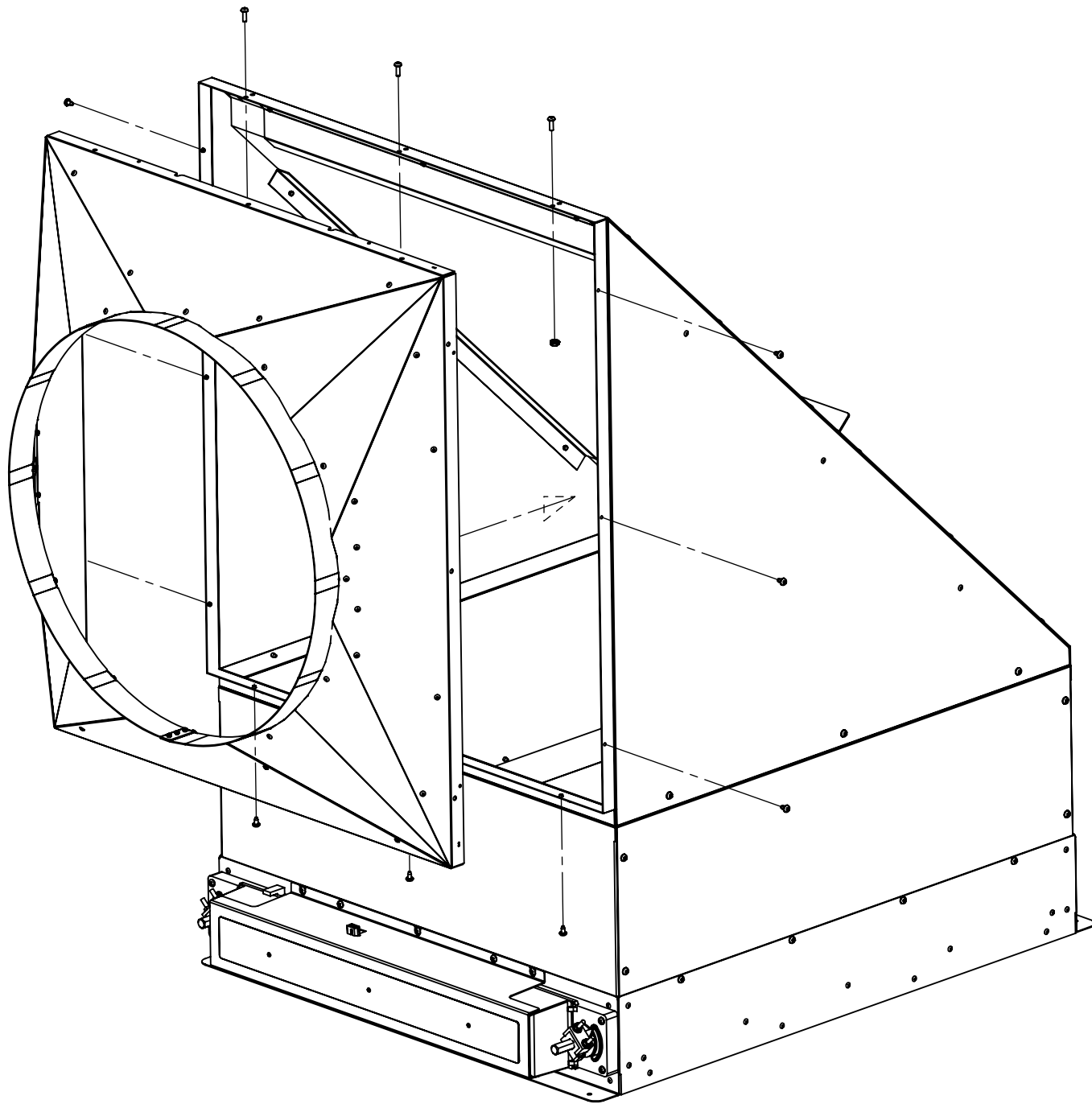


x6



x1





Follow instructions included with your PAL26 unit for attaching and hanging duct.