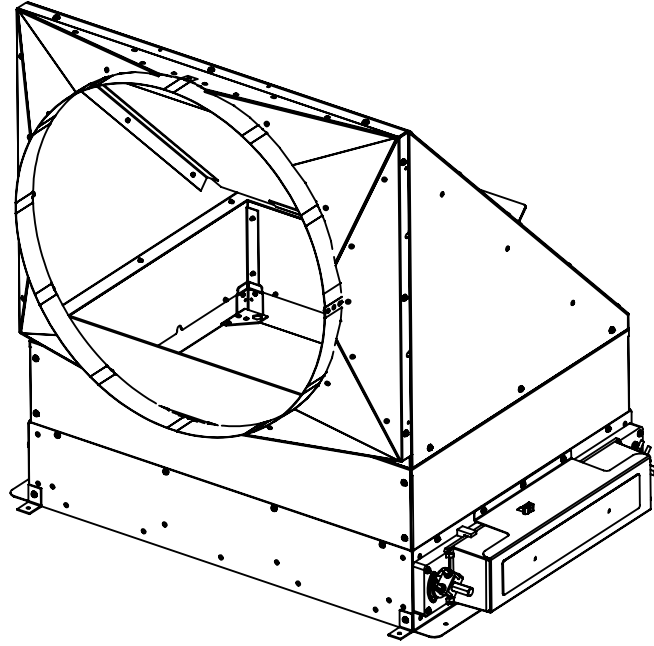


Thank you for your purchase

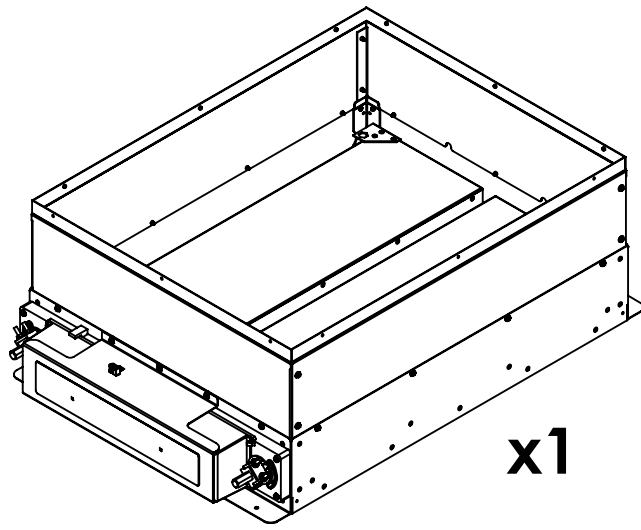


# PAL14

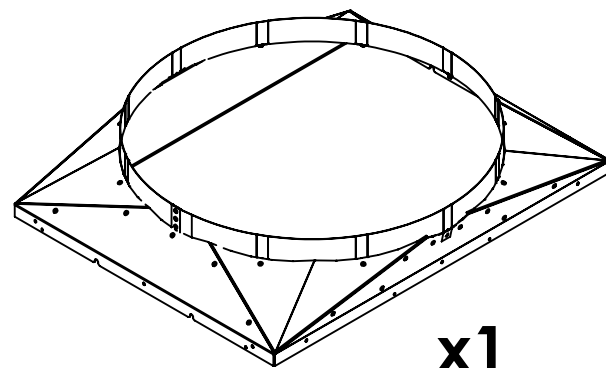
## Low-Clearance Adapter

### NEED:

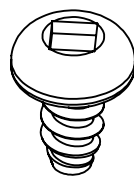
*- Included with PAL14 unit, not this kit -*



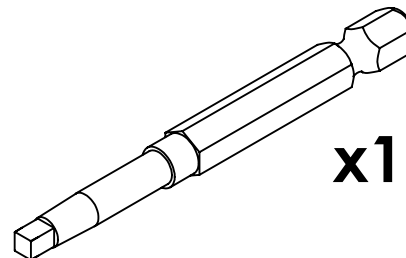
**x1**



**x1**

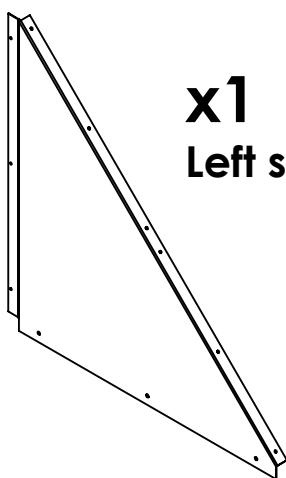


**x12**

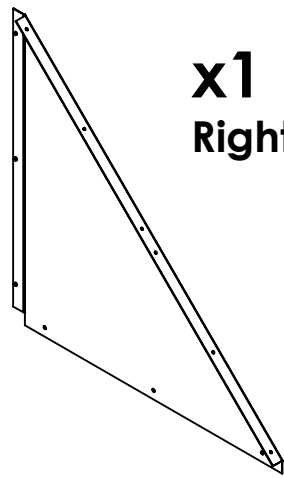


**x1**

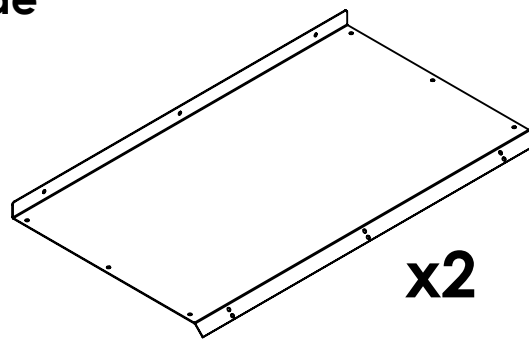
*- Included in this kit -*



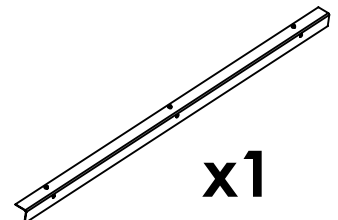
**x1**  
Left side



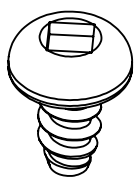
**x1**  
Right side



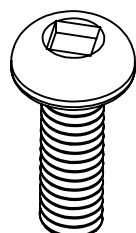
**x2**



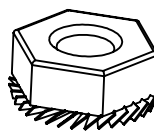
**x1**



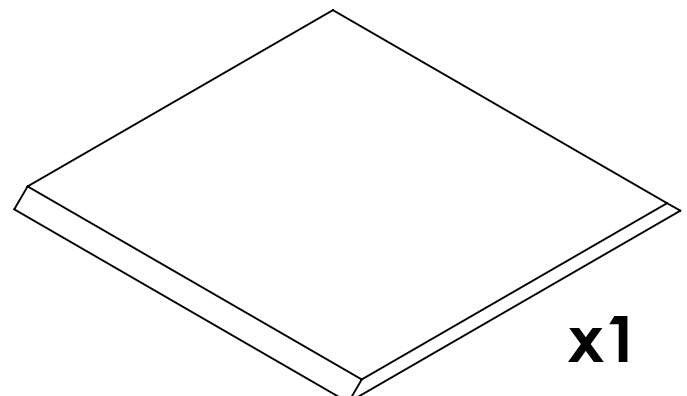
**x24**



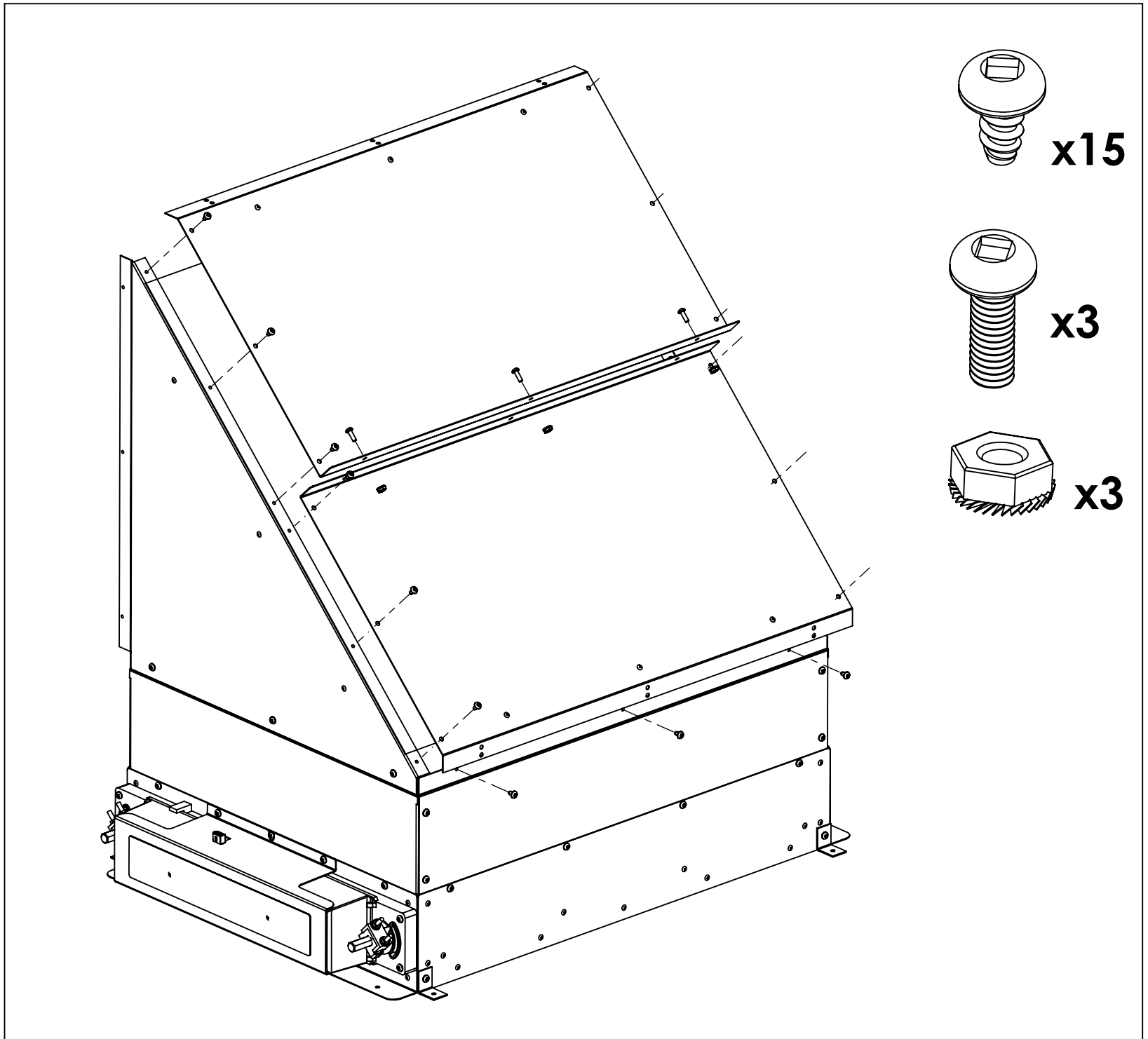
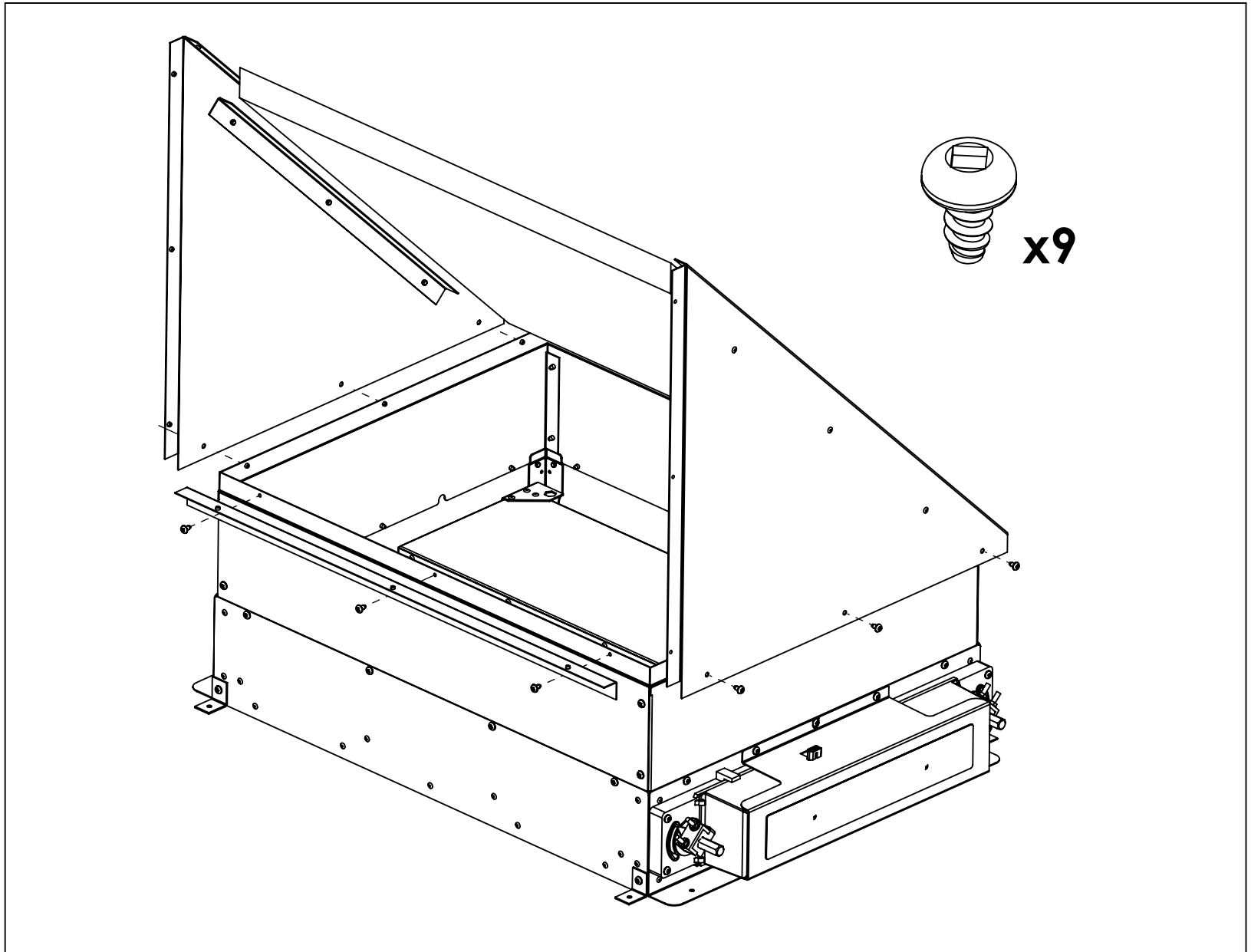
**x6**

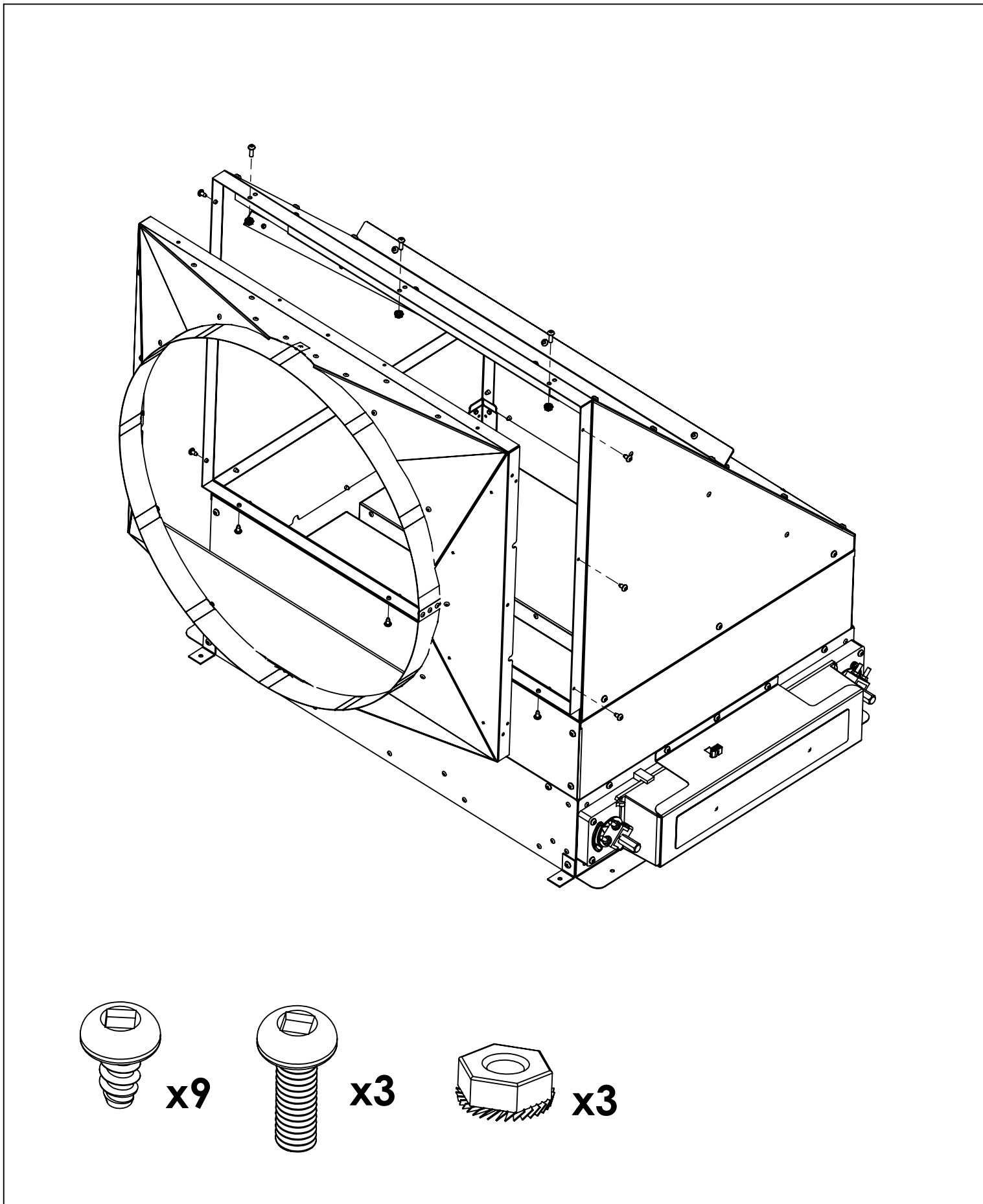


**x6**



**x1**





*Follow instructions included with your PAL14 unit for attaching and hanging duct.*