

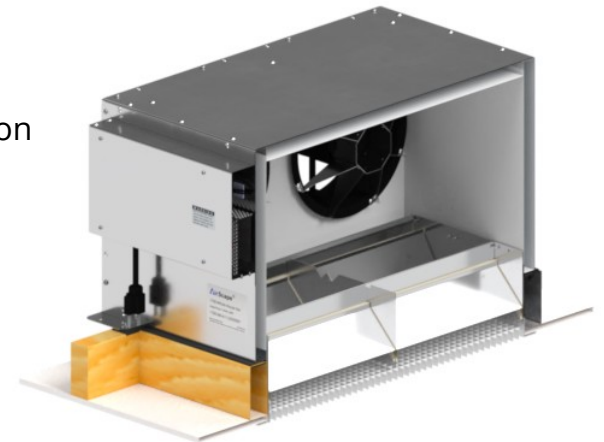


1700 Ventura Whole House Fan

1545 CFM, 80W, 44-55 dBA


Our low profile easy install Whole House Fan. This unit comes with a low effort air door and cube core grille. The unit fits 16 and 24 O/C framing. The included [Digital Touch Controller](#) controls 10 speeds allowing for harmonic and efficiency selection in your preference. This controller also includes a 12 hour timer and dims its indicator lights when left alone.

Options available but not included are: a remote and an acoustical plenum



AirLab Specifications:

Fan Speed	Power (Watts)	Air Flow CFM	Efficiency (CFM per W)
1	9.0	2	0.22
2	14	9	0.64
3	20	84	4.2
4	27	321	11.89
5	33.8	547	16.18
6	43.2	913	21.13
7	54.7	1226	22.41
8	63.4	1351	21.31
9	73.9	1488	20.14
10	80	1545	19.31

 High Efficiency Range

120VAC, Single Phase, 0.7A

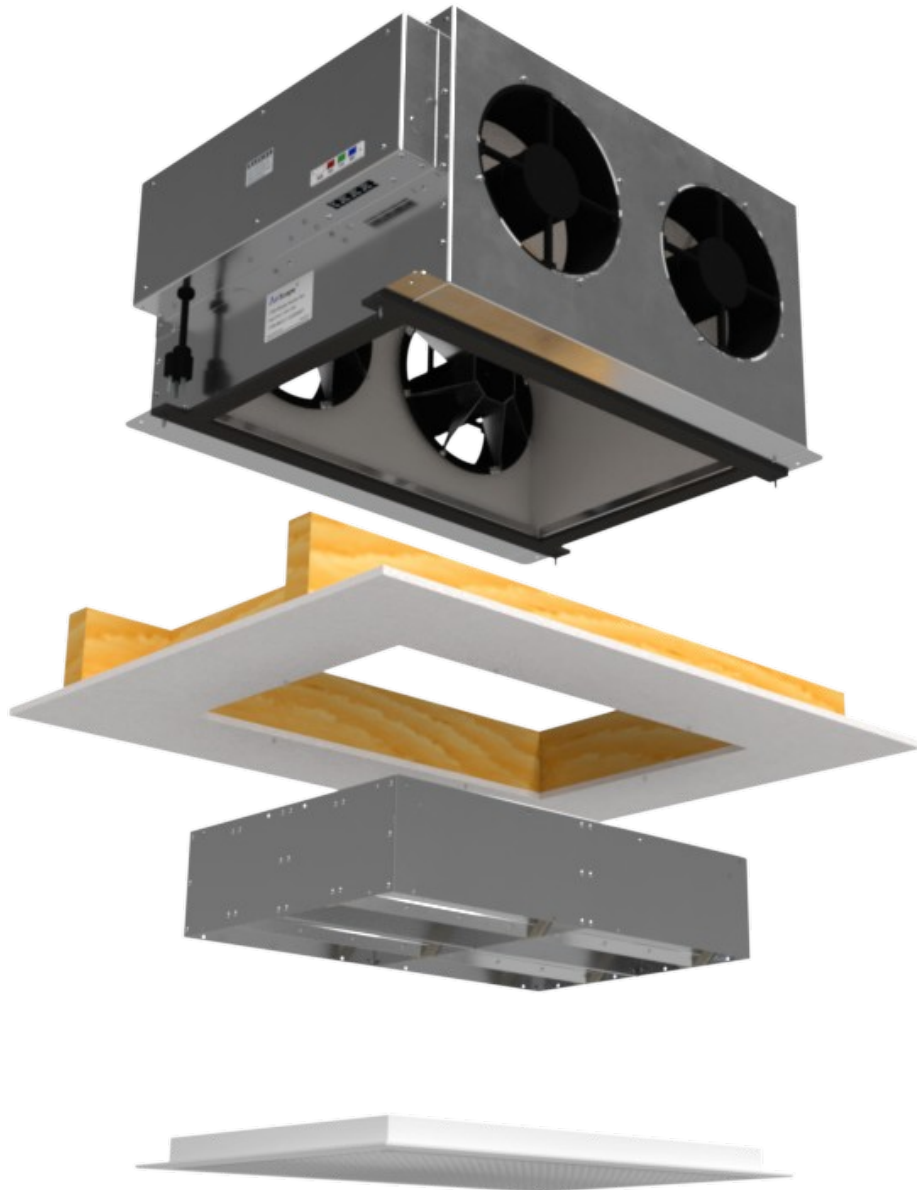
Unit Weight = 47 lbs

Links:

www.airscapefans.com 1.866.448.4187

[How does a Whole House Fan work?](#)

[Easy Installation, how to DIY](#)



AirScape your house!

The highest quality and quietest fans on the market today!

[Check out our sister company HVACQuick.com](http://HVACQuick.com)

