

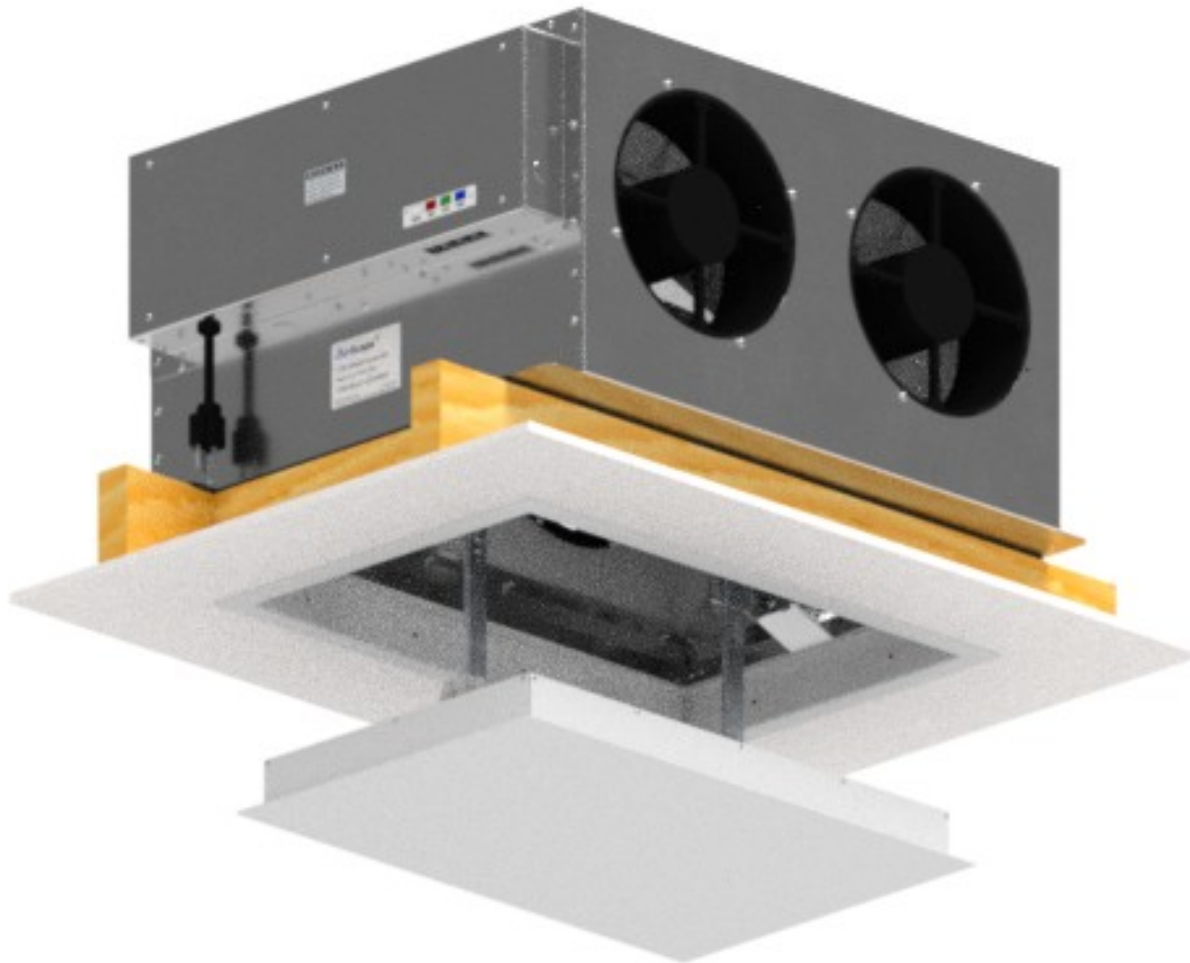
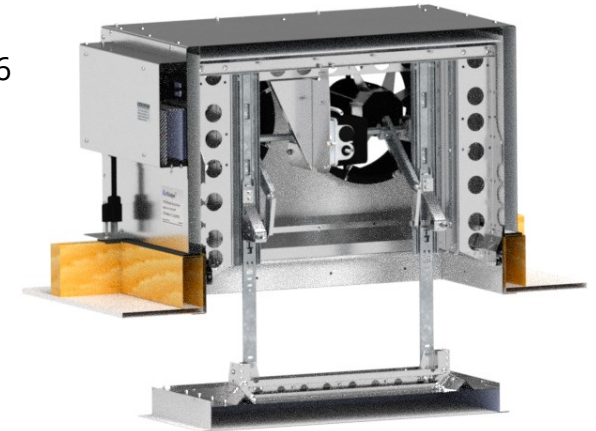


# 1700 LiftLock Whole House Fan

1700 CFM, 80W, 44-55 dBA, R9.6


Our low profile easy install Whole House Fan. This unit comes with our Lift-Lock door assembly (R9.6) which blends into the wall or ceiling when color matched. The unit fits 16 and 24 O/C framing. The included [Digital Touch Controller](#) controls 10 speeds allowing for harmonic and efficiency selection in your preference. This controller also includes a 12 hour timer and dims its indicator lights when left alone.

Options available but not included are: a remote and an acoustical plenum



## AirLab Specifications:

Fan Speed	Power (Watts)	Air Flow CFM	Efficiency (CFM per W)
1	9.0	97	10.78
2	11.0	253	23
3	16.6	648	39.04
4	23.5	927	39.45
5	31.9	1137	35.64
6	41.0	1280	31.22
7	49.8	1426	28.63
8	58.1	1529	26.32
9	67.3	1642	24.4
10	73.2	1696	23.17

 High Efficiency Range

120VAC, Single Phase, 0.7A

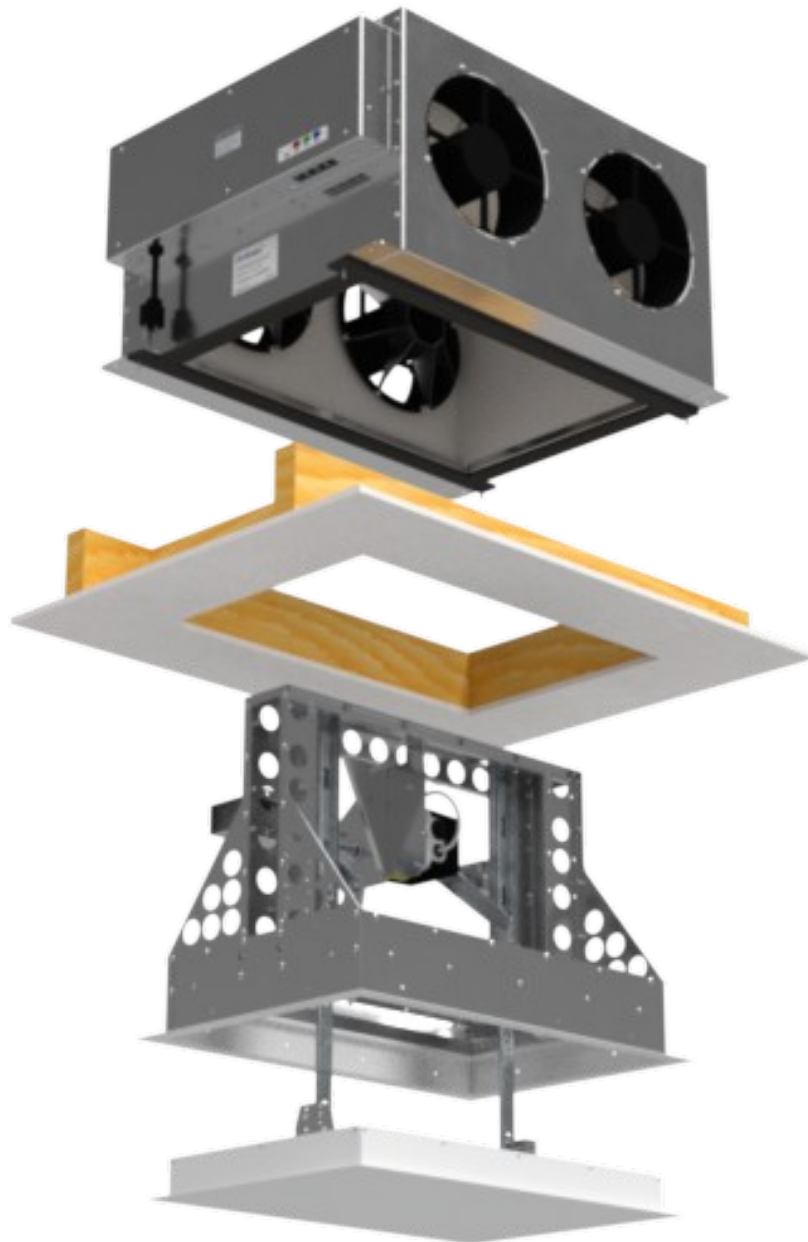
Unit Weight = 47 lbs

Links:

[www.airscapfans.com](http://www.airscapfans.com) 1.866.448.4187

[How does a Whole House Fan work?](#)

[Easy Installation, how to DIY](#)



AirScape your house!

The highest quality and quietest fans on the market today!

[Check out our sister company HVACQuick.com](#)

