

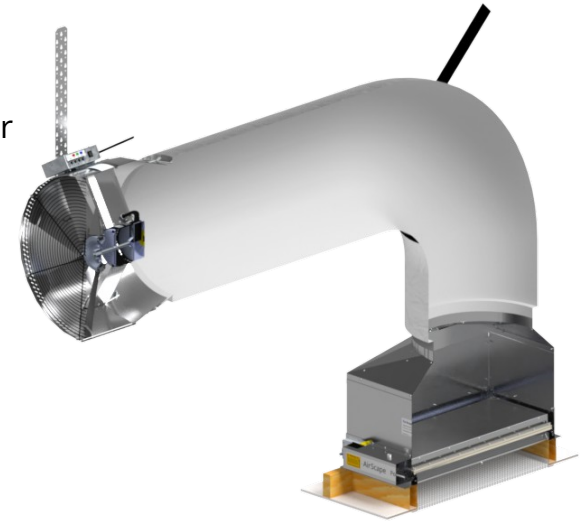
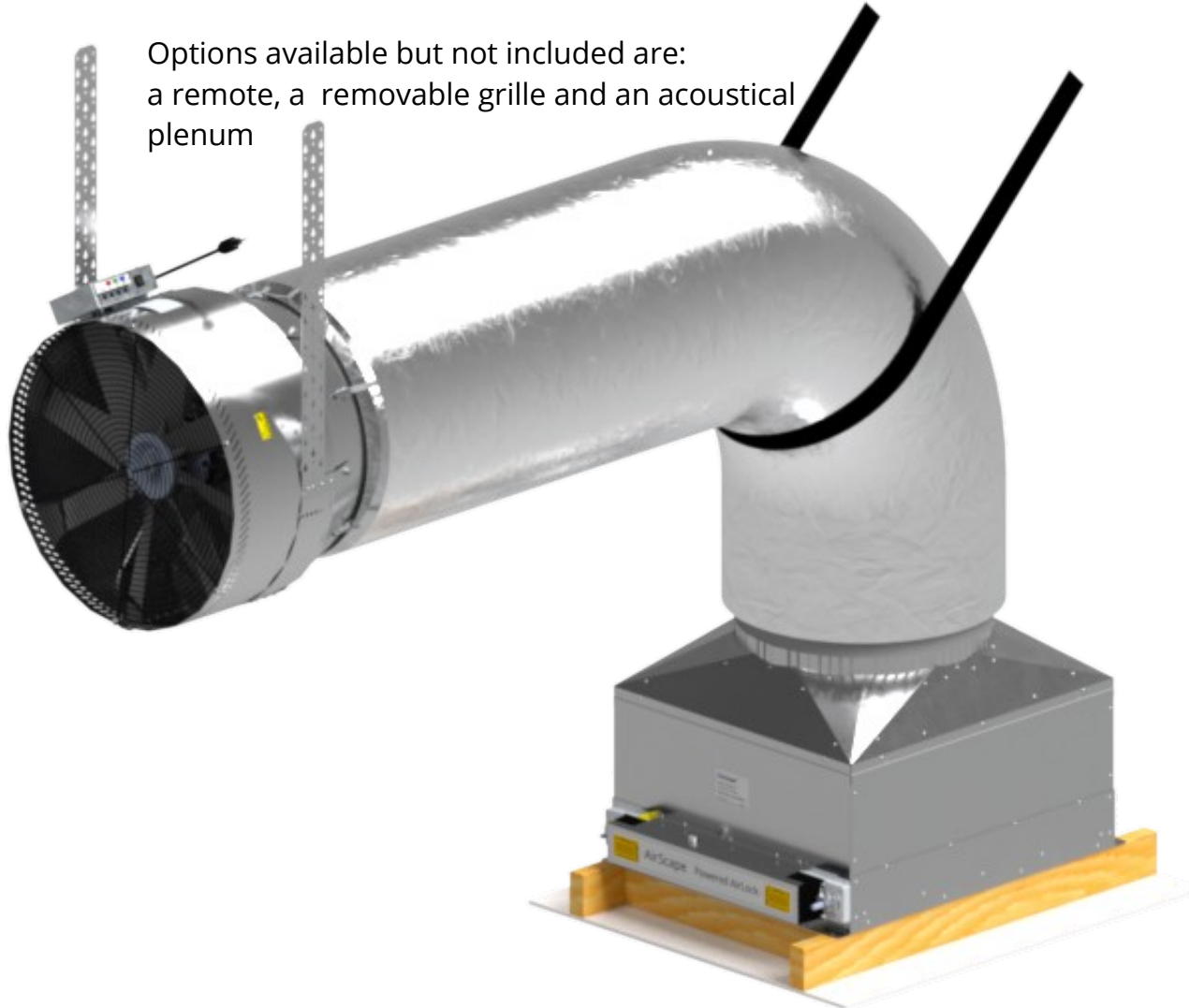


5300 Sierra Whole House Fan

5527 CFM, 932W, 36-68 dBA, R13

Our flagship model with our [patented](#) 24" fan and motorized Air-Lock damper doors (R13). The unit fits 24" O/C framing. The included [Digital Touch Controller](#) controls 10 speeds allowing for harmonic and efficiency selection in your preference. This controller also includes a 12 hour timer and dims its indicator lights when left alone.

Options available but not included are:
a remote, a removable grille and an acoustical plenum



AirLab Specifications:

Fan Speed	Power (Watts)	Air Flow CFM	Efficiency (CFM per W)
1	36.5	690	18.9
2	49.1	1302	26.52
3	74.1	1868	25.21
4	117.9	2438	20.68
5	185.1	3013	16.28
6	279	3500	12.54
7	515	4060	7.88
8	594	4676	7.87
9	811	5239	6.46
10	932	5527	5.93

 High Efficiency Range

120VAC, 60Hz, Single Phase, 7.8A
Unit Weight = 120 lbs

Links:

www.airscapfans.com 1.866.448.4187

[How does a Whole House Fan work?](#)

[Easy Installation, how to DIY](#)

AirScape your house!
The highest quality and quietest fans on the market today!

[Check out our sister company HVACQuick.com](#)

