

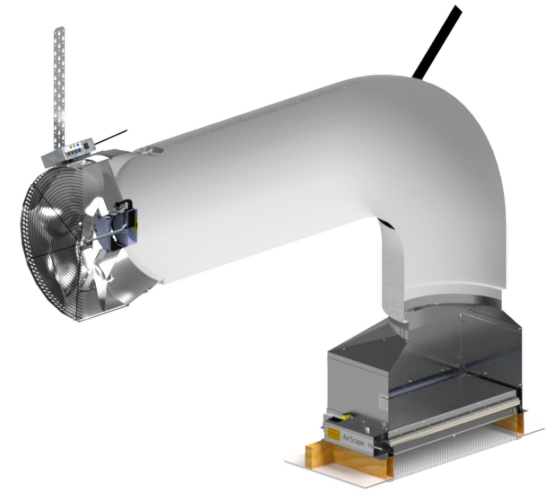
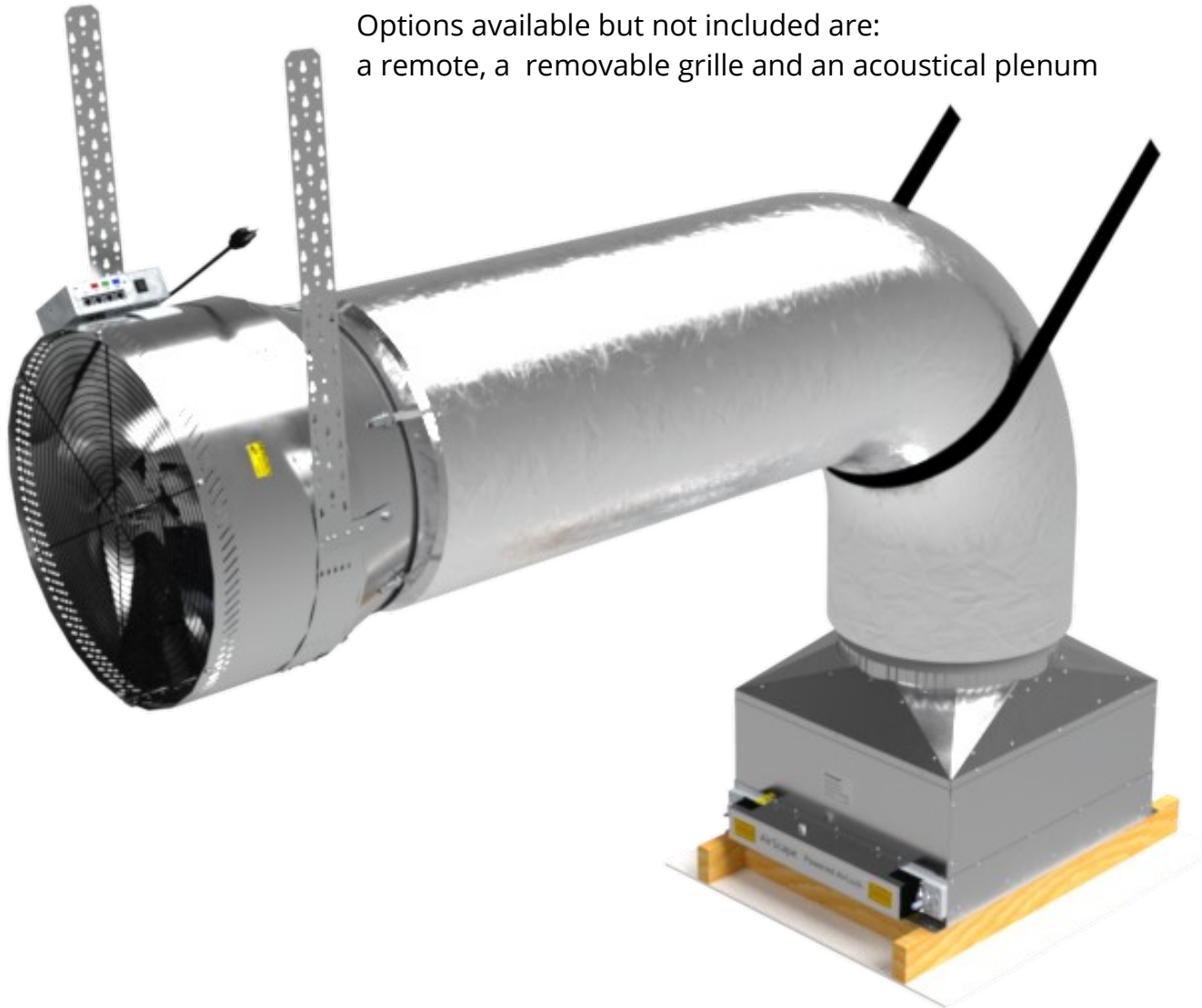


# 3400 Sierra Whole House Fan

3440 CFM, 298W, 36-52 dBA, R13

Our flagship model with our [patented](#) 24" fan and motorized Air-Lock damper doors (R13). The unit fits 24" O/C framing. The included [Digital Touch Controller](#) controls 10 speeds allowing for harmonic and efficiency selection in your preference. This controller also includes a 12 hour timer and dims its indicator lights when left alone.

Options available but not included are:  
a remote, a removable grille and an acoustical plenum



## AirLab Specifications:

Fan Speed	Power (Watts)	Air Flow CFM	Efficiency (CFM per W)
1	17	723	42.53
2	33	1352	40.97
3	55	1775	32.27
4	80	2082	26.03
5	110	2415	21.95
6	142	2671	18.81
7	179	2896	16.18
8	217	3105	14.31
9	259	3282	12.67
10	298	3440	11.54

 High Efficiency Range

120VAC, 60Hz, Single Phase, 2.7A

Unit Weight = 110 lbs

Links:

[www.airscapefans.com](http://www.airscapefans.com) 1.866.448.4187

[How does a Whole House Fan work?](#)

[Easy Installation, how to DIY](#)

AirScape your house!

The highest quality and quietest fans on the market today!

[Check out our sister company HVACQuick.com](#)

