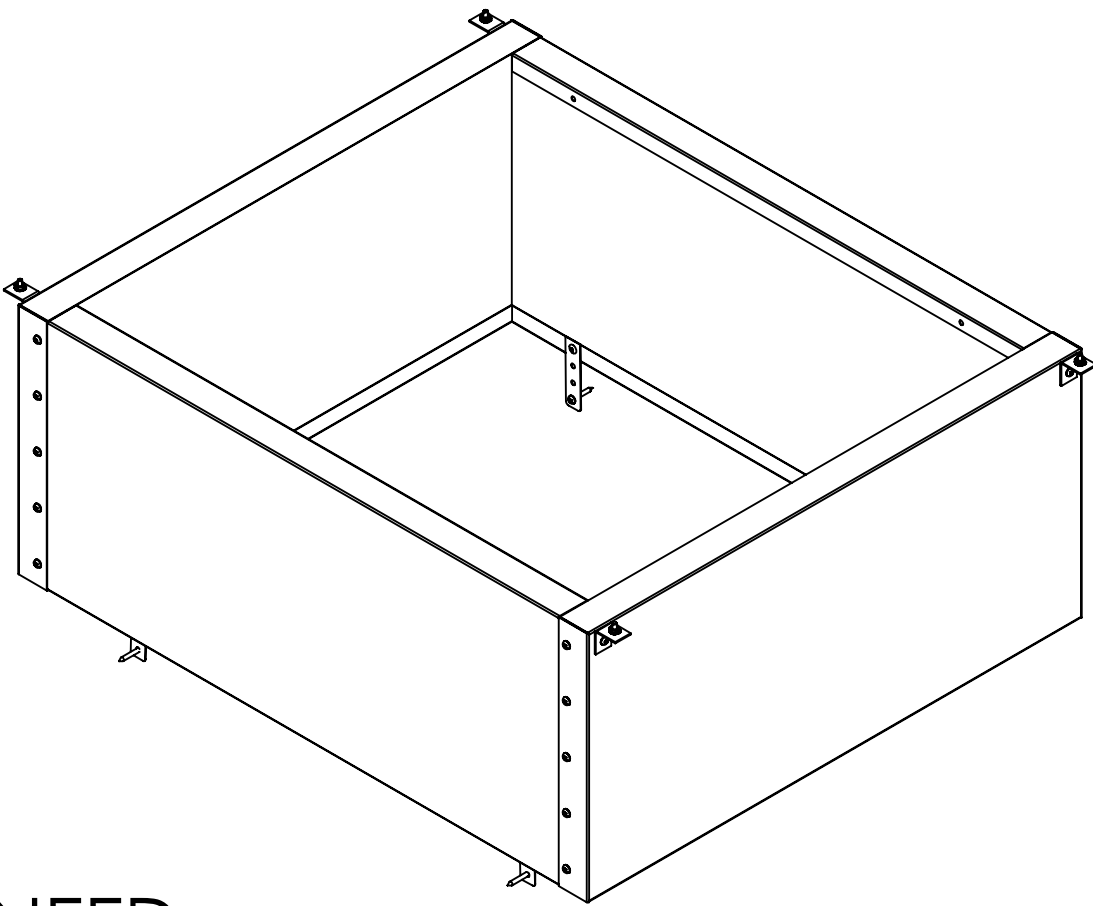


# Assembly Instructions

# Acoustical Plenum Kit, PAL26

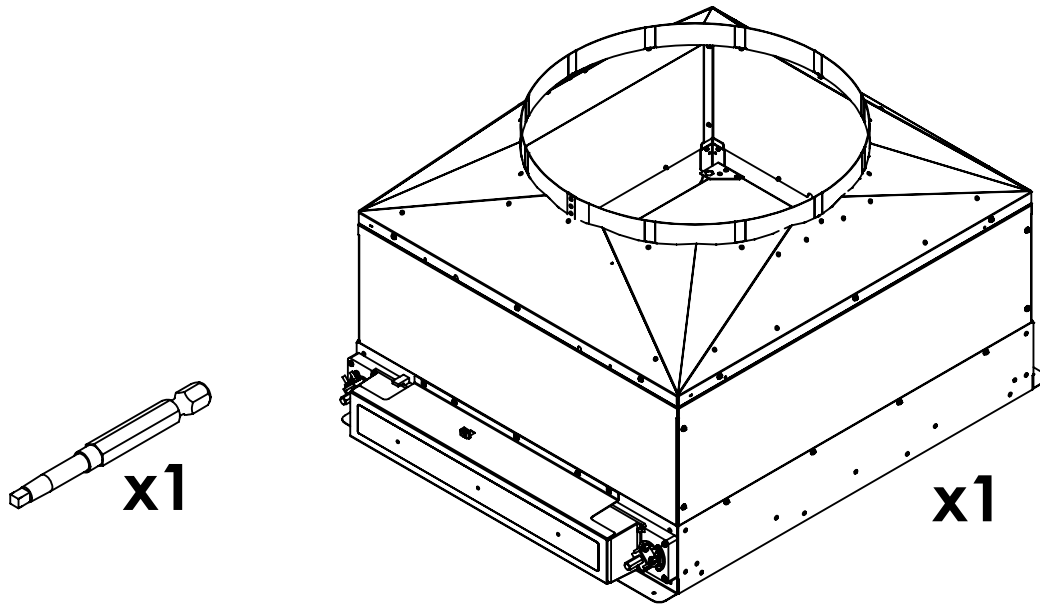
Thank you for your purchase

## ACP2 Acoustical Plenum for PAL26

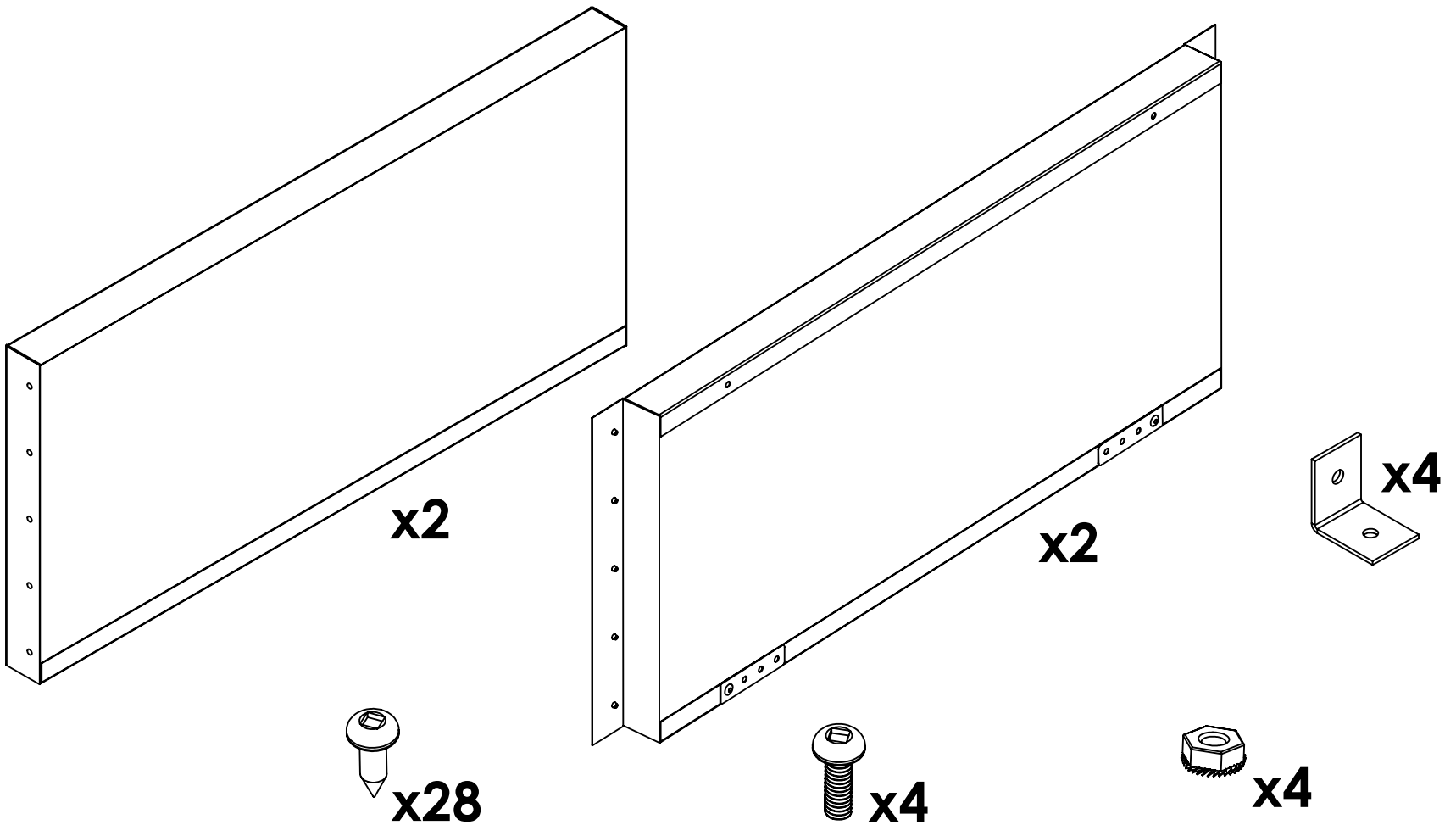


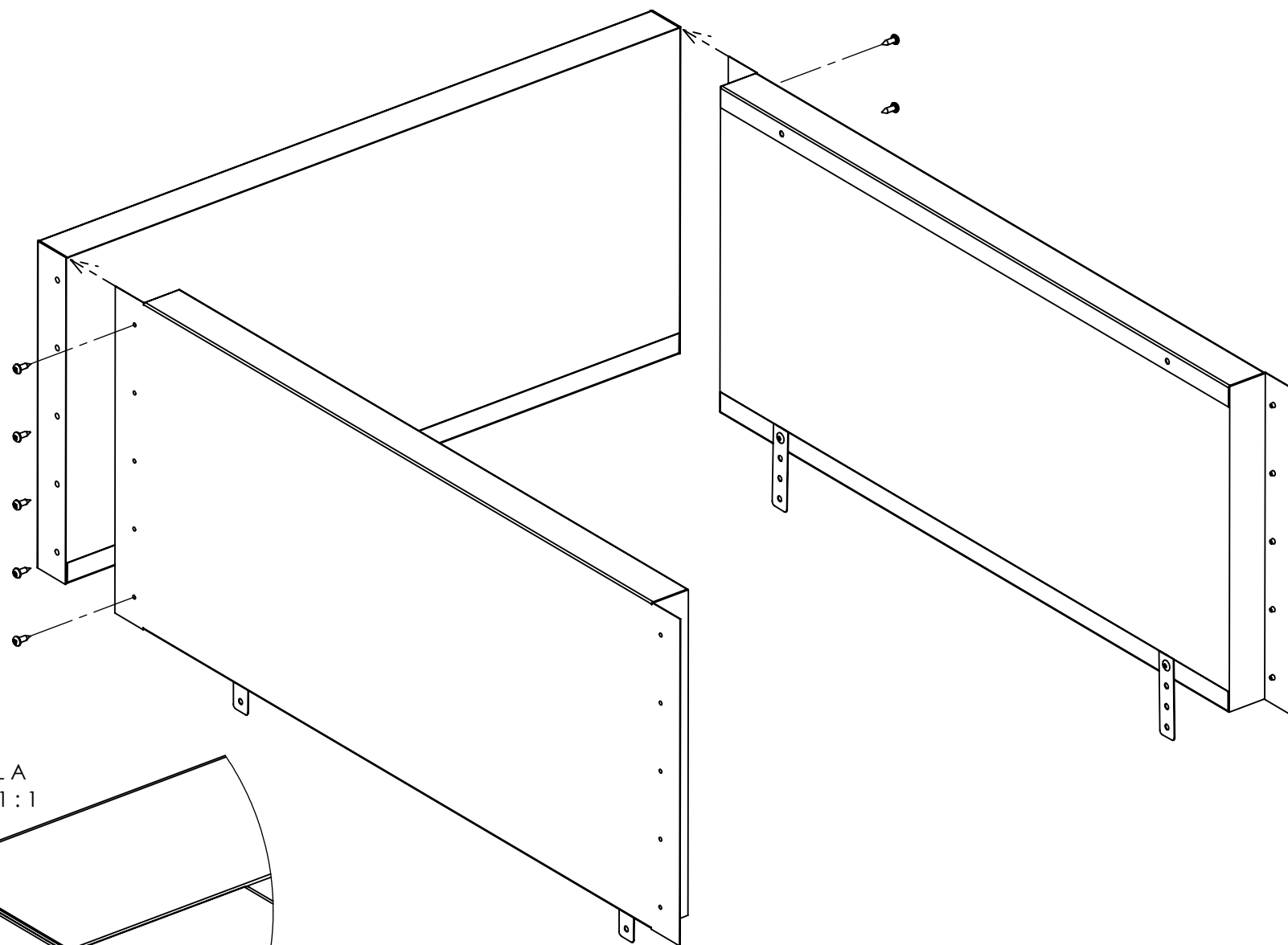
**NEED:**

*Included with PAL26 unit, not this kit*

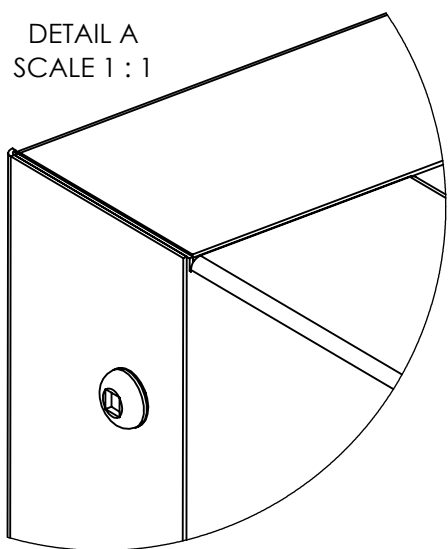


*- Included in this kit -*

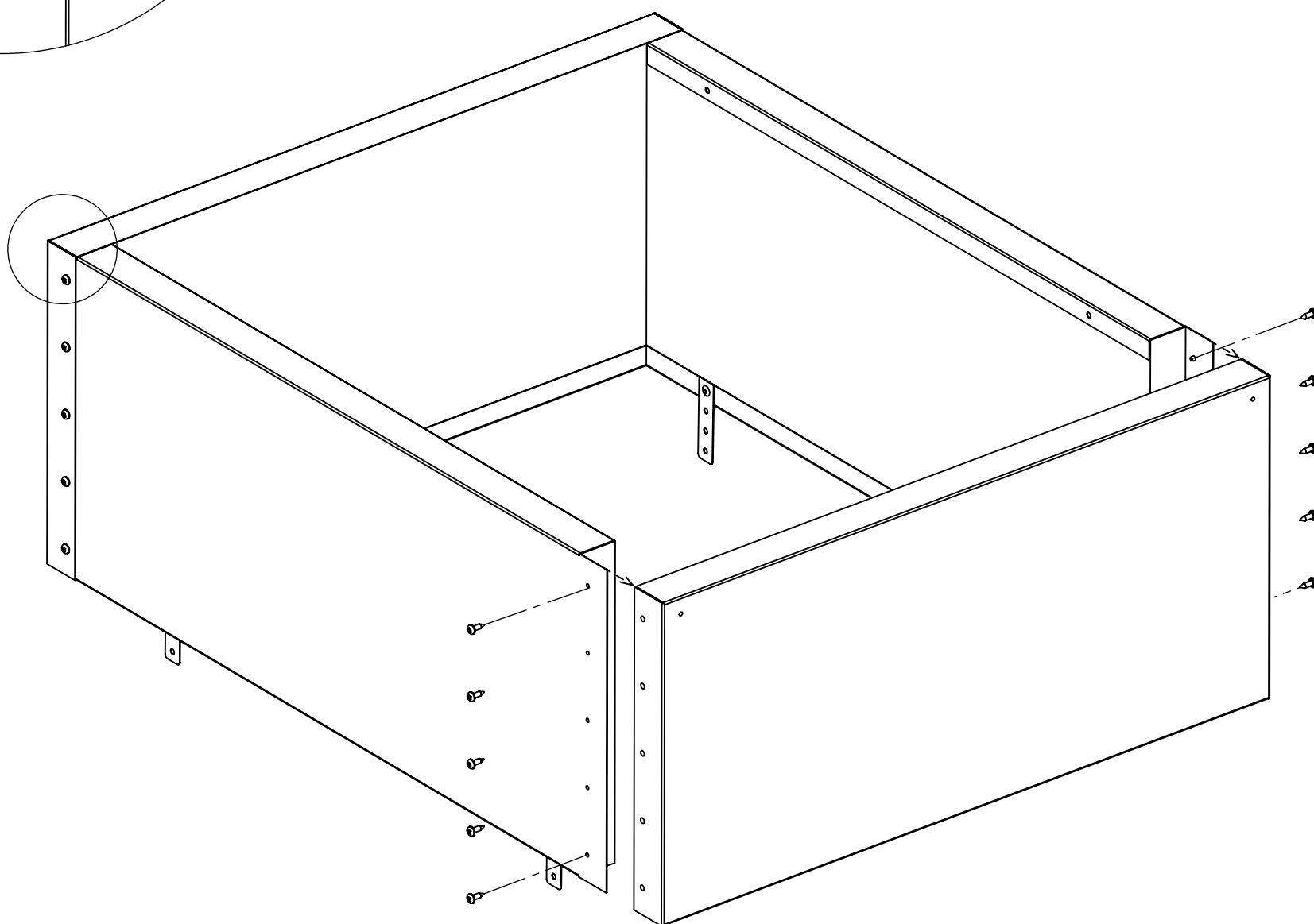




DETAIL A  
SCALE 1 : 1

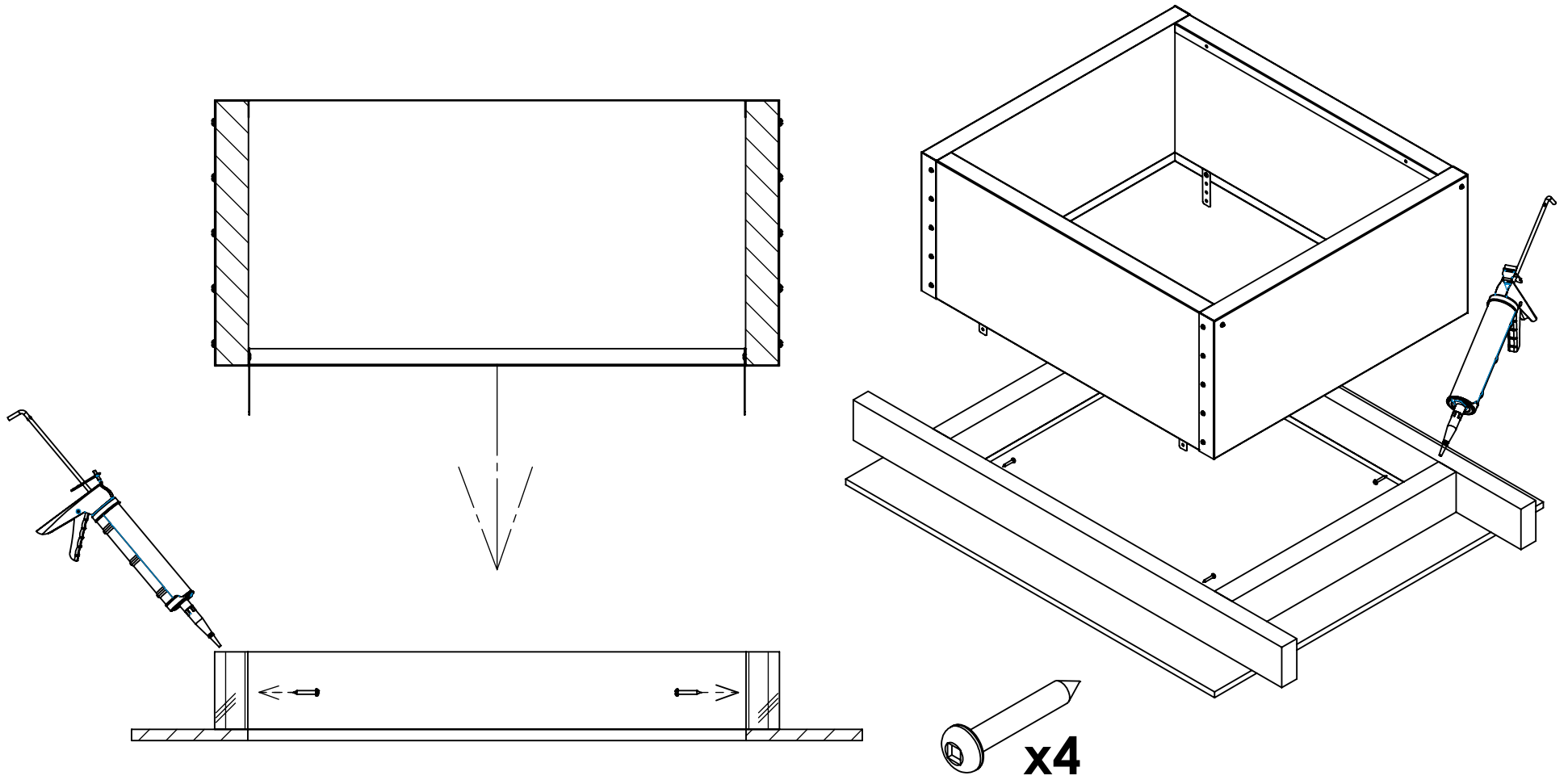


A



# Assembly Instructions

# Acoustical Plenum Kit, PAL26



## PAL14 Installation

