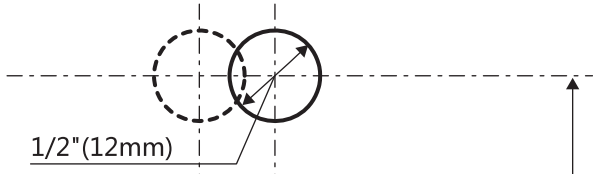
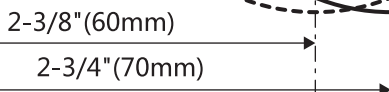
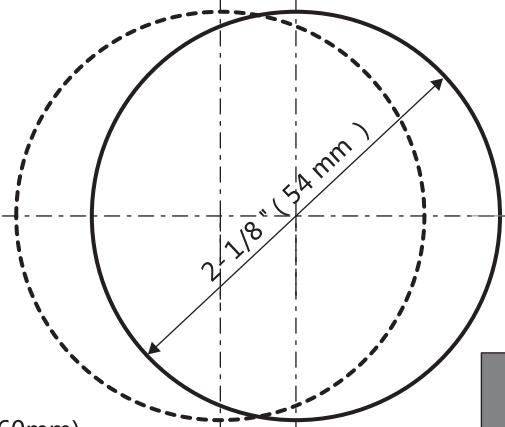
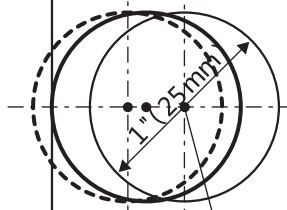
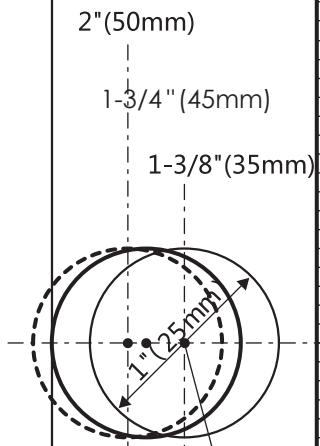
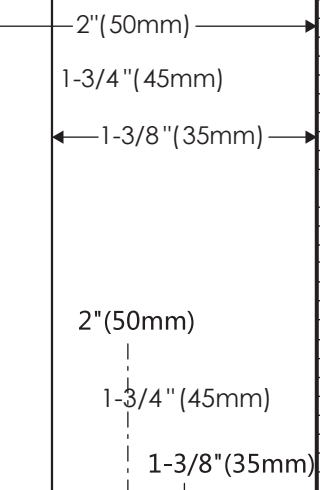


Door edge

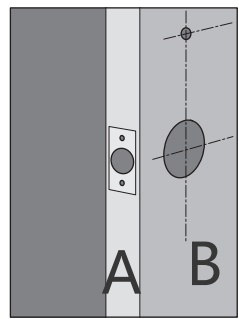
Drilling a hole is not required. Stabilizing the lock with 3M Double Sided tape is sufficient, as it is secured on the bottom. However, if you wish to drill a hole for added stability, you may use this guide for assistance.

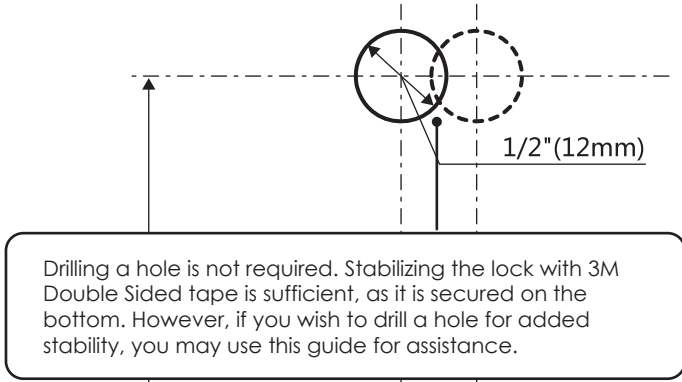
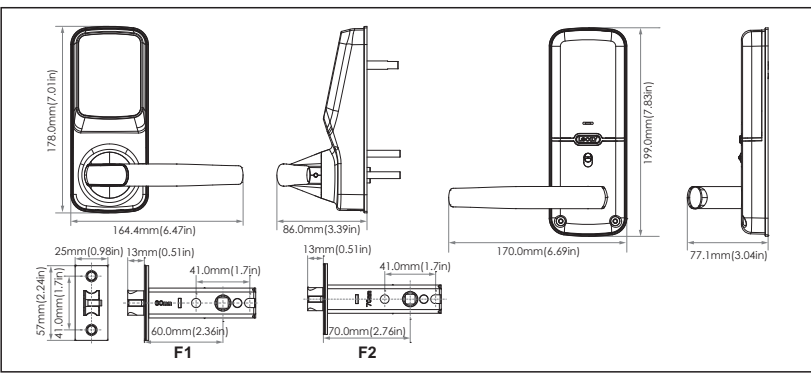


4-7/50" (105mm)

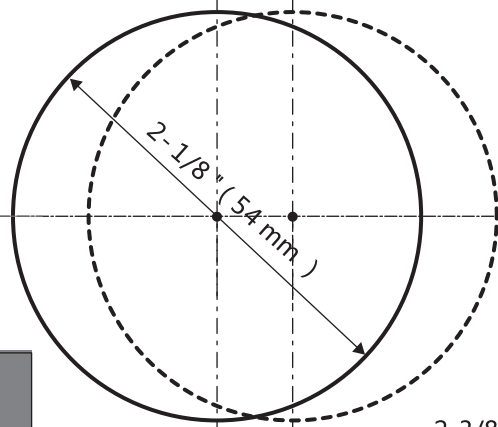


Adjust according to the door thickness  
1-3/8" ~ 2" (35mm~50mm)





4-7/50" (105mm)



Adjust according to the door thickness  
1-3/8" ~ 2" (35mm~50mm)

