

INSTALLATION GUIDE



LOCKLY **ATHENA** 228SL | 228SW

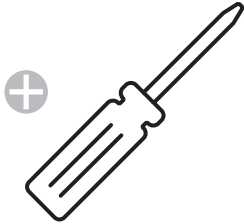
SLIDE EDITION | SWING EDITION
NARROW STILE MORTISE SMART LOCK

LOCKLY
Enjoy the freedom™

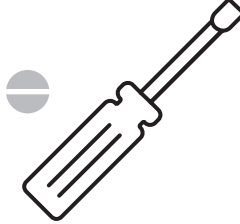
Preparation

To complete the installation you will need:

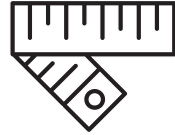
Phillips Screwdriver



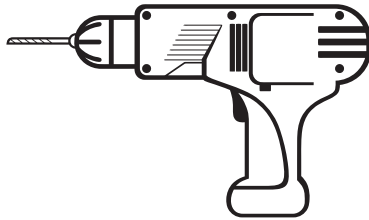
Flathead Screwdriver



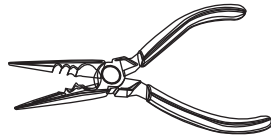
Tape measure or ruler



Optional



Screwdriver with drill bits

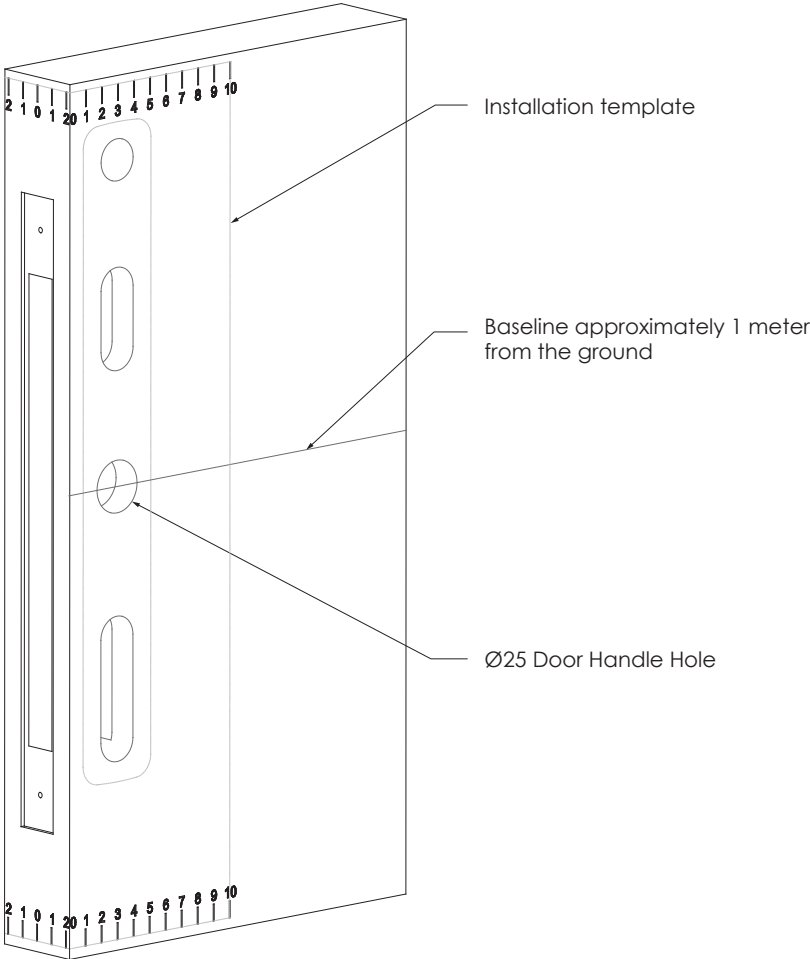


Pliers

Drilling maybe required to install this lock. If you are installing your lock on a brand new door, a drill is required if there are no holes prepared for lock installation. Use provided template to bore holes on door.

Preparation

Prepare door: Remove existing deadbolt or use provided template to bore new holes.



Step 1

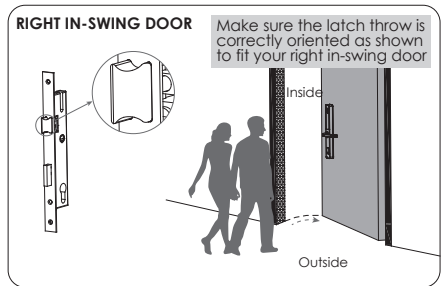
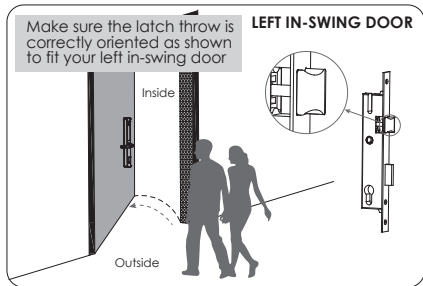
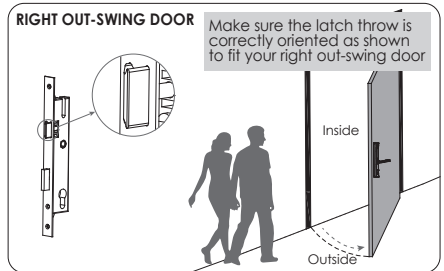
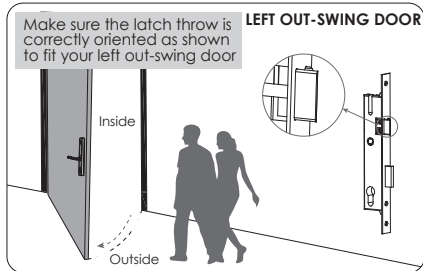
DETERMINE DOOR OPENING DIRECTION

There are 4 common door-opening directions, the lockset configuration as shown on each diagram below corresponds to the respective door-opening direction.



QUICK TIP

If you're installing a Slide Edition, skip these steps and proceed to **Step 3**



IMPORTANT

This lock is designed for 35-65mm Wooden or Aluminium Door or Aluminium Thermal Barrier Door. If your door is outside the range of the list above please contact our Customer hotline: (852) 5625-2000



QUICK TIP

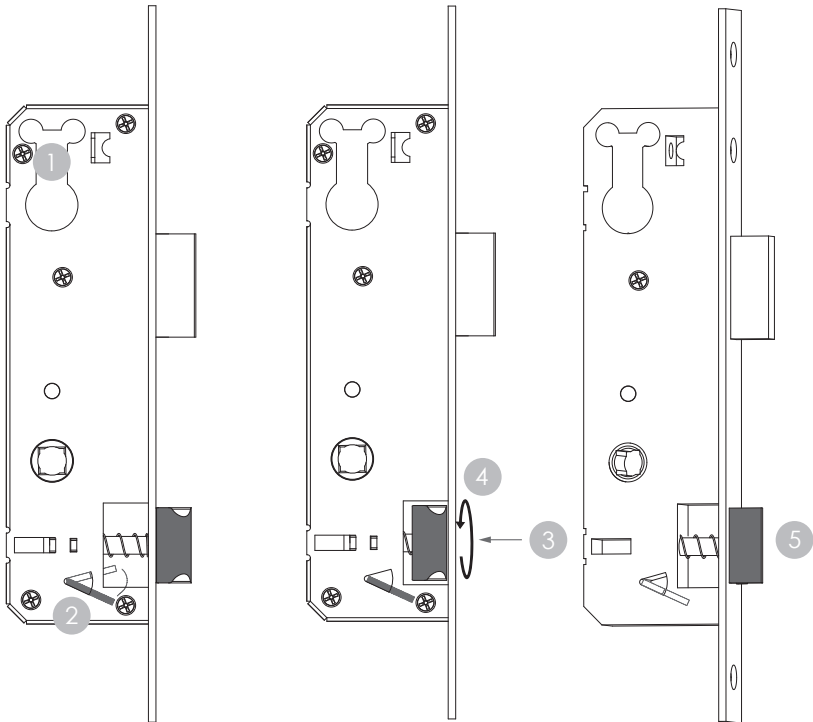
Before installing the key cylinder and spindle, make sure you have already adjusted your Latch throw (Step 2) and door handle (Step 3) according to door opening direction.

Follow the below steps if you're installing ATHENA SWING EDITION with Mortise lockset model/backset size: **PGMB118 1-1/8" (28mm)**, **PGMB138 1-3/8" (35mm)**, **PGMB158 1- 5/8" (40mm)**, **PGMB134 1-3/4" (45mm)**, **PGMB238 2-3/8" (60mm)**.

Lockset ships default for RIGHT IN-SWING or LEFT OUT-SWING DOORS. Skip this procedure if your door orientation is as stated. See Step 1 to determine your door opening direction.

Follow the step by step direction to adjust the lockset for LEFT IN-SWING or RIGHT OUT-SWING DOORS.

- 1 Position and hold the lockset as shown.
- 2 Move the metal barrier to loosen the latch throw
- 3 Push the latch throw inside the lockset body.
- 4 Rotate the latch throw 180 degrees and allow the throw to fully extend out from the lockset after rotation.
- 5 For your reference, a fully reversed latch throw is shown.

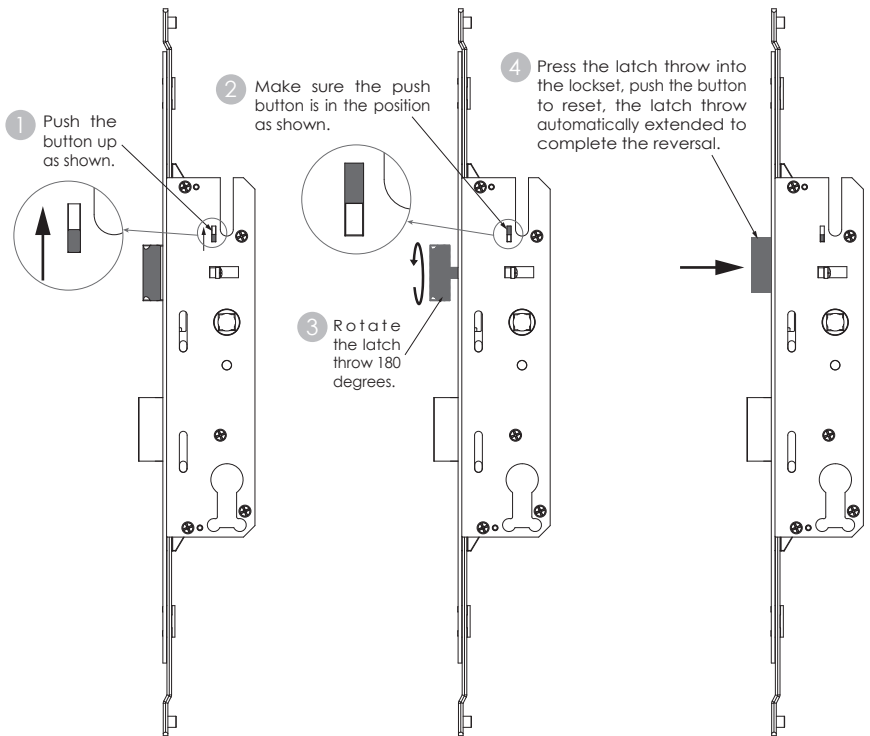


If you're installing a Slide Edition skip this step and proceed to **Step 3**.
 If you're installing a Multi-Point Lockset for a Swing Edition, see next page to adjust the latch throw.

For ATHENA SWING EDITION with Multi-point lockset model/backset size:
PGMB138H 1-3/8" (35mm), PGMB158H 1-5/8" (40mm), PGMB134H 1-3/4" (45mm).

Default setting for these lockset models is for RIGHT IN-SWING or LEFT OUT-SWING DOORS. Skip this procedure if your door orientation is as stated. See Step 1 to determine your door direction.

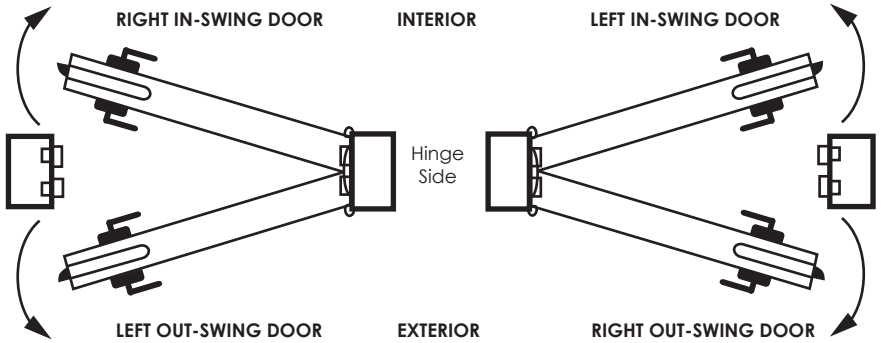
Follow the step by step direction to adjust the lockset for LEFT IN-SWING or RIGHT OUT-SWING DOORS.



Step 3

CHANGING HANDLE FOR RIGHT OR LEFT SWING DOORS

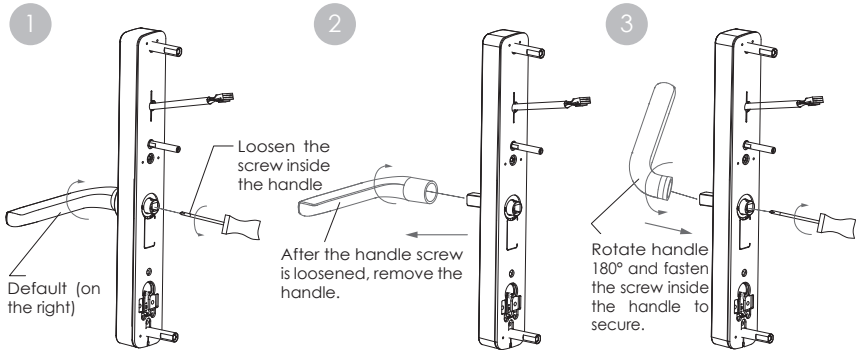
The lock ships with handle default for right in-swing or left out-swing door. Check the diagram below if you are unsure of your door orientation.



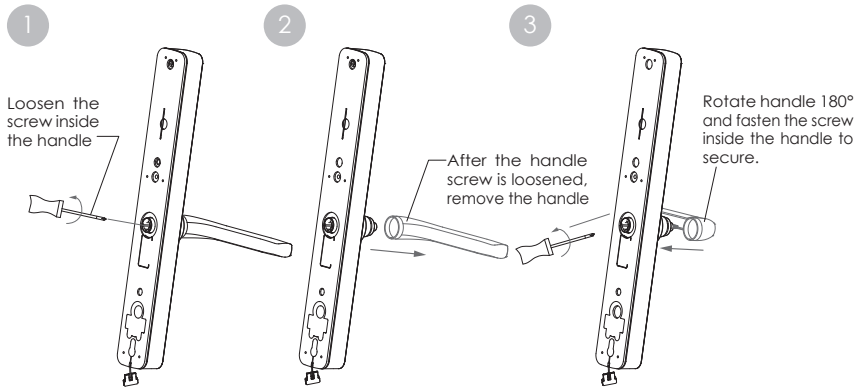
No need to change door handle orientation. Skip Step 3.

LEFT-IN SWING and RIGHT OUT-SWING DOORS require changing the door handle orientation. Continue to follow Step 3 to change exterior and interior door handle orientation.

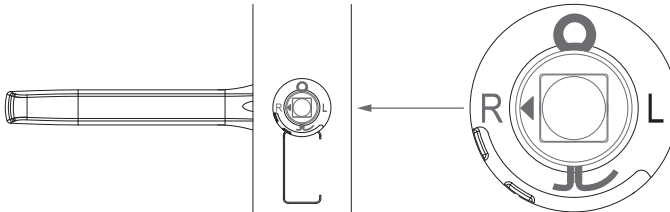
Change the handle direction of the Exterior Assembly



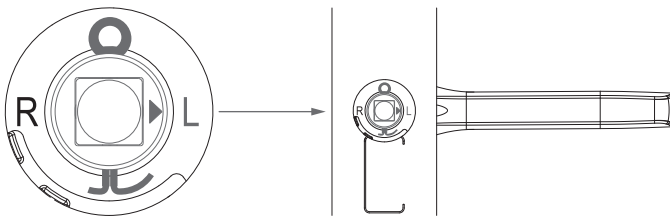
Change the handle direction of the Interior Assembly



For Right swing door align handle to "R"



For Left swing door align handle to "L"



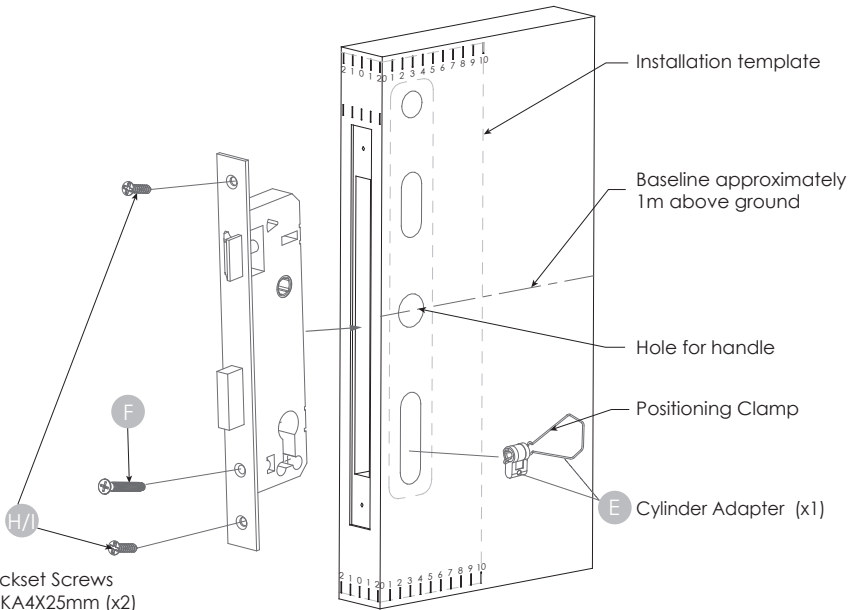
Ensure the handle is correctly positioned according to desired direction (L/R)

Step 4

INSTALLING THE LOCKSET

Make sure your door is prepared for installation. If you need to drill new holes, please use the supplied template for drilling holes. Before installing the Lockset (S), confirm the door opening direction (Step 1) and ensure latch throw inclined part is positioned opposite to the opening direction.

Insert Lockset onto door hole and secure with screws (H) (top and bottom) & (F).



Lockset Screws
H: KA4X25mm (x2)
I: KA4X16mm (x2)

Select "I" when installing PGMB118
and "H" for other models

Adapter Positioning Screw (F) (x1)

KM5x35mm

PGMB118 1-1/8" (28mm)
PGMG118 1-1/8" (30mm)
PGMG118H 1-1/8" (30mm)

KM5x40mm

PGMB138 1-3/8" (35mm)
PGMB138H 1-3/8" (35mm)
PGMG138 1-3/8" (35mm)
PGMG138H 1-3/8" (35mm)

KM5x45mm

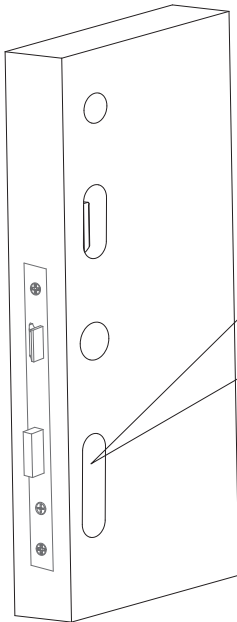
PGMB158 1-5/8" (40mm)
PGMB158H 1-5/8" (40mm)

KM5x50mm

PGMB134 1-3/4" (45mm)
PGMB134H 1-3/4" (45mm)

KM5x65mm

PGMB238 2-3/8" (60mm)



1

E Cylinder Adapter (x1)

Insert cylinder adapter **E** make sure the arrow (marked area) is at the bottom as shown.

2

Use positioning clamp to hold the cylinder adapter in "+" position.

3

Once cylinder adapter is secured, remove positioning clamp by pressing on both sides.

4

To check if the cylinder adapter is properly installed, insert a phillips screwdriver. Turn clockwise and counter clockwise to check if the deadbolt and latch throw fully extend and retract. You may need to adjust the position of the adapter if the deadbolt and latch throw are not fully extending and retracting.

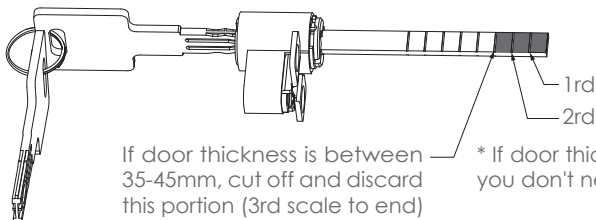
Step 5

ATTACHING EXTERIOR ASSEMBLY INSTALLATION PARTS

Before installing the key cylinder, make sure your door handle have been adjusted to your door opening direction, see **Step 2**.

Install Key Cylinder

1. Measure door thickness and cut off the key cylinder blade (if necessary).



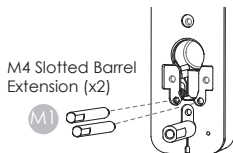
If door thickness is between 35-45mm, cut off and discard this portion (3rd scale to end)

* If door thickness is more than 45mm, you don't need to cut the blade.

2. Insert key cylinder to exterior panel.

3. Secure the cylinder with screws (x2) on both sides.

4. Insert M4 slotted barrel extension according to lockset dimension.



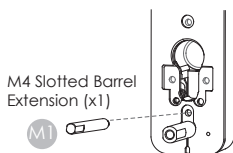
For Athena Swing Edition with locksets:

PGMB158 1 5/8" (40mm) and PGMB134 1 3/4" (45mm);

For Athena Slide Edition with locksets:

PGMB138H 1 3/8" (35mm), PGMB158H 1 5/8" (40mm),

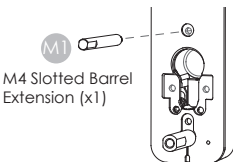
PGMB134H 1 3/4" (45mm)



For Athena Swing Edition with locksets:

PGMB118 1 1/8" (28mm) and

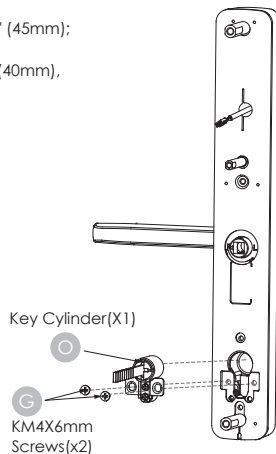
PGMB138 1 3/8" (35mm)

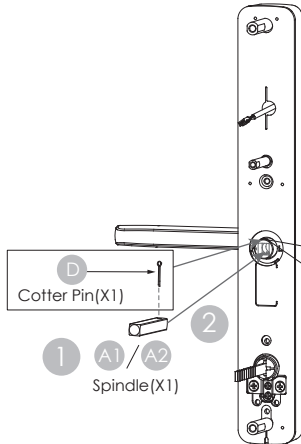


For Athena Slide Edition with locksets:

PGMG118 & PGMG118H 1 1/8" (30mm),

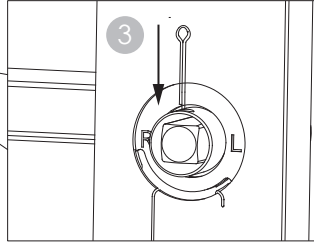
PGMG138 and PGMG138H 1 3/8"(35mm)



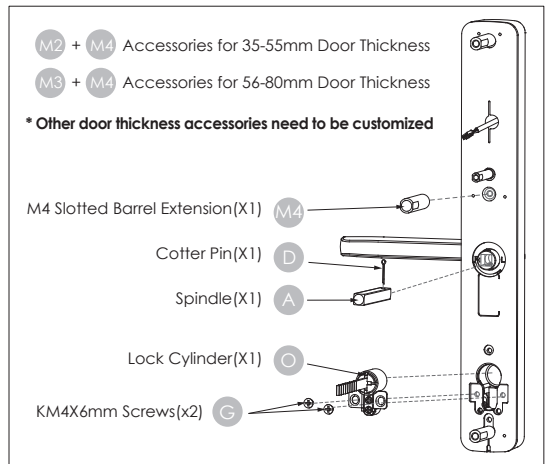


Install Spindle A

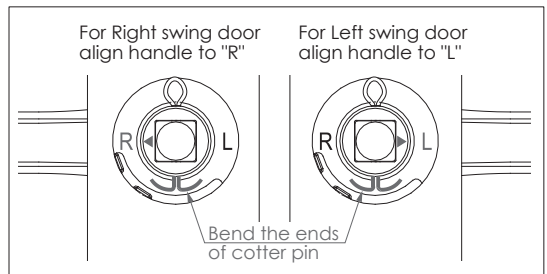
1. Select spindle A1/A2 according to door thickness.
A1 Door Thickness 35-50mm: Spindle 62mm (x1)
A2 Door Thickness 51-65mm: Spindle 77mm (x1)
2. Install at the center hole of the exterior assembly.
3. Insert cotter pin and bend both ends.



The illustration on the right applies for lockset : PGMB238 2 3/8" (60mm), Athena Swing Edition.



IMPORTANT
 Ensure the handle is correctly positioned according to desired direction (L/R) before bending the ends of the cotter pin.



Step 6

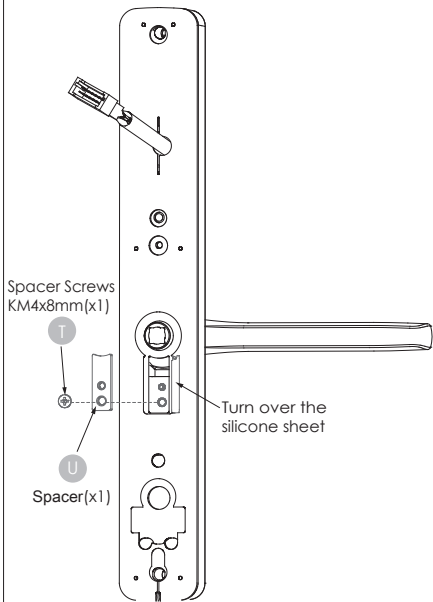
ATTACHING INTERIOR ASSEMBLY PARTS



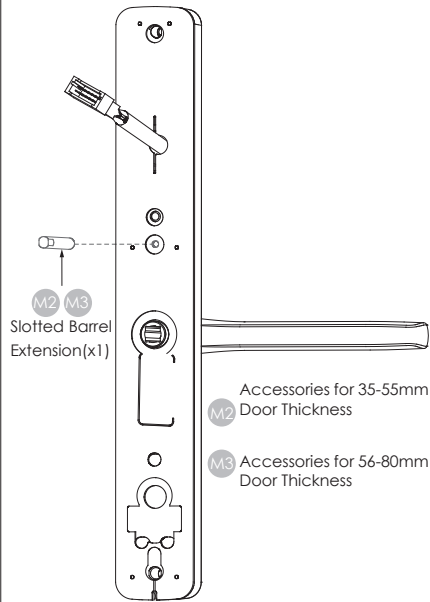
The steps below will only apply for Swing Edition locksets. If you are installing Slide Edition locksets, please skip these steps and proceed to Step 6 to install the exterior and interior assemblies.

Before installing the key cylinder, make sure your door handle have been adjusted to your door opening direction, see Step 2.

The illustration below applies for All Athena Swing Edition lockset : **PGMB118 1 1/8" (28mm)**, **PGMB138 1 3/8" (35mm)**, **PGMB158 1 5/8" (40mm)**, **PGMB134 1 3/4" (45mm)**.



The illustration below applies for lockset : **PGMB238 2 3/8" (60mm)**, Athena Swing Edition. Please skip this step for lock bodies of other specifications.

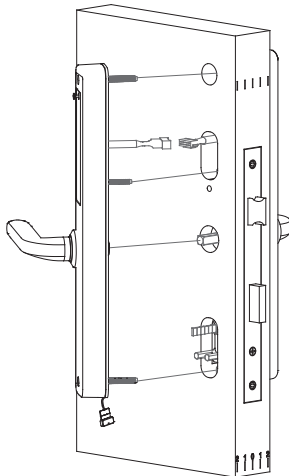
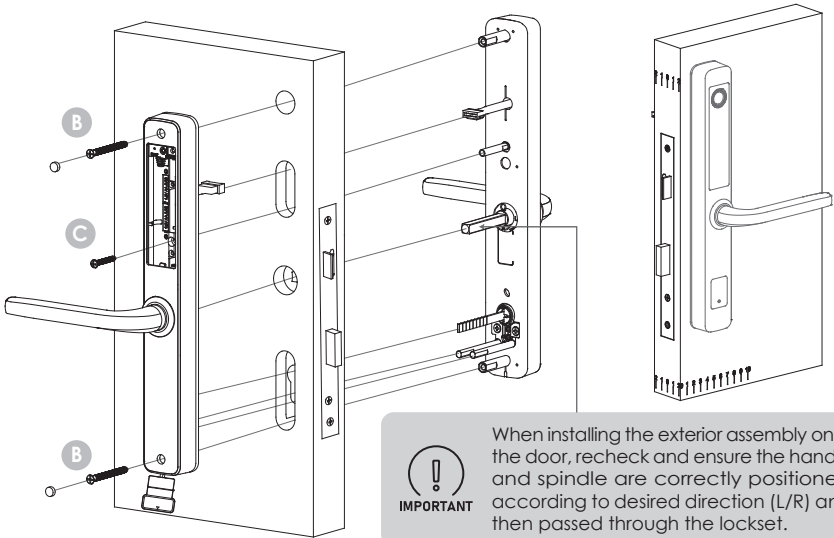


When installing PGMB238 2-3/8" (60mm) lockset, assemble interior panel with **M2** or **M3**

Step 7

INSTALLING THE EXTERIOR AND INTERIOR ASSEMBLY

Install the exterior assembly onto door. Ensure the spindle, lock cylinder, positioning rods and cable are inserted on the correct holes and passed through the lockset.



Plug the connection cable of the exterior assembly to cable of the interior assembly. Once connected, insert cable to the door frame holes.

Install the interior assembly and secure with screws **B** and **C**

Ensure the cables are completely flush flat on the door surface. Use screw caps N to cover B screws.

Escutcheon Screw (x2) **B**

Door Thickness 35-50mm: KM5x46mm

Door Thickness 51-65mm: KM5x61mm

Door Thickness 66-80mm: KM5x76mm

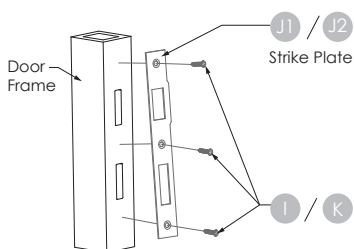
Escutcheon Screw(x1) **C**

Door Thickness 35-50mm: PM4x28mm

Door Thickness 51-65mm: PM4x43mm

Door Thickness 66-80mm: PM4x58mm

Wood/Aluminum door frames (For Swing Edition locksets)



Wood/aluminum door frames requires drilling. Use template to drill holes and install the strike plate and secure the strike with screws.

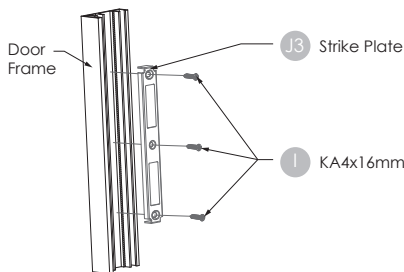
If **J1** gusset plate is used, it shall be equipped with **I** screw.

If **J2** gusset plate is used, please use it with **K** screw.

I KA4x16mm Screws(X4)

K KA3x16mm Screws(X4)

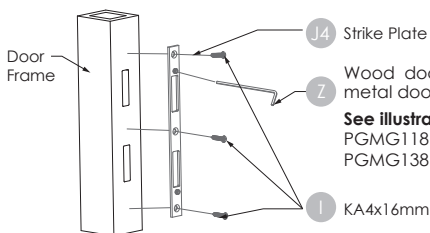
Broken bridge aluminum (For Swing Edition locksets)



Broken bridge aluminum do not require drilling to install strike plate, directly install onto door frame and secure with screws.

I KA4x16mm Screws(X4)

Wood/Aluminum door frames (For Slide Edition locksets)



Wood door frame or non-broken bridge aluminum metal door frame require drilling template.

See illustration on the left for locksets:

PGMG118 1-1/8" (30mm), PGMG118H 1-1/8" (30mm), PGMG138 1-3/8" (35mm), PGMG138H 1-3/8" (35mm)

I KA4x16mm Screws(X4)

Allen wrench 2.5mm (x1)

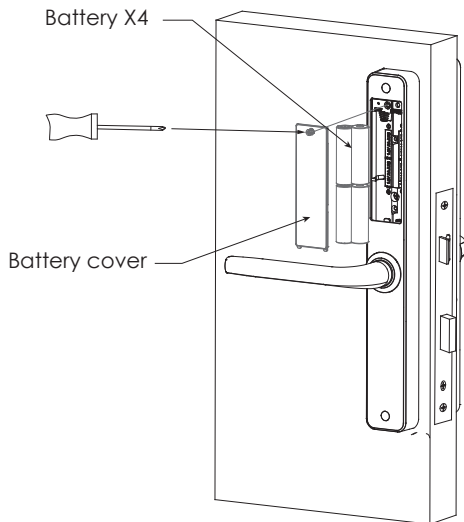
When the strike plate is fixed on the door frame, the 2 screws should be adjusted to the inner side of the unlocking hook about 1-2mm. After the screws are locked, the surface of the exposed screws should not be lower than the surface of the strike plate.

While you are inside the house, try to close and open the door. Check if the deadbolt and latchbolt fits the door frame holes and the door closes properly.

Step 9

FINAL CHECK AND BATTERY INSTALLATION

1. Open the battery compartment and insert 4 AA batteries. Make sure the batteries are correctly positioned.



2. Check the lock functions according to user manual after installing the batteries. Use the battery cover to secure the battery compartment and fasten with screw.

3. Use silicone screw caps **N** to cover **B** screws.



QUICK TIP

Confirm that the installation is successful and the lock functions are working normal before fastening the silicone plug.

Congratulations! You have completed the Lockly physical lock installation. To complete your setup, download the Lockly App from the iOS or Google Play app Store and follow on-screen instructions.

**Scan or visit
hk.lockly.com/app**



FCC Warning:

This device complies with Part 15 of the FCC Rules. Operation is subject to the following two conditions: (1) This device may not cause harmful interference, and (2) this device must accept any interference received, including interference that may cause undesired operation.

NOTE 1: This equipment has been tested and found to comply with the limits for a Class B digital device, pursuant to part 15 of the FCC Rules. These limits are designed to provide reasonable protection against harmful interference in a residential installation. This equipment generates, uses and can radiate radio frequency energy and, if not installed and used in accordance with the instructions, may cause harmful interference to radio communications. However, there is no guarantee that interference will not occur in a particular installation. If this equipment does cause harmful interference to radio or television reception, which can be determined by turning the equipment off and on, the user is encouraged to try to correct the interference by one or more of the following measures:

- Reorient or relocate the receiving antenna.
- Increase the separation between the equipment and receiver.
- Connect the equipment into an outlet on a circuit different from that to which the receiver is connected.
- Consult the dealer or an experienced radio/TV technician for help.

NOTE 2: Any changes or modifications to this unit not expressly approved by the party responsible for compliance could void the user's authority to operate the equipment.

FCC Radiation Exposure Statement

This equipment complies with FCC radiation exposure limits set forth for an uncontrolled environment. It should be installed and operated with minimum distance 20cm between the radiator & your body.

IC WARNING

This device contains licence-exempt transmitter(s) that comply with Innovation, Science and Economic Development Canada's licence-exempt RSS(s). Operation is subject to the following two conditions:

- (1) This device may not cause interference.
- (2) This device must accept any interference, including interference that may cause undesired operation of the device.

L'émetteur/récepteur exempt de licence contenu dans le présent appareil est conforme aux CNR d'Innovation, Sciences et Développement économique Canada applicables aux appareils radio exempts de licence. L'exploitation est autorisée aux deux conditions suivantes:

1. L'appareil ne doit pas produire de brouillage;
2. L'appareil doit accepter tout brouillage radioélectrique subi, même si le brouillage est susceptible d'en compromettre le fonctionnement.

IC Radiation Exposure Statement

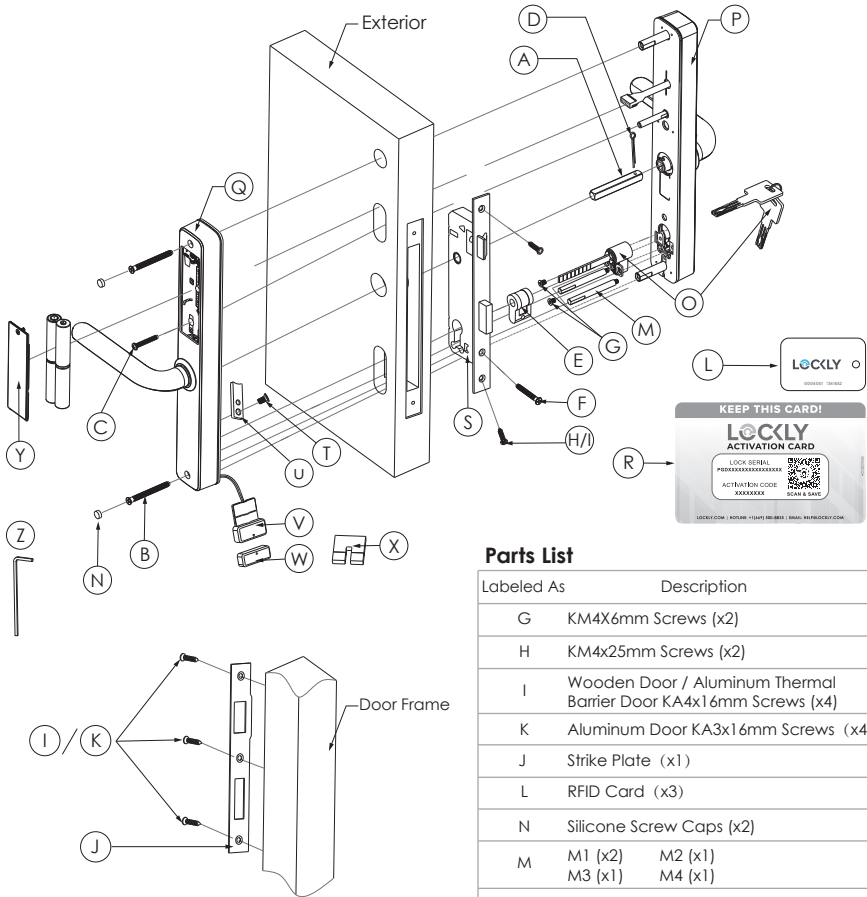
This equipment meets the exemption from the routine evaluation limits in section 2.5 of RSS-102. It should be installed and operated with a minimum distance of 20cm between the radiator and any part of your body.

Cet équipement est conforme à l'exemption des limites d'évaluation habituelle de la section 2.5 de la norme RSS-102. Il doit être installé et utilisé à une distance minimale de 20 cm entre le radiateur et toute partie de votre corps



WARNING: This product can expose you to chemicals including Lead, which is known to the State of California to cause cancer. For more information go to www.P65Warnings.ca.gov.

INSTALLATION OVERVIEW AND PARTS LIST



Parts List


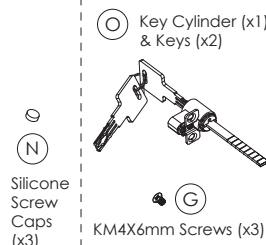

| Labeled As | Description |
|------------|---|
| A | Spindle (x1) A1 Door Thickness 35-50mm: Spindle 62mm (x1) A2 Door Thickness 51-65mm: Spindle 77mm (x1) |
| B | Escutcheon Screw (x2) Door Thickness 35-50mm: KM5x46mm Door Thickness 51-65mm: KM5x61mm Door Thickness 66-80mm: KM5x76mm |
| C | Escutcheon Screw (x1) Door Thickness 35-50mm: PM4x28mm Door Thickness 51-65mm: PM4x43mm Door Thickness 66-80mm: PM4x58mm |
| D | Cotter Pin (x1) |
| E | Cylinder Adapter & Clamp (x1) |
| F | Adapter Positioning Screw (x1) |

Parts List

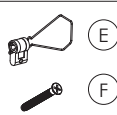

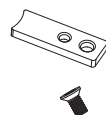


| Labeled As | Description |
|------------|--|
| G | KM4X6mm Screws (x2) |
| H | KM4x25mm Screws (x2) |
| I | Wooden Door / Aluminum Thermal Barrier Door KA4x16mm Screws (x4) |
| K | Aluminum Door KA3x16mm Screws (x4) |
| J | Strike Plate (x1) |
| L | RFID Card (x3) |
| N | Silicone Screw Caps (x2) |
| M | M1 (x2) M2 (x1) M3 (x1) M4 (x1) |
| O | Key Cylinder (x1) + Keys (x2) |
| P | Exterior Assembly |
| Q | Interior Assembly |
| R | Activation Card |
| S | Mortise Lockset |
| T | KM4X8mm Screws (x1) |
| U | Spacer (x1) |
| V | Wired Sensor |
| W | Sensor Magnet |
| X | Foam Pads |
| Y | Battery cover |
| Z | Allen Wrench (x1) |
| Z1 | Mounting Screws (x2) |

INSTALLATION OVERVIEW AND PARTS LIST

Can be used for either Slide or Swing Edition (part included as per door thickness specification (A or B))
















| | | | | |
|---|--|--|--|---|
| <p>(A) For 35-50mm Door Thickness</p>  <p>62mm Spindle (x1) PM4x28mm (x2) Escutcheon Screw KM5x46mm (x3) Escutcheon Screw Cotter Pin (x1)</p> | | | |  <p>Key Cylinder (x1) & Keys (x2)</p> <p>Silicone Screw Caps (x3)</p> <p>KM4X6mm Screws (x3)</p> |
| <p>(B) For 50-65mm Door Thickness</p>  <p>77mm Spindle (x1) PM4x43mm (x2) Escutcheon Screw KM5x61mm (x3) Escutcheon Screw Cotter Pin (x1)</p> | | | | |
| <p>NOTE: B1/C1/B2/C2/G/N The extra 1PCS samples are spare parts;</p> | | | | |

Included part as per Mortise Lockset specification

| | |
|--|---|
|  <p>(E) Cylinder Adapter & Clamp (x1)</p> <p>(F) Adapter Positioning Screw (x1)</p> <p>KM5x35mm: PGMB118 1 1/8" (28mm) PGMG118 1 1/8" (30mm) PGMG118H 1 1/8" (30mm)</p> <p>KM5x40mm PGMB138 1 3/8" (35mm) PGMB138H 1 3/8" (35mm) PGMG138 1 3/8" (35mm) PGMG138H 1 3/8" (35mm)</p> <p>KM5x45mm PGMB158 1 5/8" (40mm) PGMB158H 1 5/8" (40mm)</p> <p>KM5x50mm PGMB134 1 3/4" (45mm) PGMB134H 1 3/4" (45mm)</p> <p>KM5x65mm PGMB238 2 3/8" (60mm)</p> |  <p>(M1) Slotted Barrel Extension (x2)</p> <p>(M1) for 35-80mm door thickness</p> <p>(M1) (x1) for PGD228WSWSS-28 , PGD228WSLSS-35</p> <p>(M1) (x2) for PGD228WSLSS-35, PGD228WSWSS-40</p> |
| <p>Suitable for Swing Edition</p>  <p>(U) Spacer(x1)</p> <p>(T) KM4X8mm Screw(X2)</p> | <p>For PGMB238 2 3/8" (60mm) Lock Body</p>  <p>(M2) Slotted Barrel Extension 30mm(x1)</p> <p>(M3) Slotted Barrel Extension 55mm(x1)</p> <p>(M4) Slotted Barrel Extension 32mm(x1)</p> <p>(M2) + (M4) for 35-55mm door thickness</p> <p>(M3) + (M4) for 56-80mm door thickness</p> |
| <p> QUICK TIP Configure and assemble slotted barrel extensions to suit your door thickness.</p> | |
| <p>NOTE: T The extra 1PCS samples are spare parts.</p> | |

INSTALLATION OVERVIEW AND PARTS LIST

Parts individually packed and included according to door specifications

| Swing Edition Door Strike Kit | | | | | | Slide Edition Door Strike Kit | |
|---|---|---|---|---|---|---|---|
| Wooden Door Frame Strike Plate Kit | | Aluminum Door Frame Strike Plate Kit | | Aluminum Thermal Barrier Door Strike Plate Kit | | | |
|  |  |  |  |  |  |  |  |
| KA4x25mm Screws (x3) | | KA4x25mm Screws (x3) | | KA4x25mm Screws (x3) | | Door Frame snap (x1) | Allen Wrench (x1) |
|  | |  | |  | | | |
| KA4x16mm Screws (x4) | Strike Plate (x1) | KA3x16mm Screws (x4) | Strike Plate (x1) | KA4x16mm Screws (x4) | Strike Plate (x1) | | |
| When PGMB118 is selected, there is no "H" in the accessory package | | | | | | | |
|  | |  | | | |  |  |
| (Z) Allen Wrench (x1) | | (Z1) Mounting Screws (x2) | | | | KA4X25mm Screws(X3) | KA4X16mm Screws (x4) |

LOCKLY GUARD™

FOR COMMERCIAL USE & PROFESSIONAL INSTALLATION



We're here to help!
help@lockly.com
hk.lockly.com/support

© Copyright 2022 Lockly All rights reserved

USA Patent No. US 9,881,146 B2 | USA Patent No. US 9,853,815 B2 | USA Patent No. US 9,875,350 B2 | USA Patent No. US 9,665,706 B2 | USA Patent No. US 11,010,463 B2 | AUS Patent No. 2013403169 | AUS Patent No. 2014391959 | AUS Patent No. 2016412123 | UK Patent No. EP3059689B1 | UK Patent No. EP3176722B1 | Other Patents Pending

MPGD228W20230705