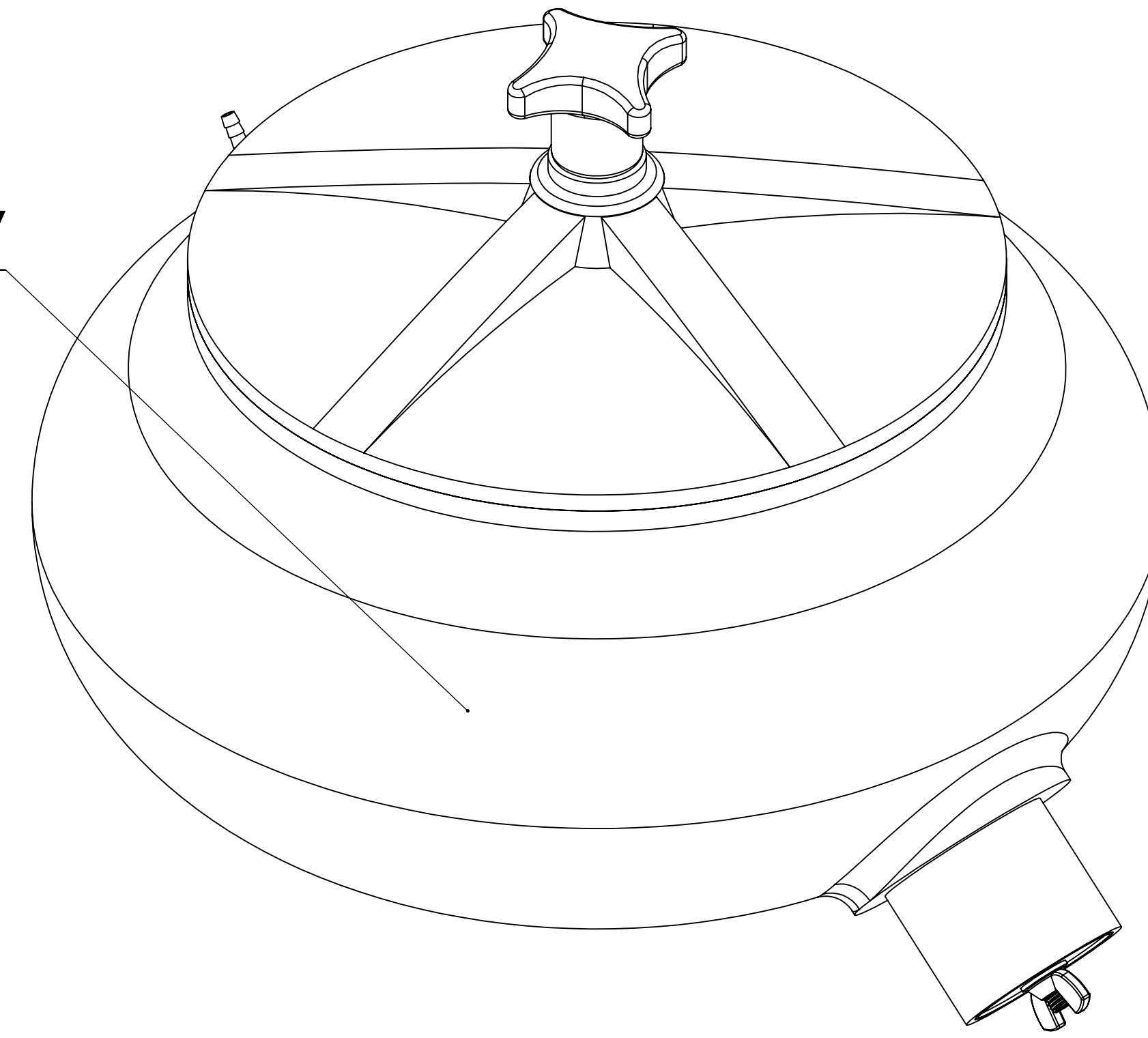


C & M TOPLINE
 5945 Daley Street
 Goleta CA 93117
 1 800 827-1333
 www.cmtoline.com

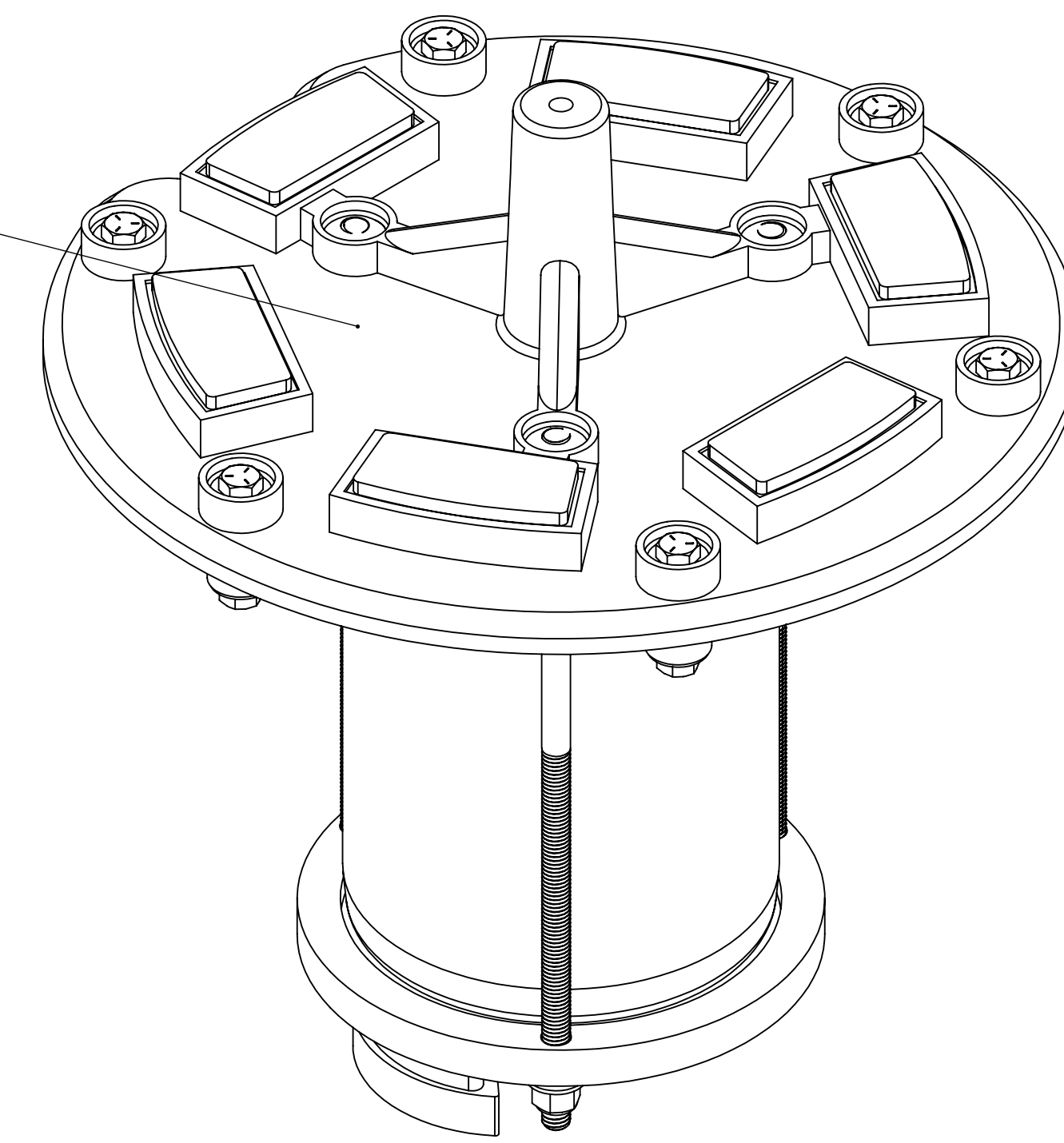
PART NO.	TLV50D000
DESCRIPTION	TLV-50 Vibratory Bowl
	1/2 Cubic Foot

SCALE: 1/2" = 1'-0" SHEET 1 OF 1

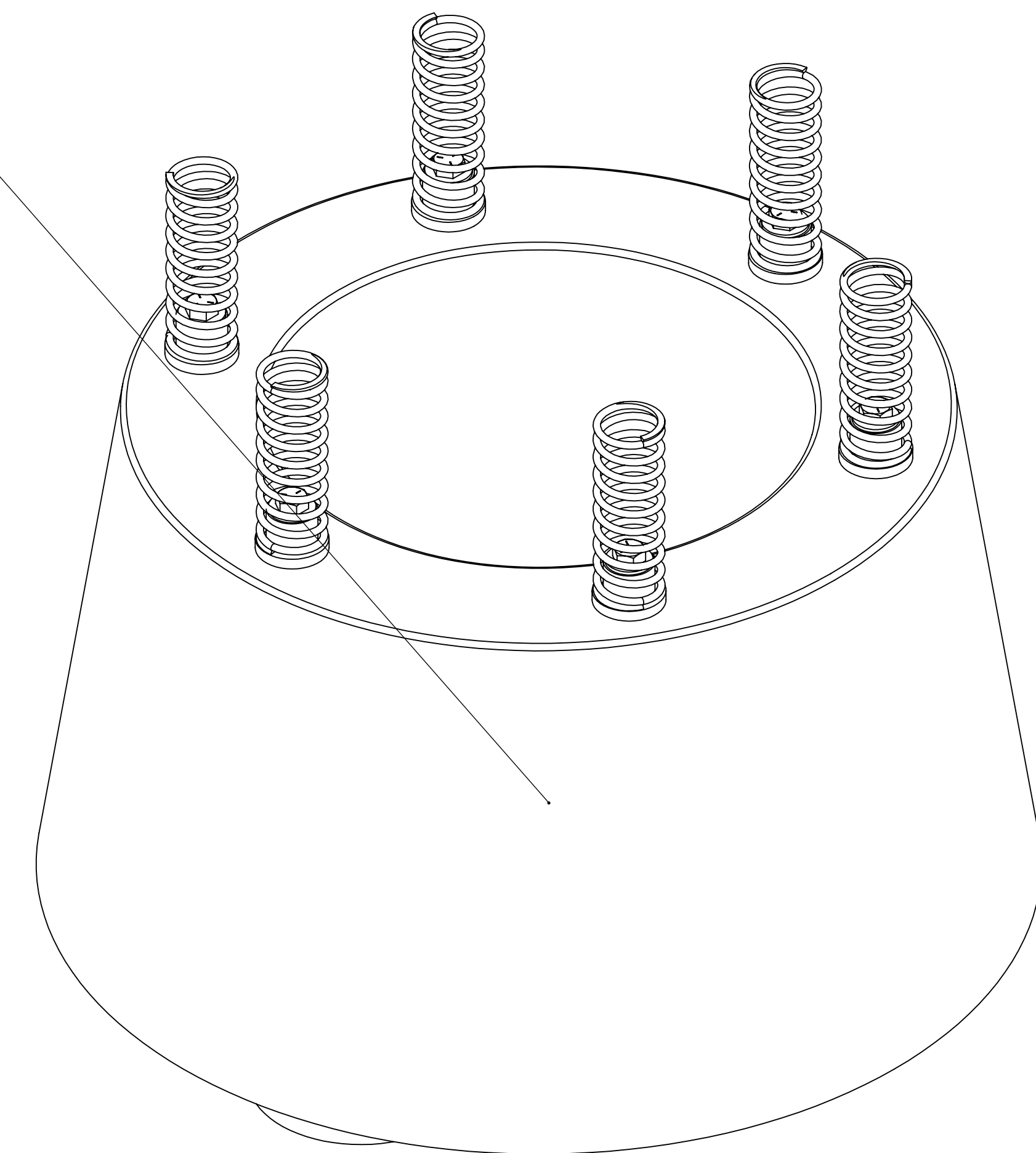
TLV 50 Bowl and Rod Assembly



TLV 50 Base Plate Assembly



TLV 50 Mount Assembly

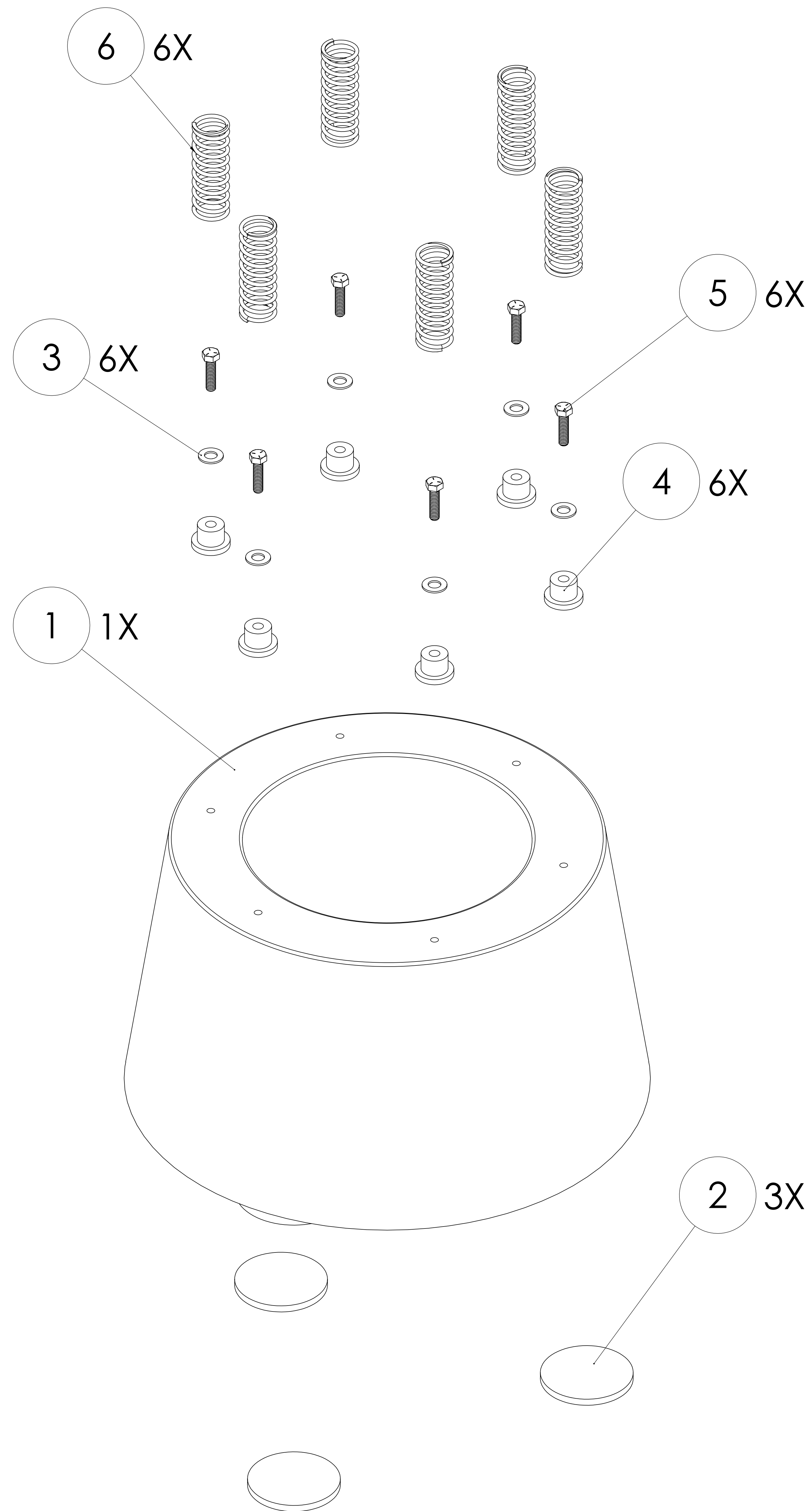


ITEM NO.	DESCRIPTION	QTY.
1	Base Plastic Mount	1
2	Plastic Base Cap	3
3	0.81 Washer	22
4	Plastic Spring End	12
5	5-16 18 1.25 Fully Threaded Screw	6
6	Spring	6
7	TLV 50 Base Plate	1
8	5-16 18 0.5 Hex Nut	6
9	5-16 18 1.75 Partially Threaded Screw	6
10	Motor Plate	1
11	3-8 16 Nylon Insert Locknut	3
12	3-8 16 11 Square Neck Bolt	3
13	Motor Weight A	1
14	Motor Weight B	1
15	1.0 Washer	1
16	0.69 Washer	1
17	1-4 20 Set Screw	1
18	5-16 18 Socket Head Screw	1
19	TLV 75 Motor	1
20	Base Plastic TLV 50	6
21	Base Cap Metal	1
22	1-2 13 Thin Hex Nut	1
23	1-2 13 Hex Nut	2
24	1-2 Split Lock Washer	2
25	Four Arm Knob	1
26	Rubber Cap	1
27	Thin Rubber Cap	1
28	1-2 13 10 Rod	1
29	TLV 50 Bowl	1
30	TLV 50 Lid	1
31	TLV 50 Dump Chute	1
32	0.5 Drain Barb	1
33	0.25 Drain Barb	1
34	3-8 16 Wing Nut	1
35	TLV 50 Plug Rod	1
36	Plug Metal Lid TLV 50	1

C & M TOPLINE
 5945 Daley Street
 Goleta CA 93117
 1 800 827-1333
 www.cmtoline.com

PART NO.	TLV50D000
DESCRIPTION	TLV-50 Vibratory Bowl
SCALE	DATE

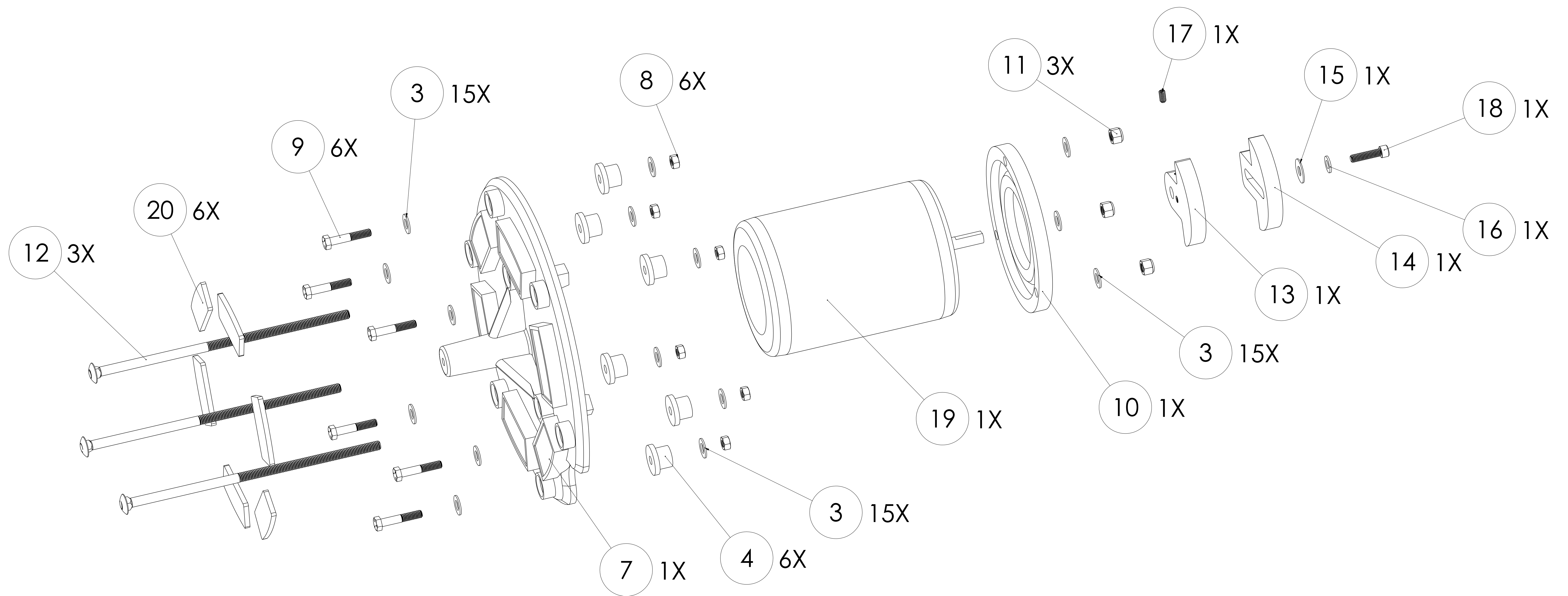
ITEM NO.	DESCRIPTION	QTY.
1	Base Plastic Mount	1
2	Plastic Base Cap	3
3	0.81 Washer	6
4	Plastic Spring End	6
5	5-16 18 1.25 Fully Threaded Screw	6
6	Spring	6



C & M TOPLINE
 5945 Daley Street
 Goleta CA 93117
 1 800 827-1333
 www.cmtoline.com

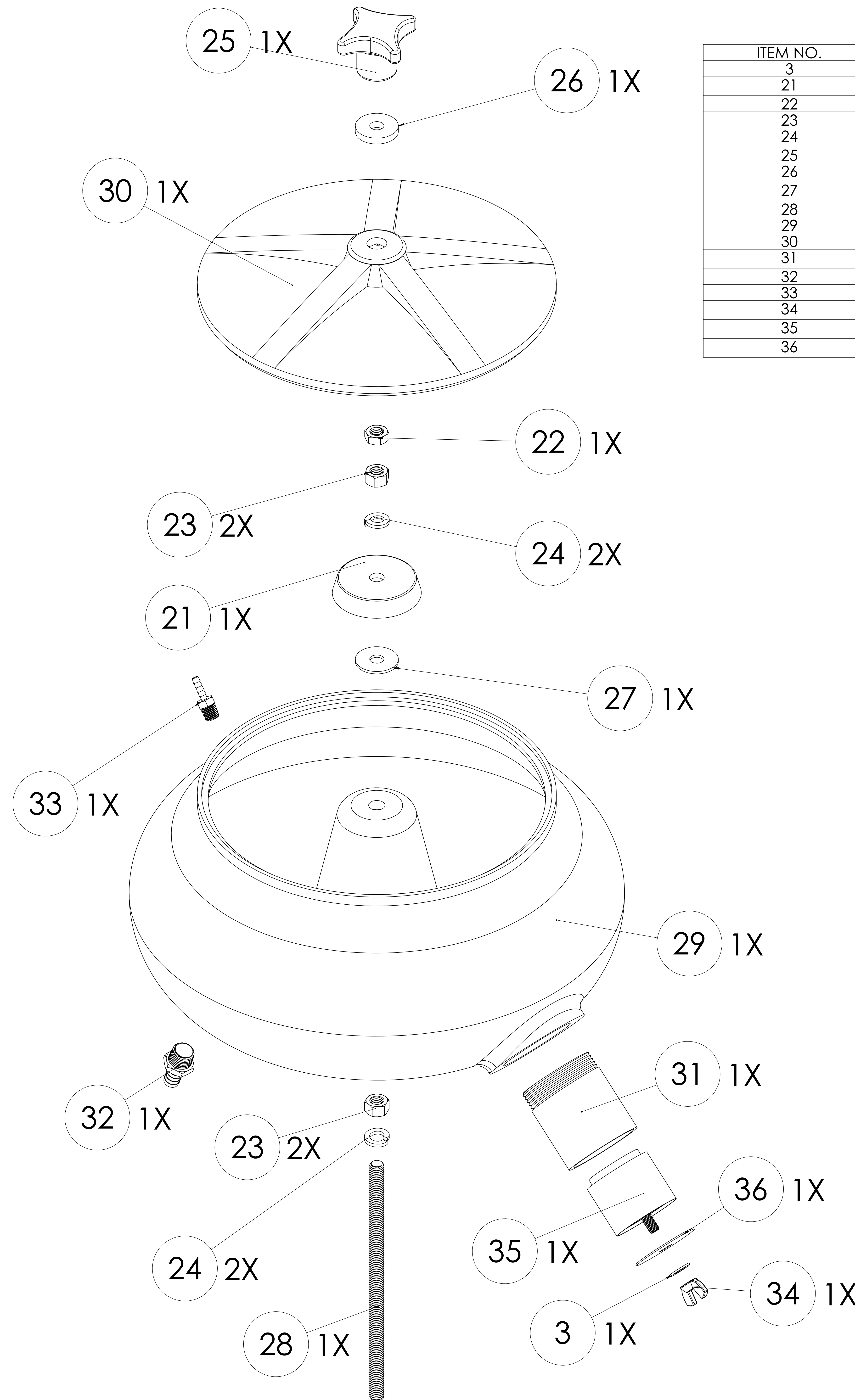
PART NO.	TLV50D000
DESCRIPTION	TLV-50 Mount Assembly
SCALE	REF ID: A

ITEM NO.	DESCRIPTION	QTY.
3	0.81 Washer	15
4	Plastic Spring End	6
7	Base plate TLV 50	1
8	5-16 18 0.5 Hex Nut	6
9	5-16 18 1.75 Partially Threaded Screw	6
10	Motor Plate	1
11	3-8 16 Nylon Insert Locknut	3
12	3-8 16 11 Square Neck Bolt	3
13	Motor Weight A	1
14	Motor Weight B	1
15	1.0 washer	1
16	0.69 washer spring	1
17	1-4 20 Set Screw	1
18	5-16 18 Socket Head Screw	1
19	TLV 50 Motor	1
20	Base Plastic TLV 50	6



C & M TOPLINE
 5945 Daley Street
 Goleta CA 93117
 1 800 827-1333
 www.cmtoline.com

PART NO.	TLV50D000
DESCRIPTION	TLV-50 Base Plate Assembly
SCALE	DRAWING



ITEM NO.	DESCRIPTION	QTY.
3	0.81 Washer	1
21	Base Cap Metal	1
22	1-2 13 Thin Hex Nut	1
23	1-2 13 Hex Nut	2
24	1-2 Split Lock Washer	2
25	Four Arm Knob	1
26	Rubber Cap	1
27	Thin Rubber Cap	1
28	1-2 13 10 Rod	1
29	TLV 50 Bowl	1
30	TLV 50 Lid	1
31	TLV 50 Dump Chute	1
32	0.5 Drain Barb	1
33	0.25 Drain Barb	1
34	3-8 16 Wing Nut	1
35	TLV 50 Plug Rod	1
36	Plug Metal Lid TLV 50	1

C & M TOPLINE
 5945 Daley Street
 Goleta CA 93117
 1 800 827-1333
 www.cmtoline.com

PART NO.	TLV50D000
DESCRIPTION	TLV-50 Bowl and Rod Assembly
SCALE	1:1