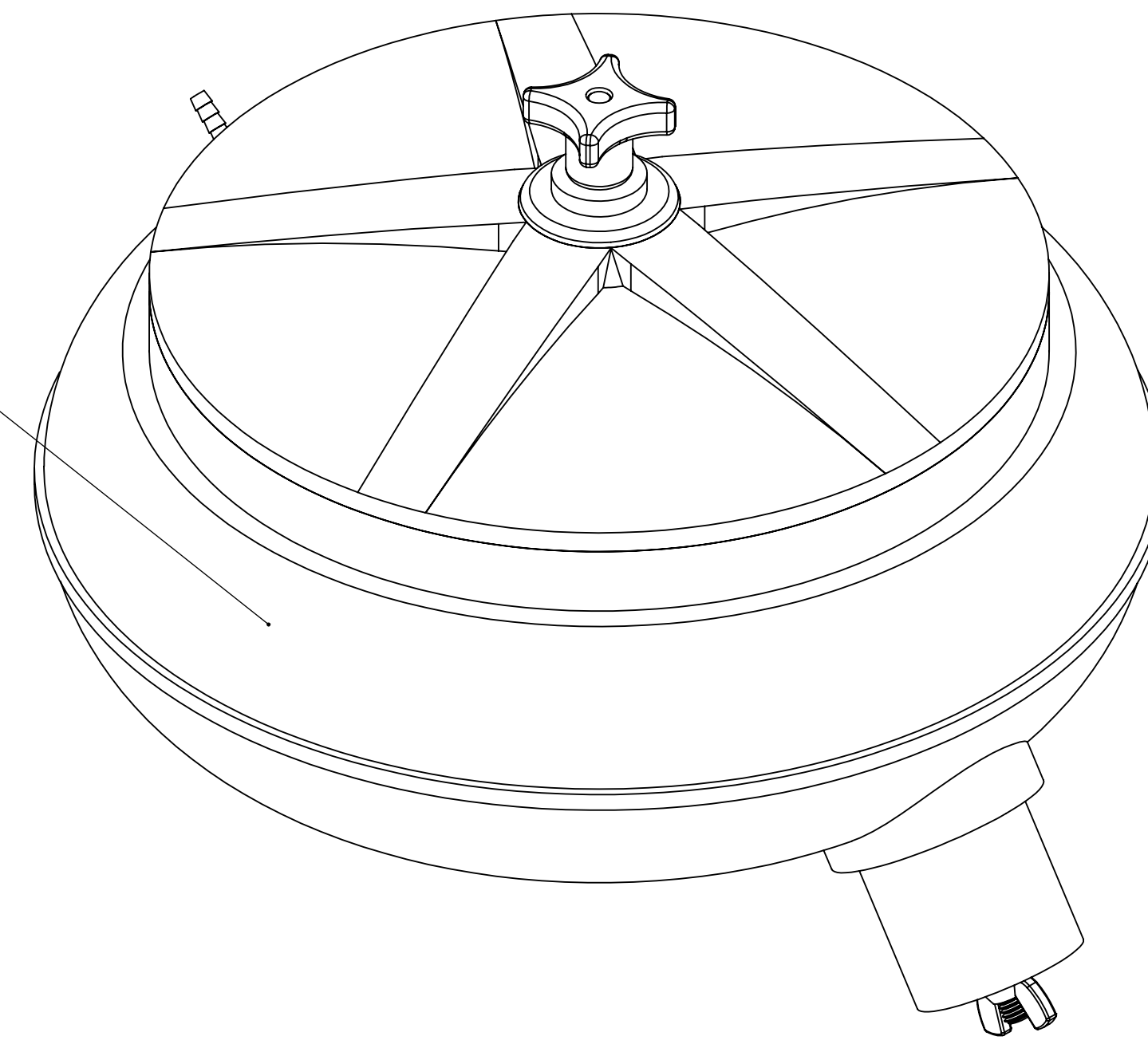


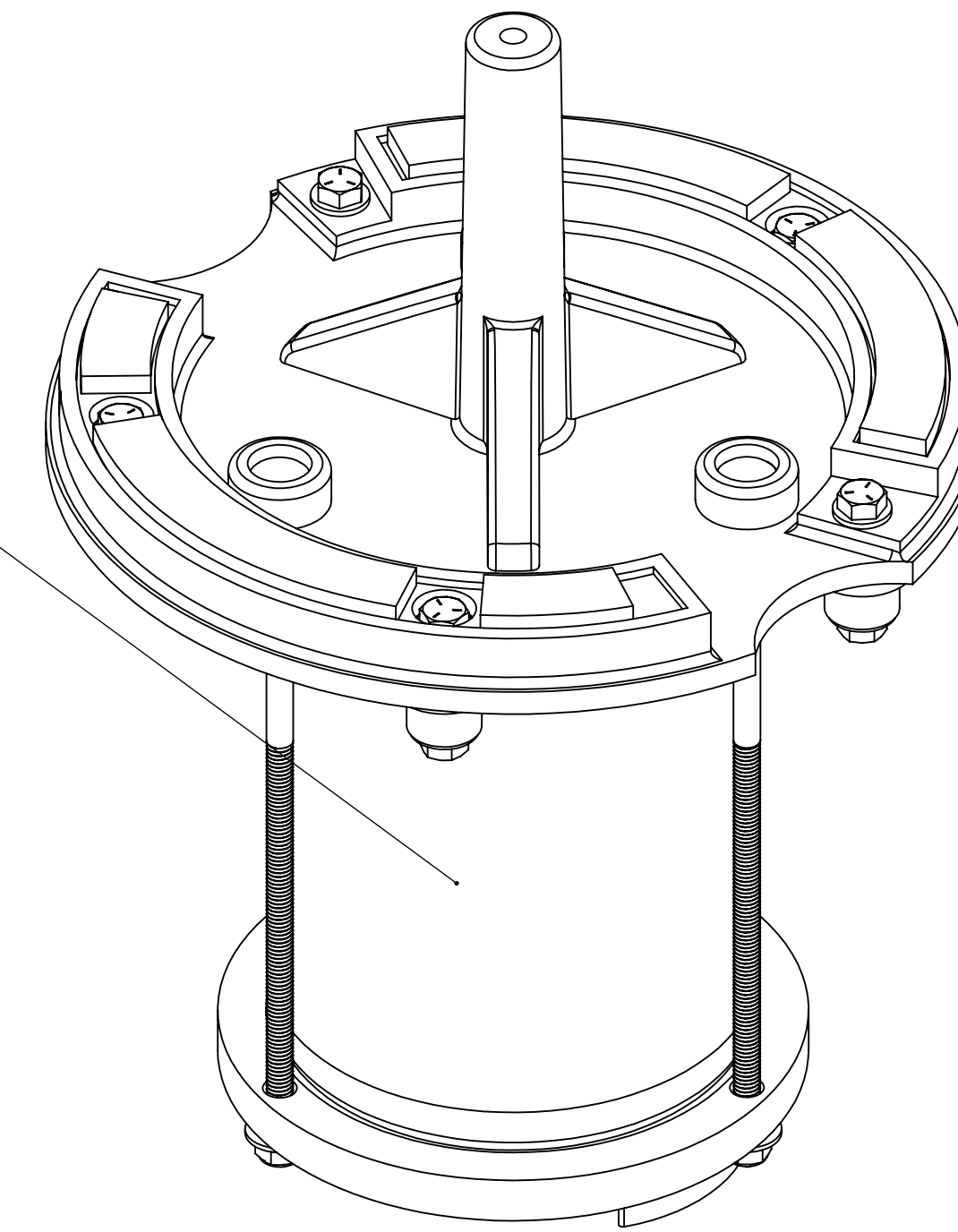
C & M TOPLINE
 5945 Daley Street
 Goleta CA 93117
 1 800 827-1333
 www.cmtoline.com

PART NO.	TLV25D000
DESCRIPTION	TLV-25 Vibratory Bowl
	1/4 Cubic Foot
SCALE	SHEET 013

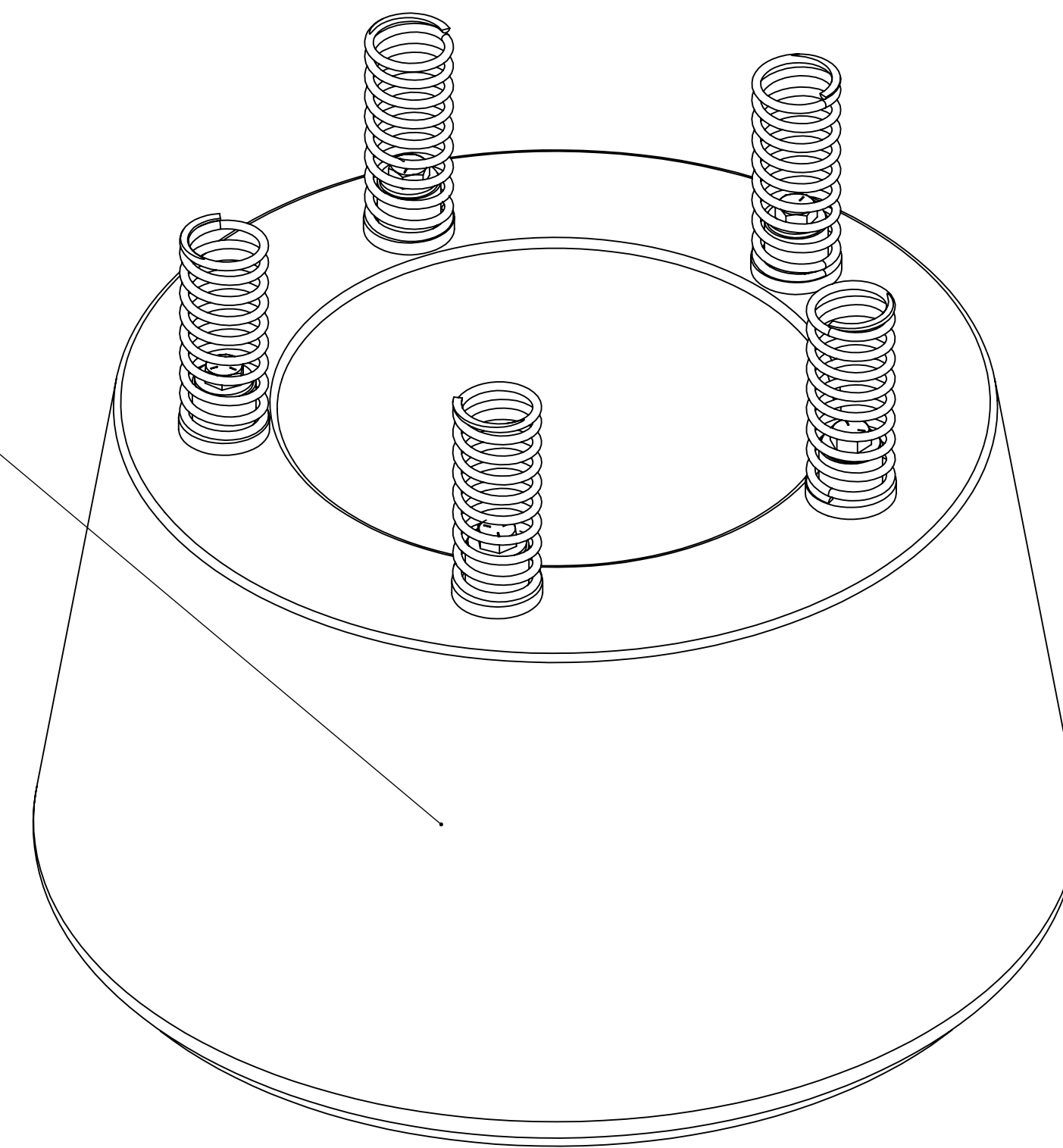
TLV 25 Bowl and Rod Assembly



TLV 25 Base Plate Assembly



TLV 25 Mount Assembly

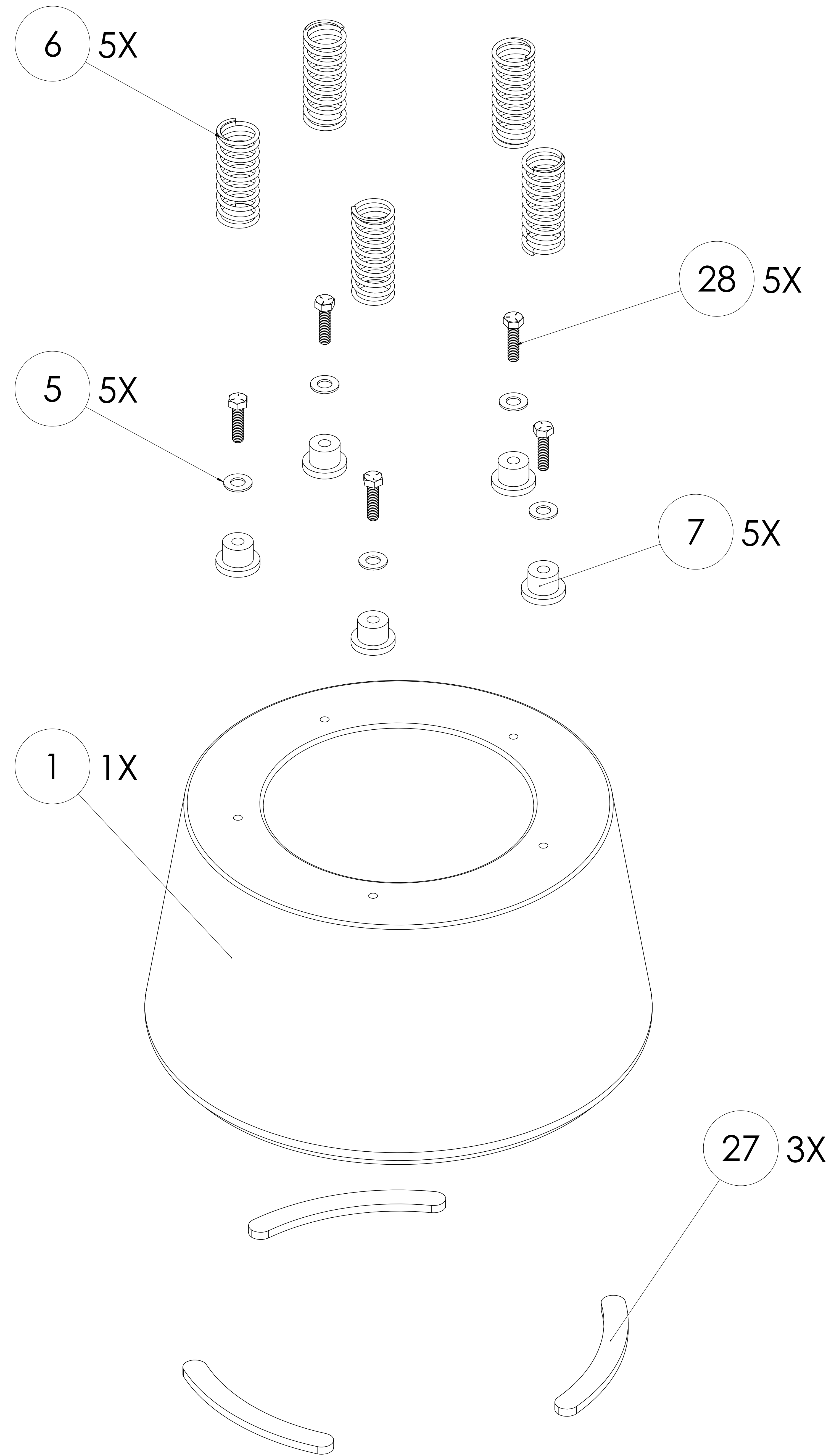


ITEM NO.	DESCRIPTION	QTY.
1	TLV 25 Base	1
2	TLV 25 Base Plate	1
3	TLV 25 5-16 18 Square Neck Bolt	3
4	TLV 25 5-16 18 Nylon Insert Locknut	3
5	TLV 25 0.81 Washer	14
6	TLV 25 Spring	5
7	TLV 25 Spring Retainer	10
8	5-16 18 1.75 Partially Threaded Screw	5
9	5-16 18 0.5 Hex Nut	5
10	TLV 25 0.69 Washer	6
11	Motor Plate	1
12	TLV 25 1.0625 Washer	1
13	TLV 25 Motor Weight A	1
14	TLV 25 Motor Weight B	1
15	1-4 20 Set Screw	1
16	TLV 25 5-16 18 Socket Head Screw	1
17	TLV 25 Motor	1
18	TLV 25 Base Plate Plastic	2
19	TLV 25 Bowl Plate	1
20	TLV 25 Rubber Cap	1
21	TLV 25 Thin Rubber Cap	1
22	TLV 25 3-8 Split Lock Washer	1
23	TLV 25 3-8 16 Thin Hex Nut	1
24	TLV 25 Threaded Rod	1
25	TLV 25 Knob	1
26	TLV 25 3-8 16 Hex Nut	1
27	TLV 25 Base Pad	3
28	5-16 18 1.25 Fully Threaded Screw	5
29	TLV 25 Lid	1
30	TLV 25 Bowl	1
31	TLV 25 Dump Chute	1
32	0.5 Drain Barb	1
33	0.25 Drain Barb	1
34	TLV 25 Plug	1
35	TLV 25 3-8 16 Wing Nut	1
36	TLV 25 Plug Lid	1

C & M TOPLINE
 5945 Daley Street
 Goleta CA 93117
 1 800 827-1333
 www.cmtoline.com

PART NO.	TLV25D000
DESCRIPTION	TLV-25 Vibratory Bowl
	1/4 Cubic Foot

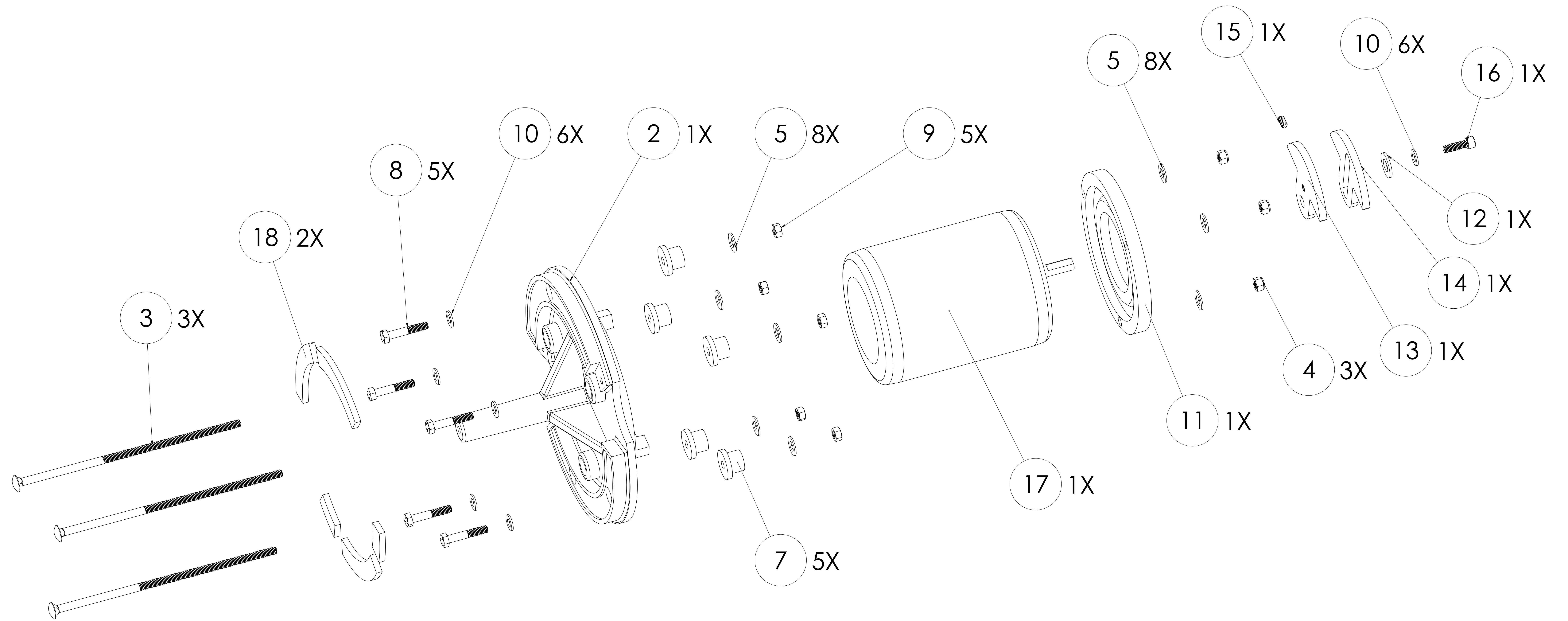
ITEM NO.	DESCRIPTION	QTY.
1	TLV 25 Base	1
5	TLV 25 0.81 Washer	5
6	TLV 25 Spring	5
7	TLV 25 Spring Retainer	5
27	TLV 25 Base Pad	3
28	5-16 18 1.25 Fully Threaded Screw	5



C & M TOPLINE
 5945 Daley Street
 Goleta CA 93117
 1 800 827-1333
 www.cmtoline.com

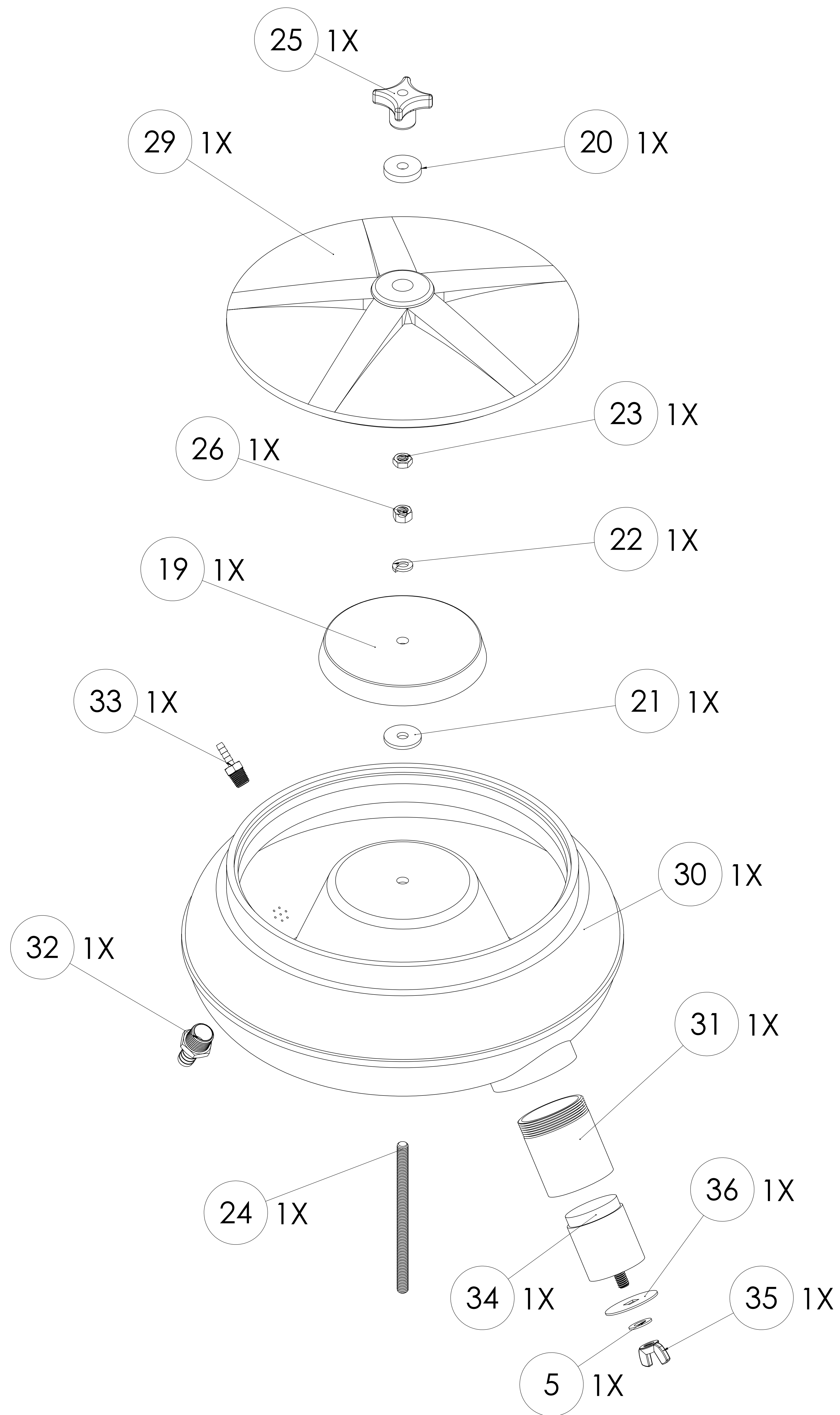
PART NO.	TLV25D000
DESCRIPTION	TLV-25 Mount Assembly
SCALE	REF ID: A

ITEM NO.	DESCRIPTION	QTY.
2	TLV 25 Base Plate	1
3	TLV 25 5-16 18 Square Neck Bolt	3
4	TLV 25 5-16 18 Nylon Insert Locknut	3
5	TLV 25 0.81 Washer	8
7	TLV 25 Spring Retainer	5
8	5-16 18 1.75 Partially Threaded Screw	5
9	5-16 18 0.5 Hex Nut	5
10	TLV 25 0.69 Washer	6
11	Motor Plate	1
12	TLV 25 1.0625 Washer	1
13	TLV 25 Motor Weight A	1
14	TLV 25 Motor Weight B	1
15	1-4 20 Set Screw	1
16	TLV 25 5-16 18 Socket Head Screw	1
17	TLV 25 Motor	1
18	TLV 25 Base Plate Plastic	1



C & M TOPLINE
 5945 Daley Street
 Goleta CA 93117
 1 800 827-1333
 www.cmtoline.com

PART NO.	TLV25D000
DESCRIPTION	TLV-25 Base Plate Assembly
SCALE	1:1



ITEM NO.	DESCRIPTION	QTY.
5	TLV 25 0.81 Washer	1
19	TLV 25 Bowl Plate	1
20	TLV 25 Rubber Cap	1
21	TLV 25 Thin Rubber Cap	1
22	TLV 25 3-8 Split Lock Washer	1
23	TLV 25 3-8 16 Thin Hex Nut	1
25	TLV 25 Knob	1
26	TLV 25 3-8 16 Hex Nut	1
29	TLV 25 Lid	1
30	TLV 25 Bowl	1
31	TLV 25 Dump Chute	1
32	0.5 Drain Barb	1
33	0.25 Drain Barb	1
34	TLV 25 Plug	1
35	TLV 25 3-8 16 WING NUT	1
36	TLV 25 Plug Lid	1
24	TLV 25 Threaded Rod	1

C & M TOPLINE
 5945 Daley Street
 Goleta CA 93117
 1 800 827-1333
 www.cmtopline.com

PART NO.	TLV25D000
DESCRIPTION	TLV-25 Bowl and Rod Assembly
SCALE	1:1