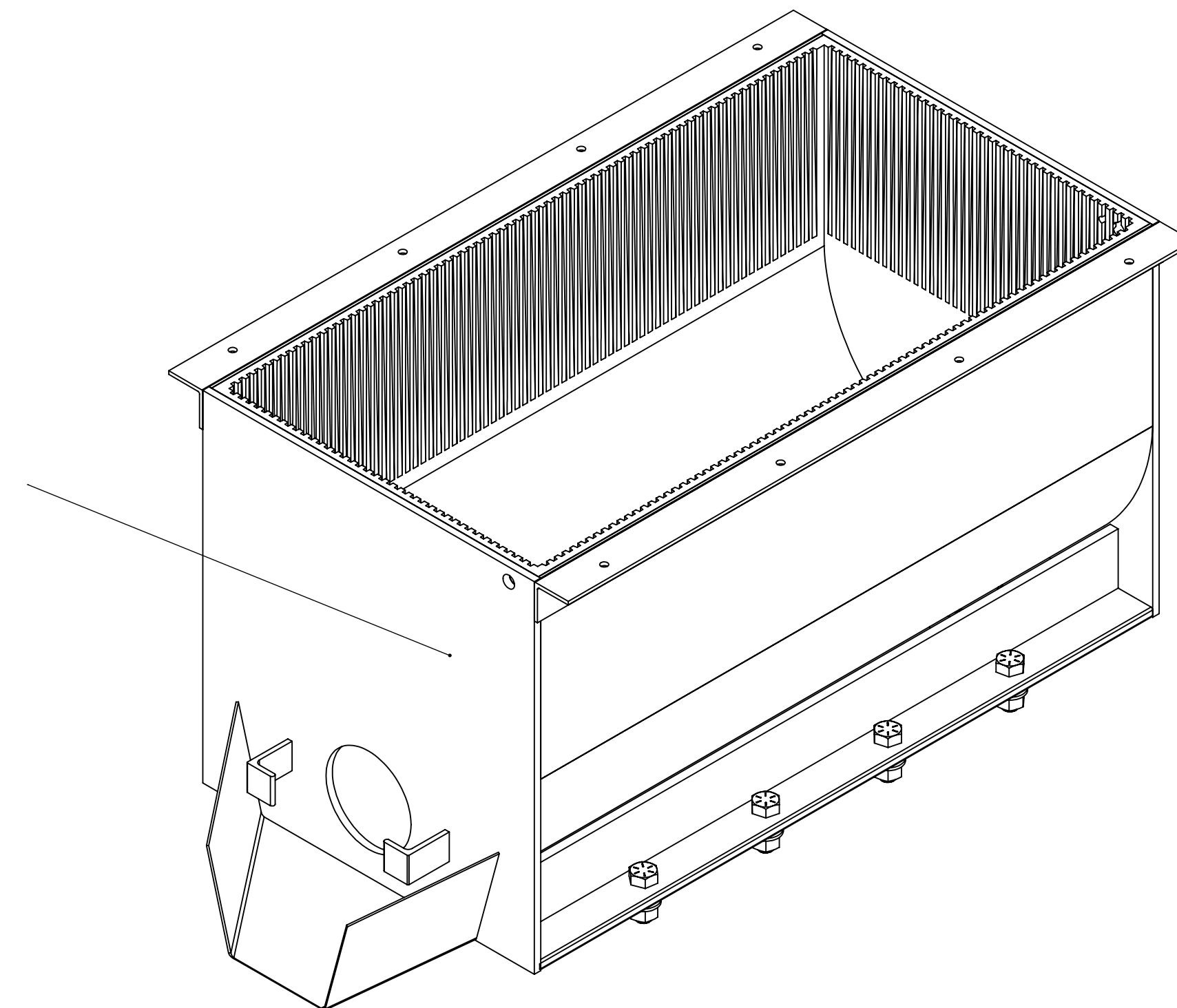


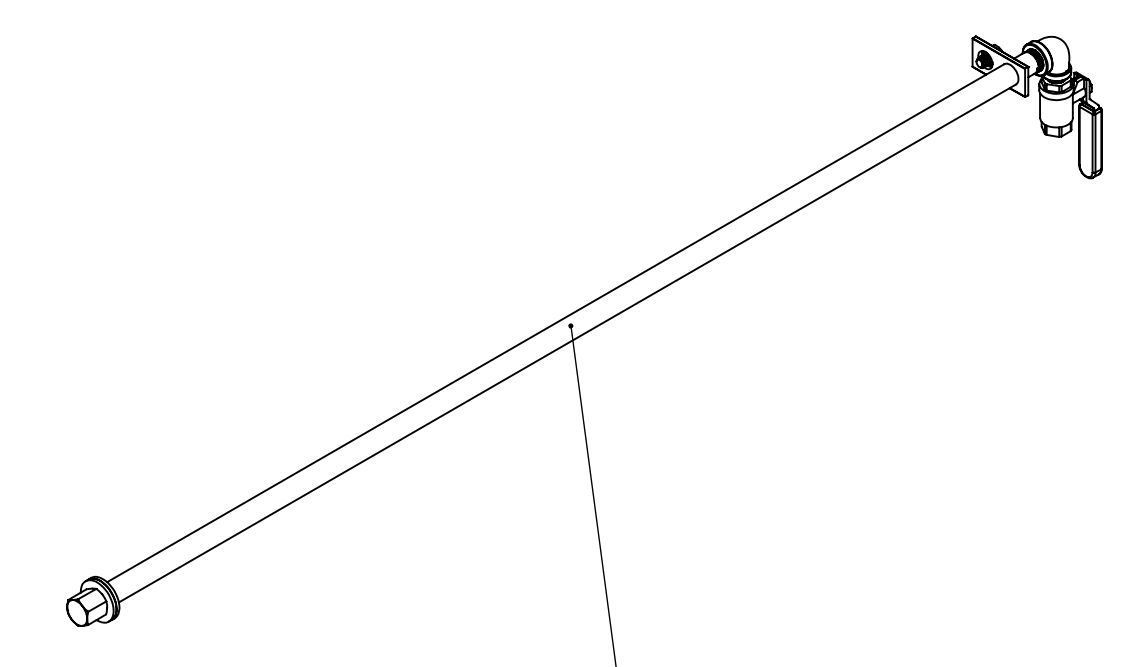
C & M TOPLINE
 5945 Daley Street
 Goleta CA 93117
 1 800 827-1333
 www.cmtoline.com

PART NO.	DB600D000
DESCRIPTION	Mr Deburr DB600 6.5 Cubic Foot
WEIGHT	750 lbs
SCALE: 1/4"	3/8" = 1'-0"

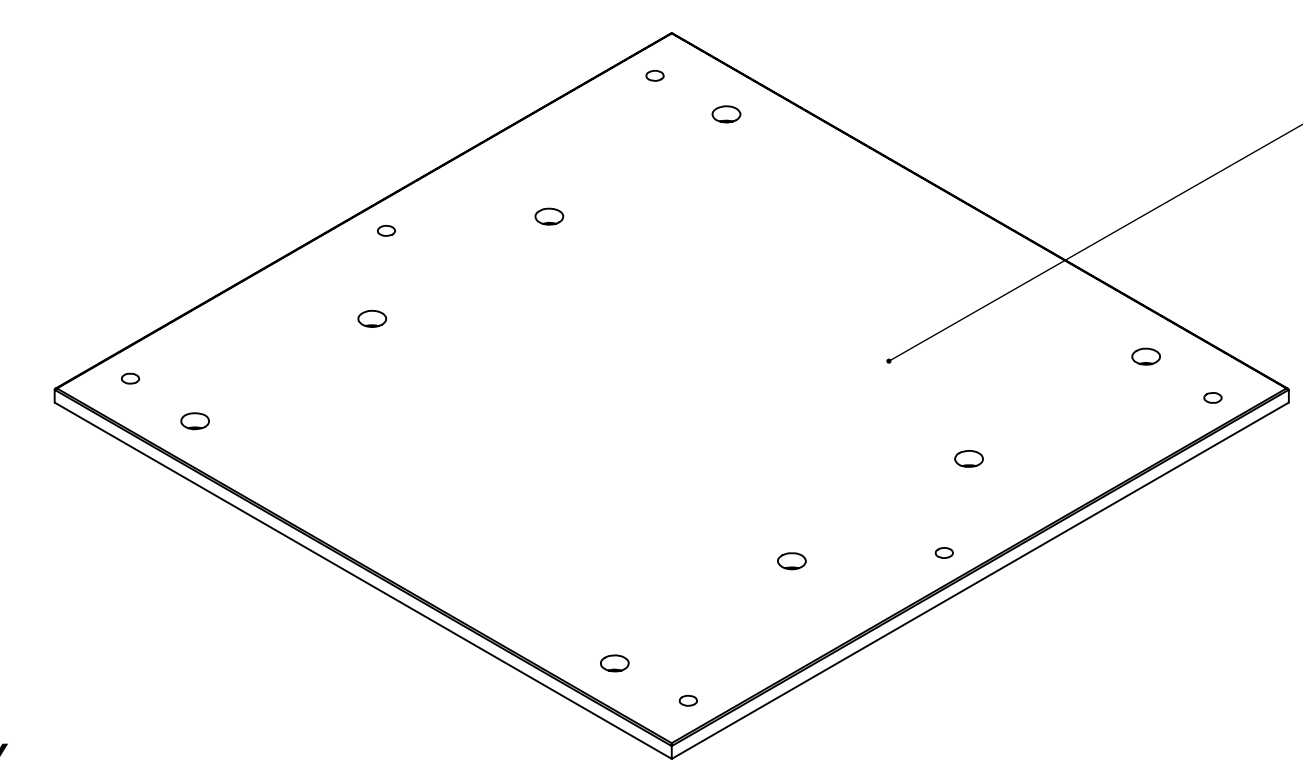
TUB ASSEMBLY 1X



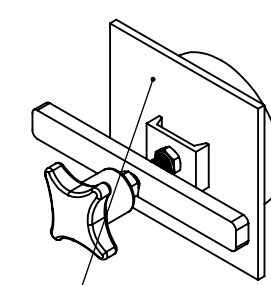
PIPE ASSEMBLY 1X



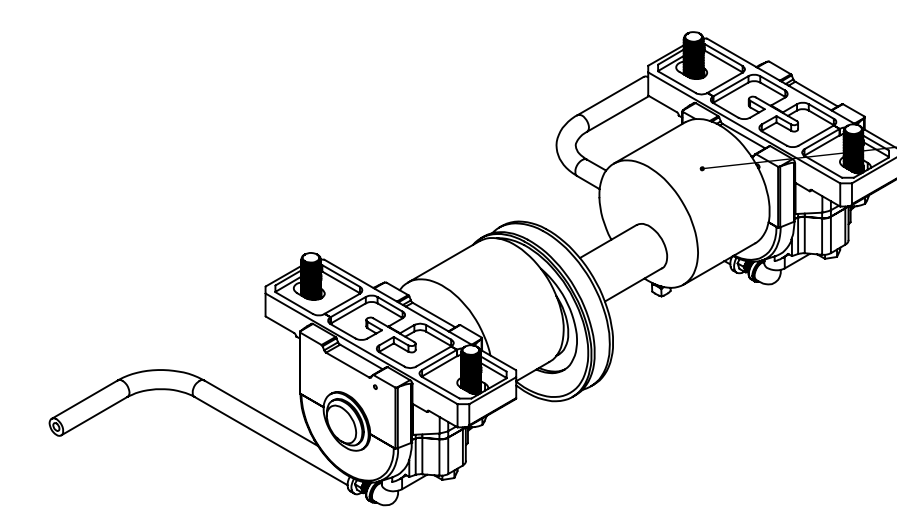
BASE PLATE ASSEMBLY 1X



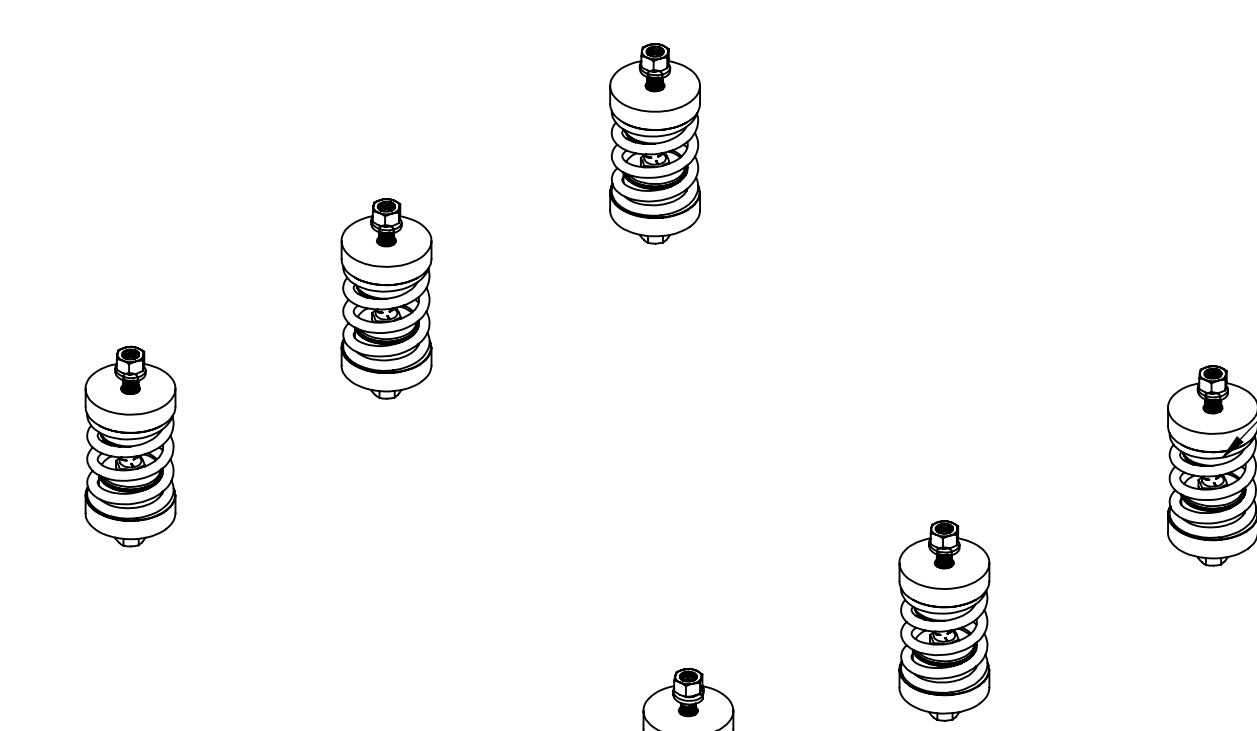
DOOR ASSEMBLY 1X



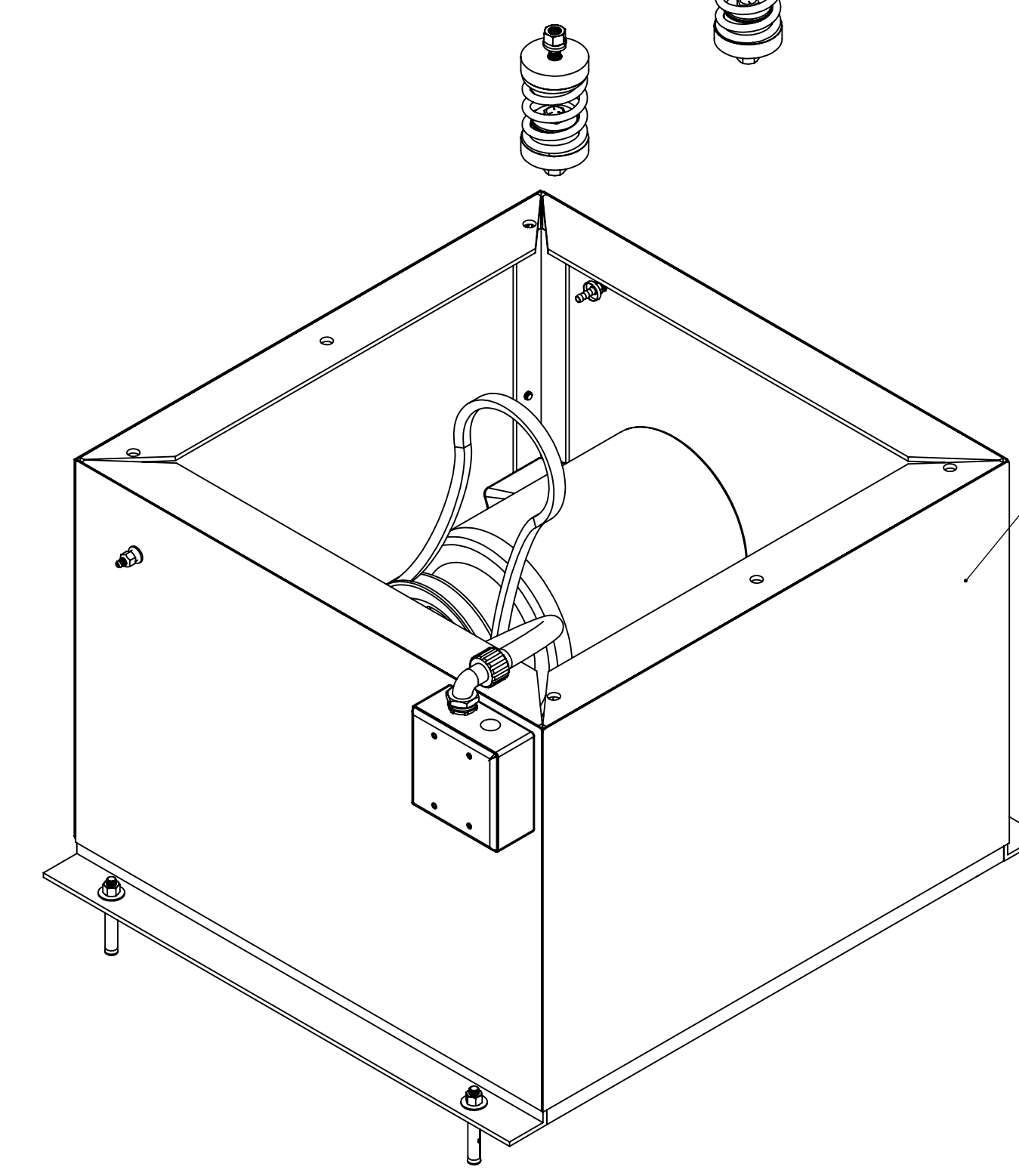
BEARING ASSEMBLY 1X



SPRING ASSEMBLY 6X

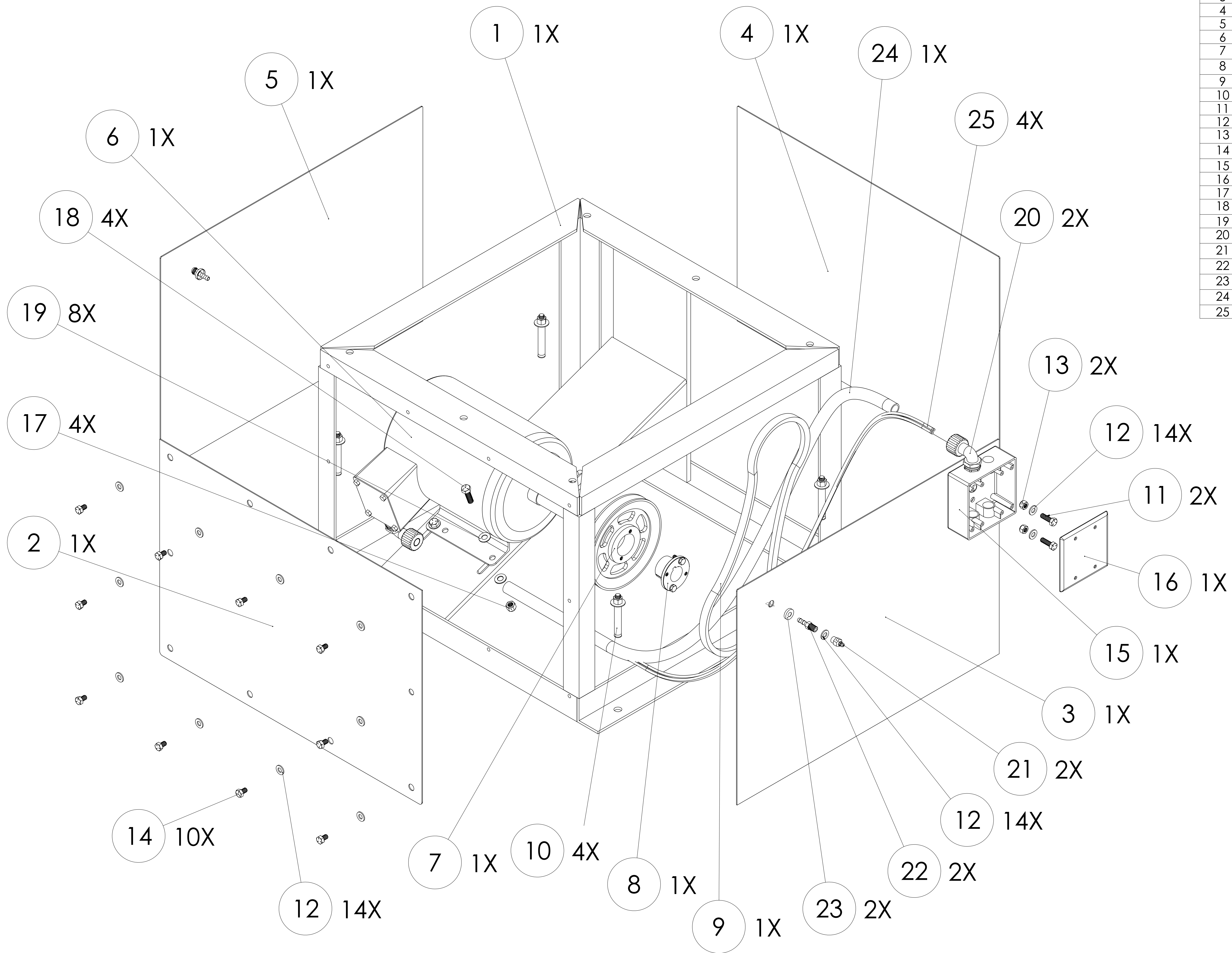


BASE ASSEMBLY 1X



C & M TOPLINE
5945 Daley Street
Goleta CA 93117
1 800 827-1333
www.cmtoline.com

PART NO.	DB600D000
DESCRIPTION	Mr Debur DB600 6 Cubic Foot
SCALE	SHEET 2 OF 9

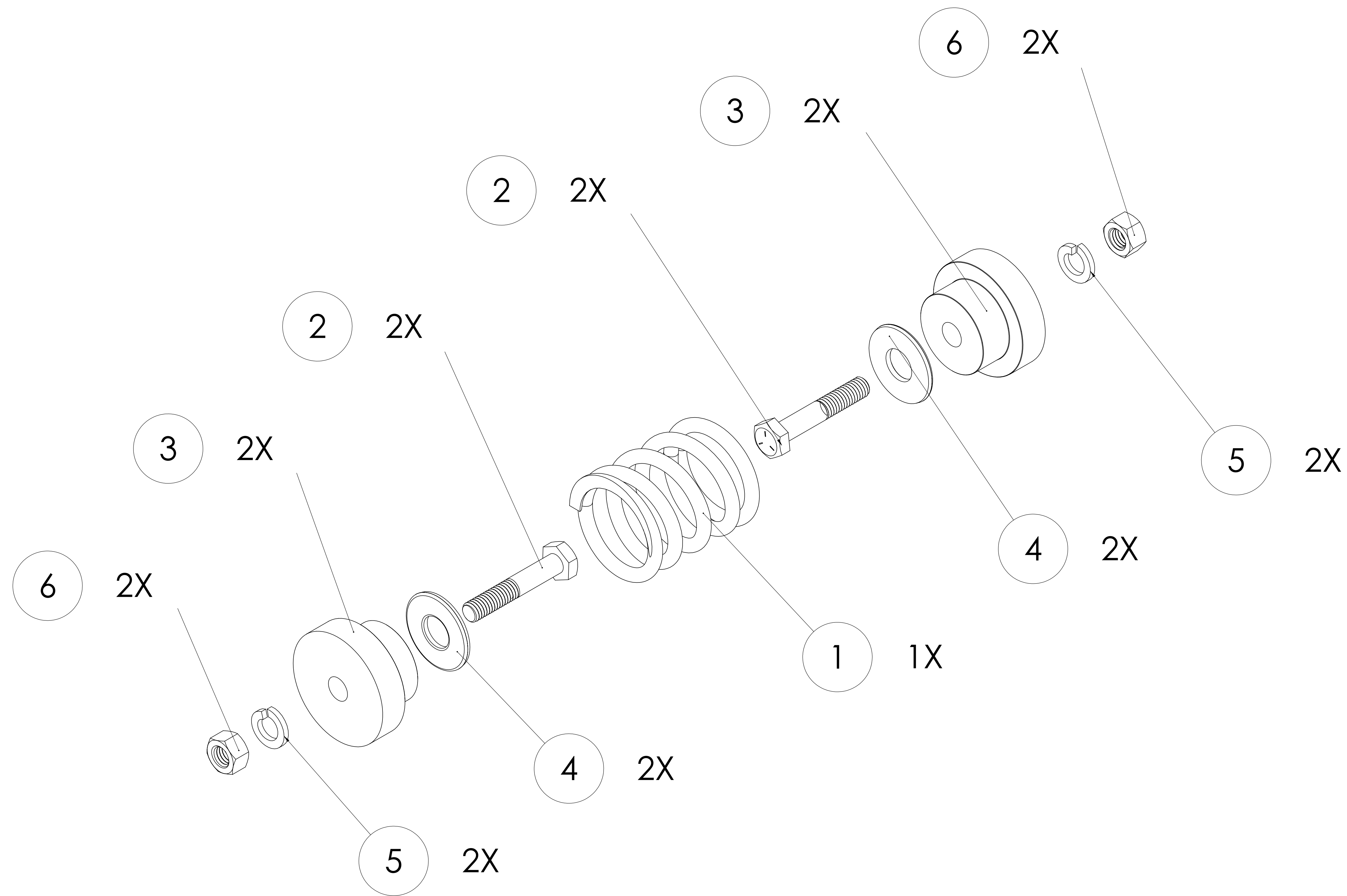


ITEM NO.	PART NAME	QTY.
1	Welded Base	1
2	Base Side Plate A DB600	1
3	Base Side Plate D DB600	1
4	Base Side Plate C DB600	1
5	Base Side Plate B DB600	1
6	Base Motor DB600 DB600	1
7	Motor Pulley DB600	1
8	Motor Bushing DB600	1
9	Base Motor Belt DB600	1
10	Base Stud Anchor 0.5 DB600	4
11	Hex Screw 5-16 18	2
12	Washer 0.69	14
13	Nylon Insert Locknut 5-16 18	2
14	Hex Screw Fully Threaded 5/16 18	10
15	Base Electrical Box DB600	1
16	Base Electrical Cover DB600	1
17	Base Motor Locknut 3-8 16 DB600	4
18	Base Motor Hex Screw Fully Threaded 3-8 16 DB600	4
19	Base Washer 0.81 DB600	8
20	Base 90 Degree Cord Elbow DB600	2
21	Grease Tubing End Cap	2
22	Grease Tubing Fitting	2
23	Grease Tubing Fitting Plastic Cap	2
24	Base Electrical Tubing DB600	1
25	Base Electrical Wires DB600	4

C & M TOPLINE
 5945 Daley Street
 Goleta CA 93117
 1 800 827-1333
 www.cmtopline.com

PART NO.	DB600D300
DESCRIPTION	Mr Deburrr Base Assembly
SCALE	SHEET 1 OF 1

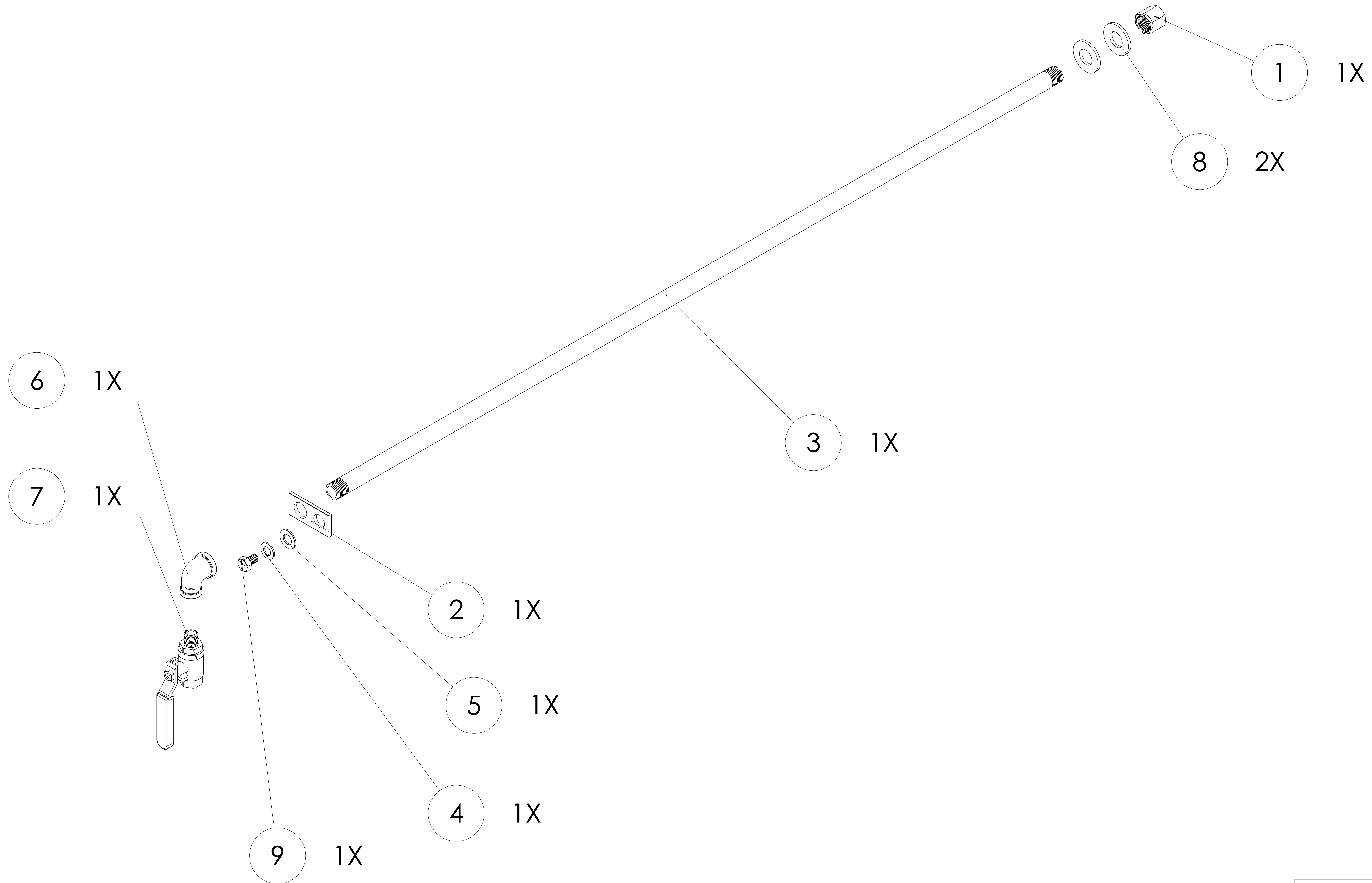
ITEM NO.	PART NAME	QTY.
1	Flat End Spring	1
2	Hex Screw Partially Threaded 7/16 13	2
3	Spring Plastic Holder	2
4	Spring Washer 1.75 OD	2
6	Hex Nut 1/2 13	2
5	Split Lock Washer	2



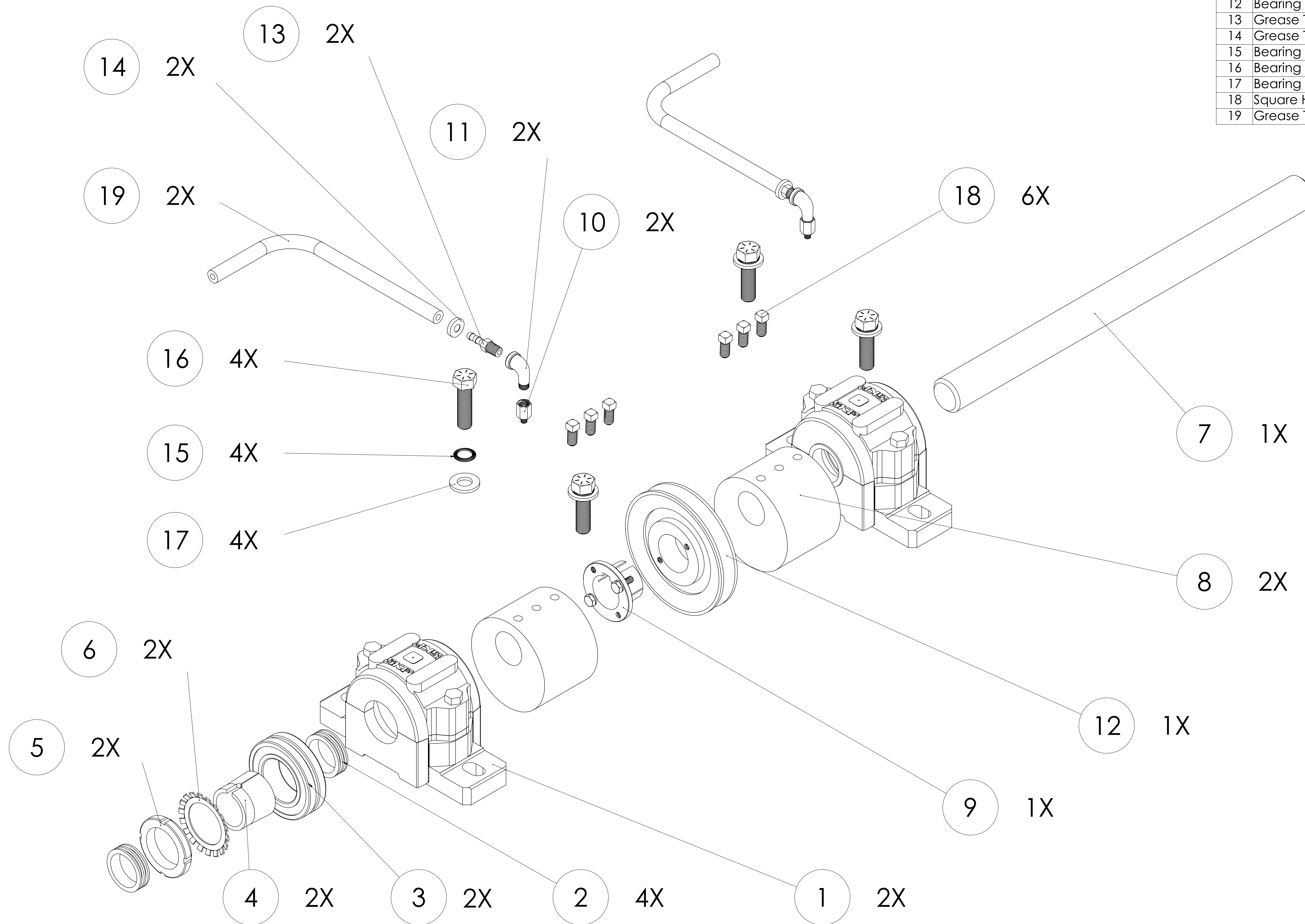
C & M TOPLINE
 5945 Daley Street
 Goleta CA 93117
 1 800 827-1333
 www.cmtoline.com

PART NO.	DB300D800
DESCRIPTION	Mr Debur Spring Assembly
SCALE: 1:1	SHEET # OF 1

ITEM NO.	PART NAME	QTY.
1	Pipe End Cap DB600	1
2	Spray Pipe Mounting Plate DB600	1
3	Spray Pipe DB600	1
4	Pipe Washer 0.675 OD	1
5	Pipe Washer 0.81 OD	1
6	Pipe 90 Degree Reducing Fitting DB600	1
7	Spray Pipe Valve	1
8	Pipe Washer 1.335 OD DB600	2
9	Hex Screw Fully Threaded 5/16 18	1



ITEM NO.	PART NAME	PART NO.	QTY.
1	SAF 509 DB600	DB600D901	2
2	LER 17 DB600	DB600D902	4
3	22209 EK DB600	DB600D903	2
4	Sleeve Adapter Part 1 (SNW 9x1.7-16)	DB600D904	2
5	Sleeve Adapter Part 2 (N 09)	DB600D905	2
6	Sleeve Adapter Part 3 (W 09)	DB600D906	2
7	Bearing Shaft 1-7/16 DB600	DB600D907	1
8	Bearing Mass DB600	DB600D908	2
9	Bearing Bushing DB600	DB600D909	1
10	Grease Tubing Adapter	DB300D910	2
11	Grease Tubing 90 degree Adapter	DB300D911	2
12	Bearing Pulley DB600	DB600D912	1
13	Grease Tubing Fitting	DB300D912	2
14	Grease Tubing Fitting Plastic Cap	DB300D913	2
15	Bearing Belleville Spring Lock Washer DB600	DB600D913	4
16	Bearing Hex Screw Fully Threaded 0.5625 18 DB600	DB600D914	4
17	Bearing Washer 1.16 OD DB600	DB600D915	4
18	Square Head Cup Point Set Screws 3/8 16	DB300D906	6
19	Grease Tubing	DB300D323	2



C & M TOPLINE
 5945 Daley Street
 Goleta CA 93117
 1 800 827-1333
 www.candmtopline.com

PART NO.	DB600D900
DESCRIPTION	Mr Deburr Bearing Assembly
SCALE	SHEET 001