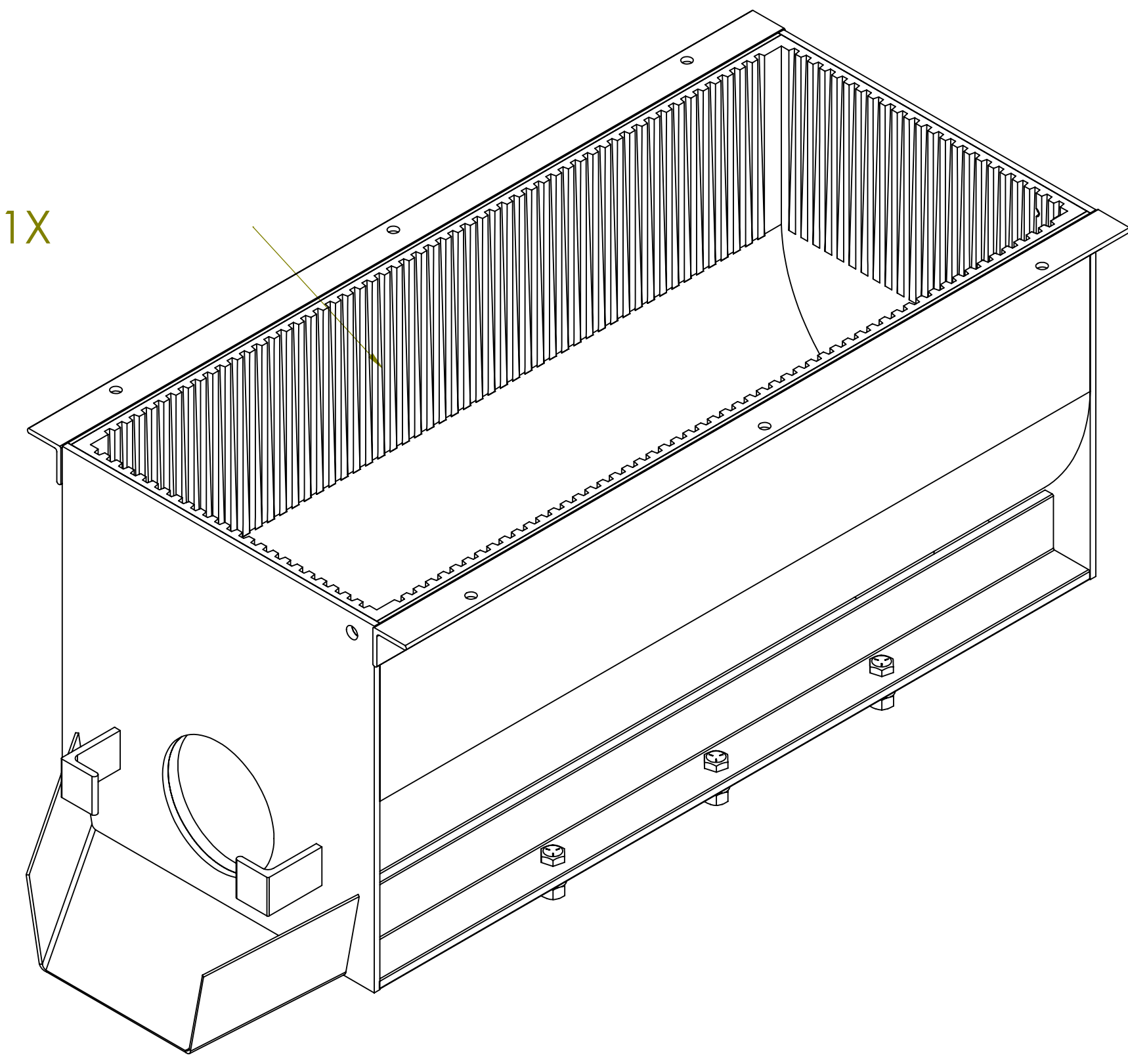


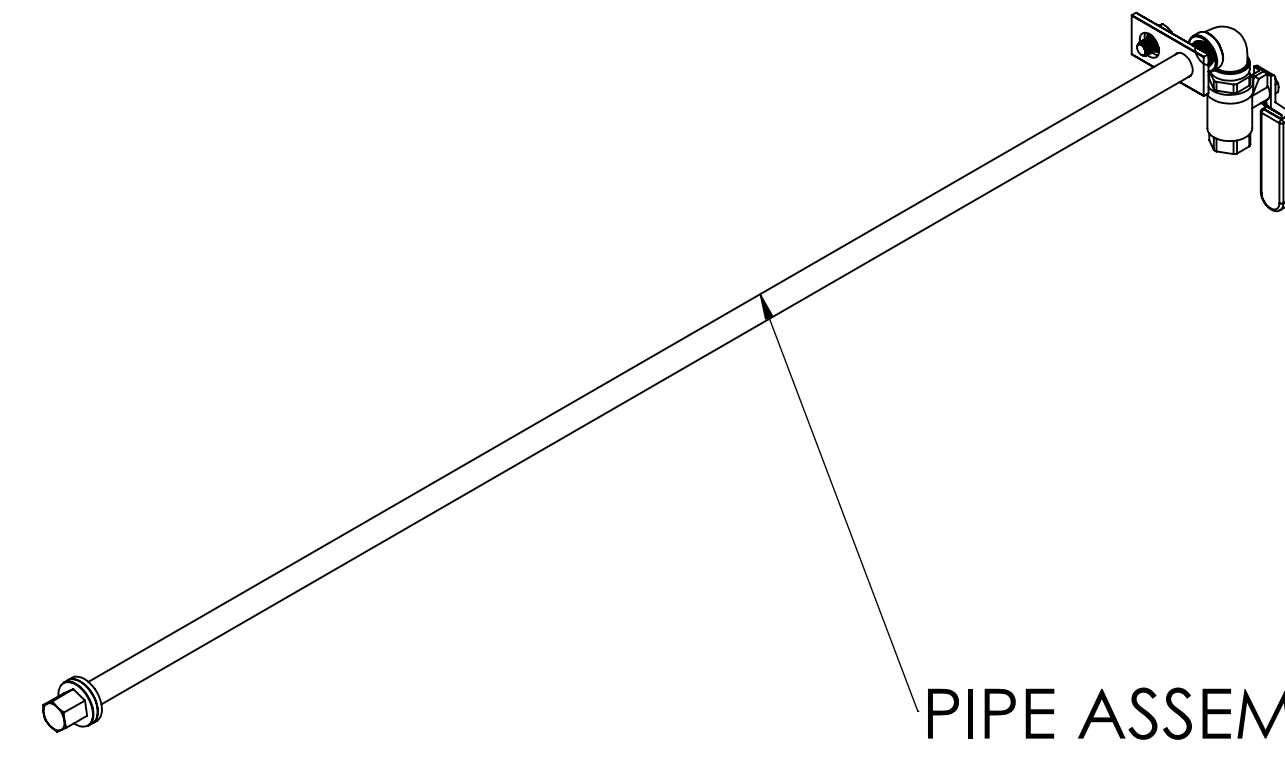
C & M TOPLINE
 5945 Daley Street
 Goleta CA 93117
 1 800 827-1333
 www.cmtoline.com

PART NO.	DB300D000
DESCRIPTION	Mr Deburr DB300 3 Cubic Foot
WEIGHT	400 lbs
SCALE: 1/4"	SHEET 1 OF 1

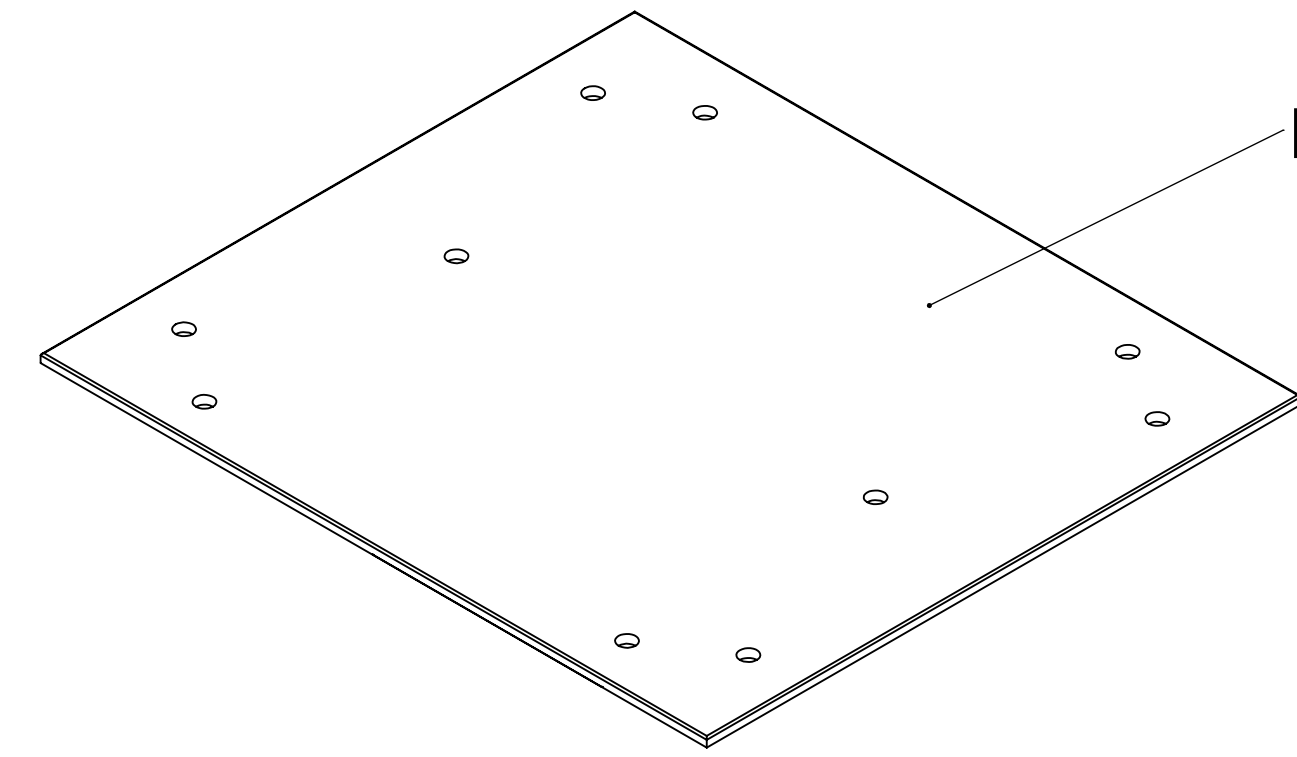
TUB ASSEMBLY 1X



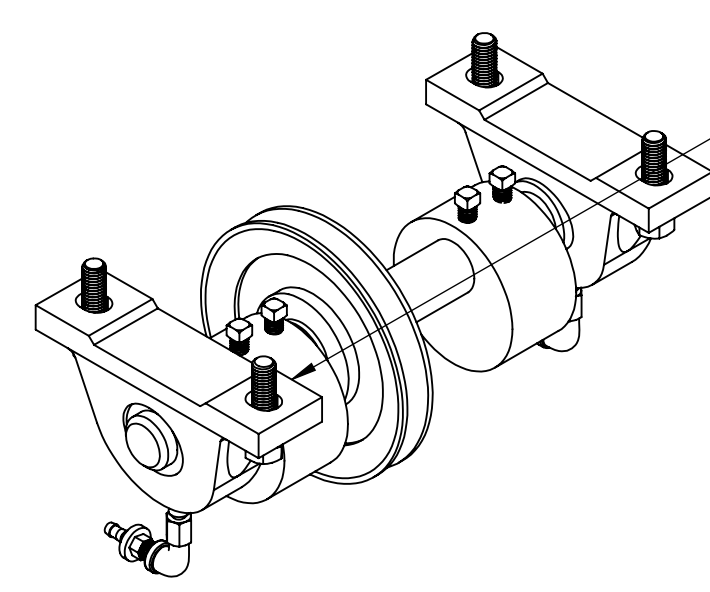
PIPE ASSEMBLY 1X



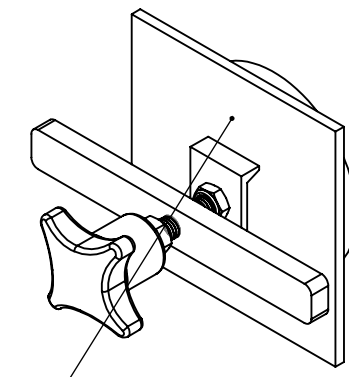
BASE PLATE ASSEMBLY 1X



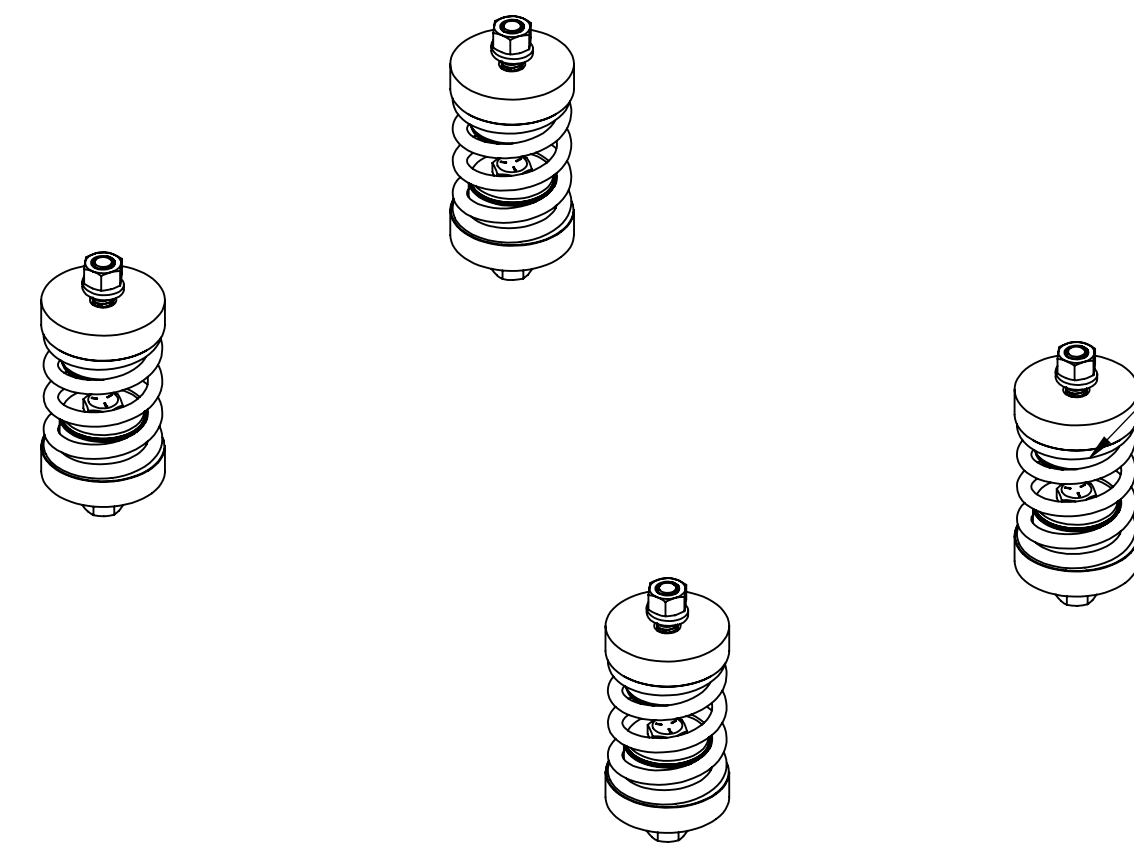
BEARING ASSEMBLY 1X



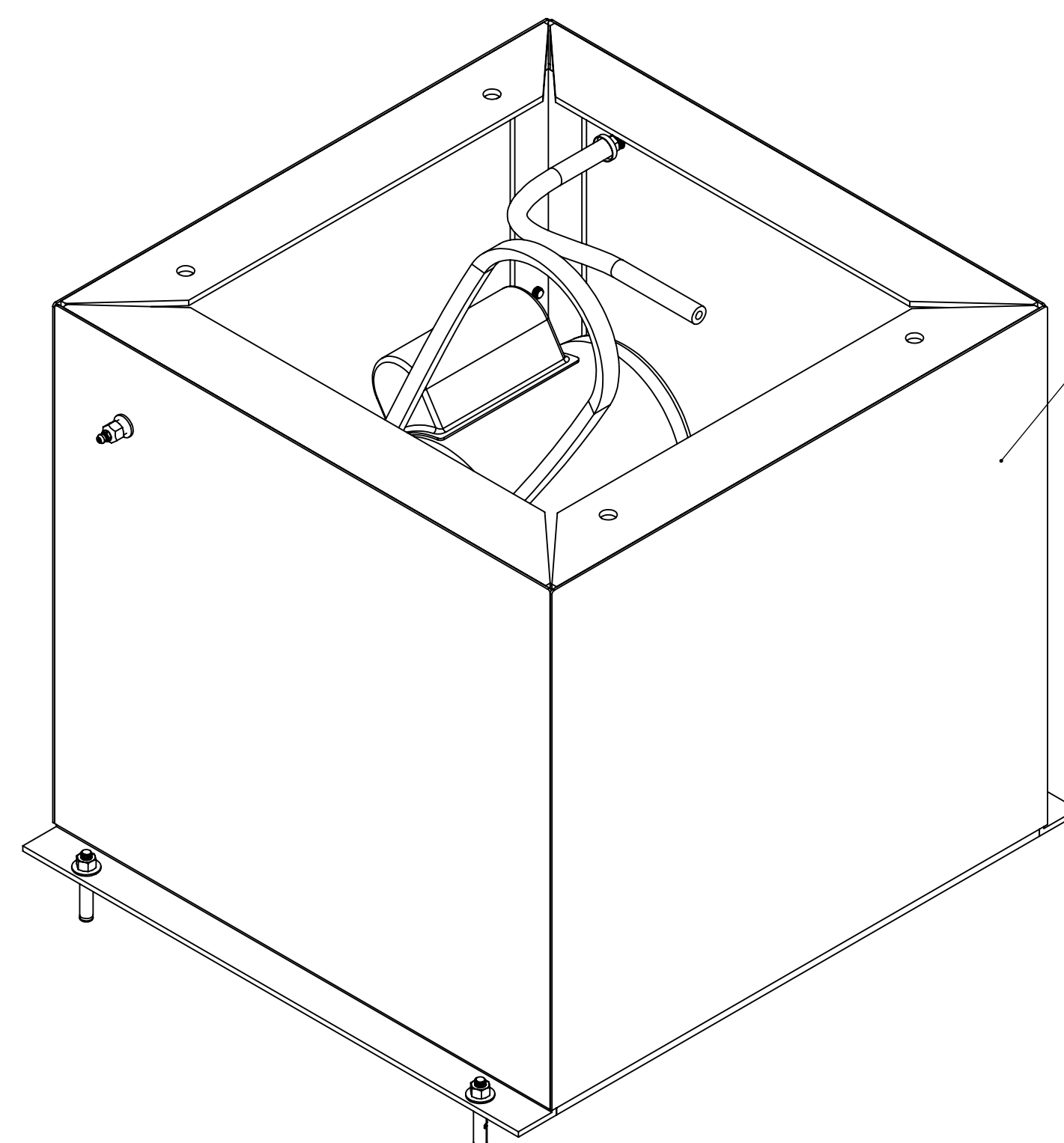
DOOR ASSEMBLY 1X



SPRING ASSEMBLY 4X



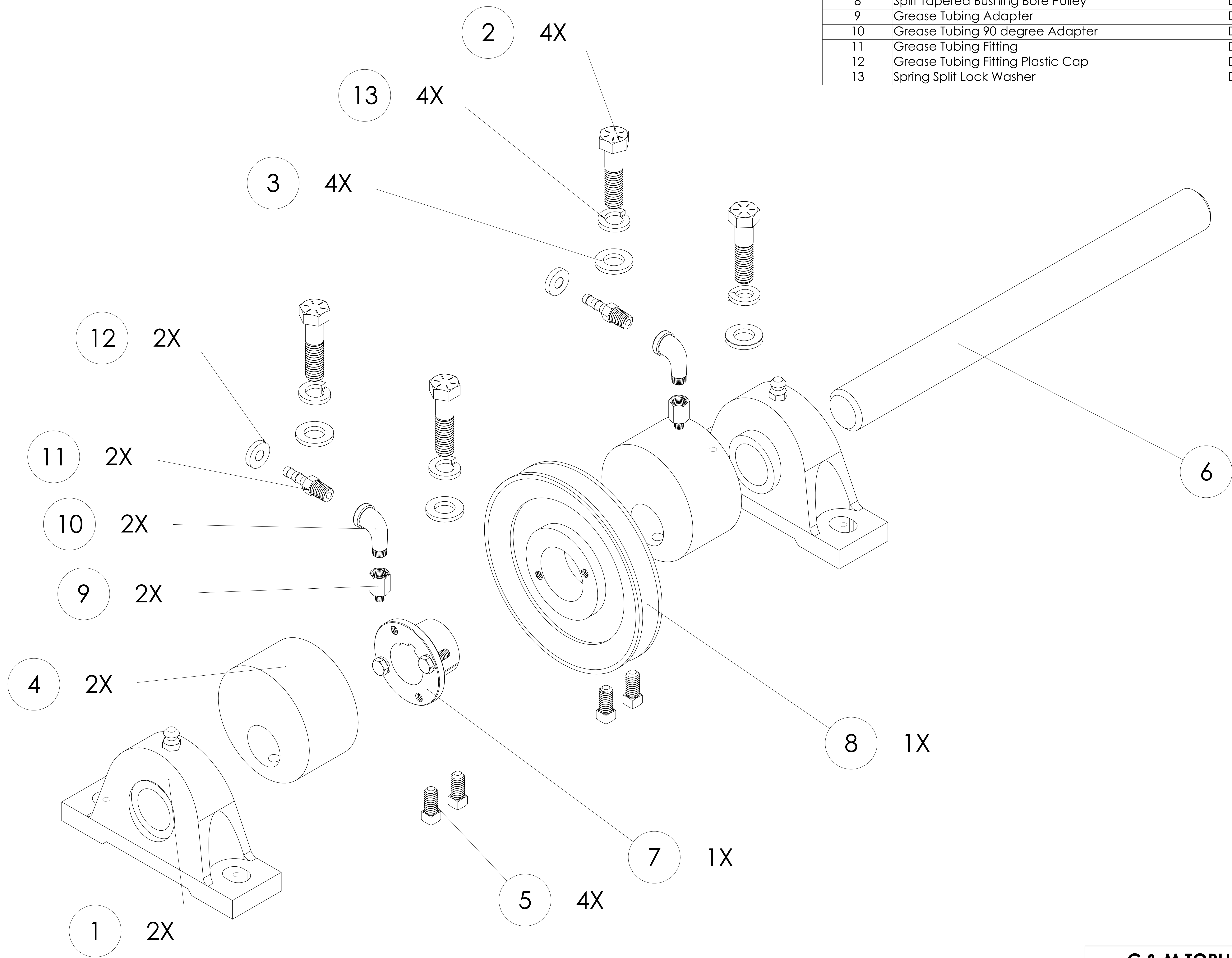
BASE ASSEMBLY 1X



C & M TOPLINE
5945 Daley Street
Goleta CA 93117
1 800 827-1333
www.cmtoline.com

PART NO.	DB300D000
DESCRIPTION	Mr Deburr DB300 3 Cubic Foot
SCALE	SHEET 2 OF 9

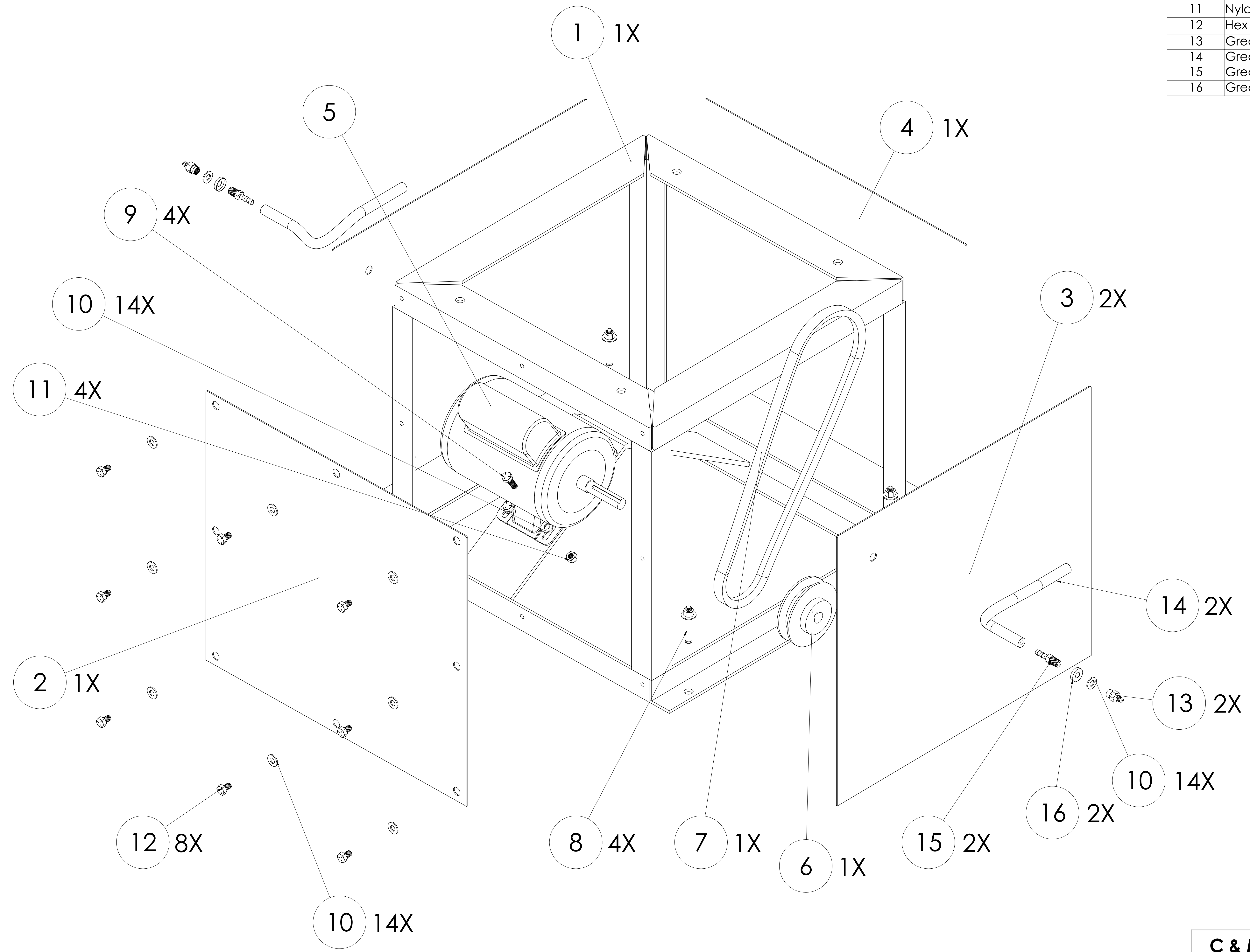
ITEM NO.	PART NAME	PART NO.	QTY.
1	Bearing	DB300D901	2
2	Hex Screw Partially Threaded 1/2 13	DB300D902	4
3	Washer 1.035 OD	DB300D903	4
4	Bearing Mass	DB300D904	2
5	Square Head Cup Point Set Screws 3/8 16	DB300D905	4
6	Bearing Shaft 1-1/4	DB300D906	1
7	Split Tapered Bushing	DB300D907	1
8	Split Tapered Bushing Bore Pulley	DB300D908	1
9	Grease Tubing Adapter	DB300D909	2
10	Grease Tubing 90 degree Adapter	DB300D910	2
11	Grease Tubing Fitting	DB300D911	2
12	Grease Tubing Fitting Plastic Cap	DB300D912	2
13	Spring Split Lock Washer	DB300D002	4



C & M TOPLINE
 5945 Daley Street
 Goleta CA 93117
 1 800 827-1333
 www.cmtoline.com

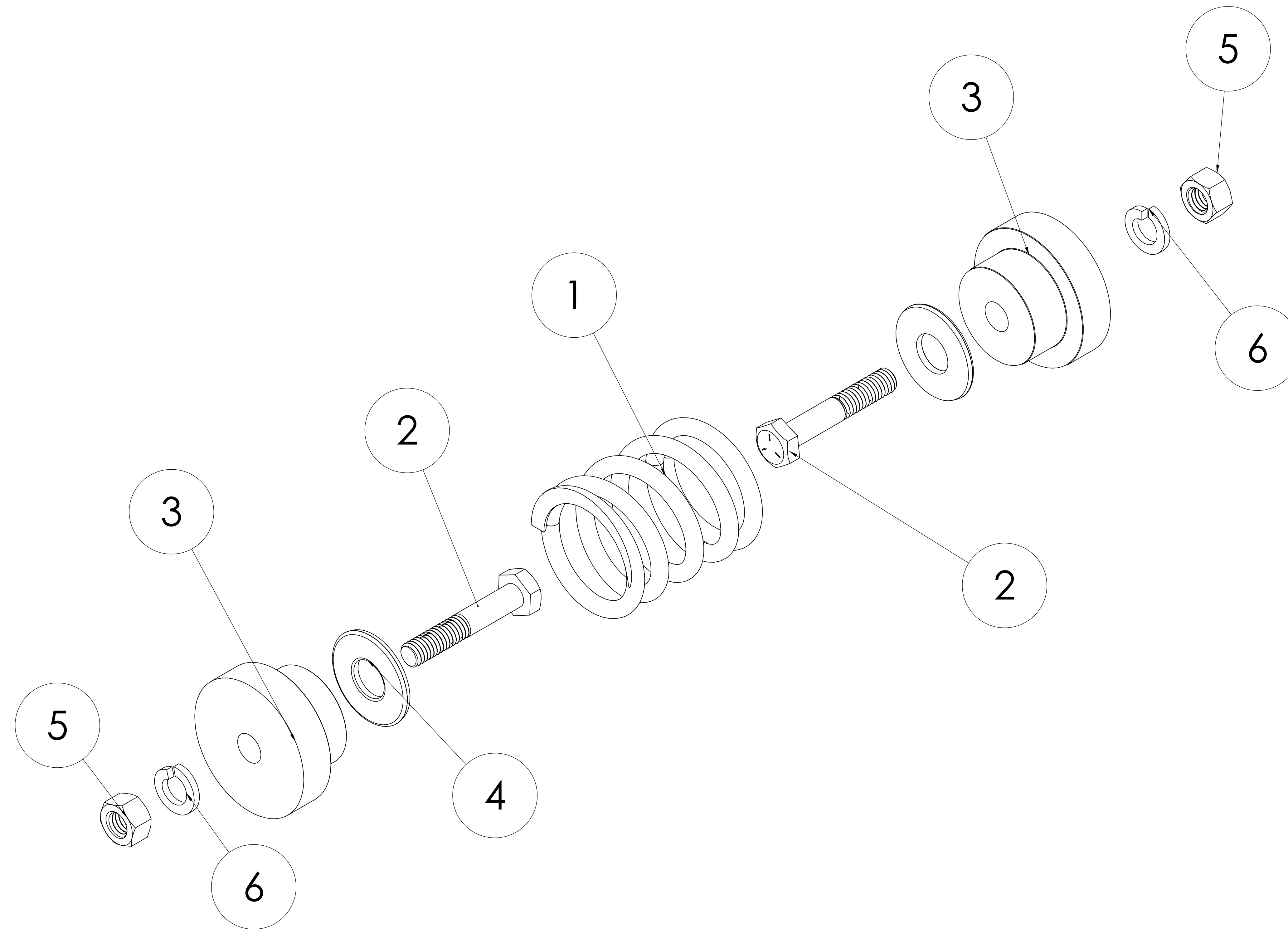
PART NO.	DB300D900
DESCRIPTION	Mr Debur Bearing Assembly
SCALE	SHEET 01 OF 01

ITEM NO.	PART NUMBER	QTY.
1	Welded Base	1
2	Base Side Plate A	1
3	Base Side Plate B	2
4	Base Side Plate C	1
5	Motor 0.75 HP	1
6	Motor Pulley	1
7	Base Motor Belt	1
8	Stud Anchor for Concrete	4
9	Hex Screw 5-16 18	4
10	Washer 0.69	14
11	Nylon Insert Locknut 5-16 18	4
12	Hex Screw Fully Threaded 5/16 18	8
13	Grease Tubing End Cap	2
14	Grease Tubing	2
15	Grease Tubing Fitting	2
16	Grease Tubing Fitting Plastic Cap	2



C & M TOPLINE 5945 Daley Street Goleta CA 93117 1 800 827-1333 www.cmtopline.com	PART NO.	DB300D300
	DESCRIPTION	Mr Deburrr Base Assembly
SCALE:		SHEET 1 OF 1

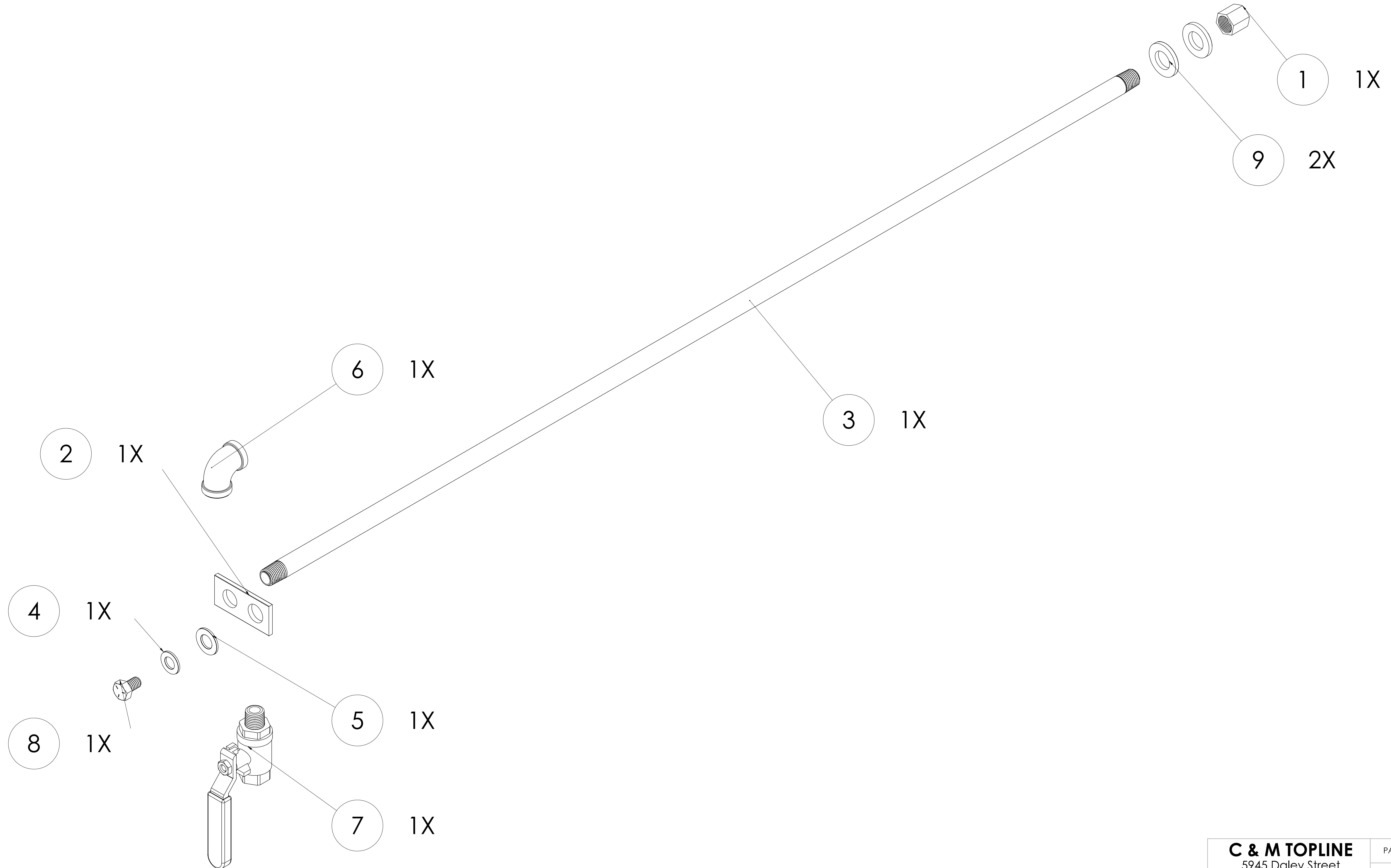
ITEM NO.	DESCRIPTION	QTY.
1	Flat End Spring	1
2	Hex Screw Partially Threaded 7/16 13	2
3	Spring Plastic Holder	2
4	Spring Washer 1.75 OD	2
5	Hex Nut 0.5 13	2
6	Spring Split Lock Washer	2



C & M TOPLINE
 5945 Daley Street
 Goleta CA 93117
 1 800 827-1333
 www.cmtoline.com

PART NO.	DB300D800
DESCRIPTION	Mr Debur Spring Assembly
SCALE: 1:1	SHEET 8 OF 9

ITEM NO.	PART NAME	QTY.
1	Spray Pipe End Cap	1
2	Spray Pipe Mounting Plate	1
3	Spray Pipe	1
4	Pipe Washer .675 OD	1
5	Pipe Washer .81 OD	1
6	Spray Pipe 90 degree Galvanized Fitting	1
7	Spray Pipe Valve	1
8	Hex Screw Fully Threaded 5/16 18	1
9	Washer 1.035 OD	2



C & M TOPLINE
 5945 Daley Street
 Goleta CA 93117
 1 800 827-1333
 www.cmtoline.com

PART NO.	DB300D200
DESCRIPTION	Mr Deburr Pipe Assembly
SCALE	SHEET 01 OF 1