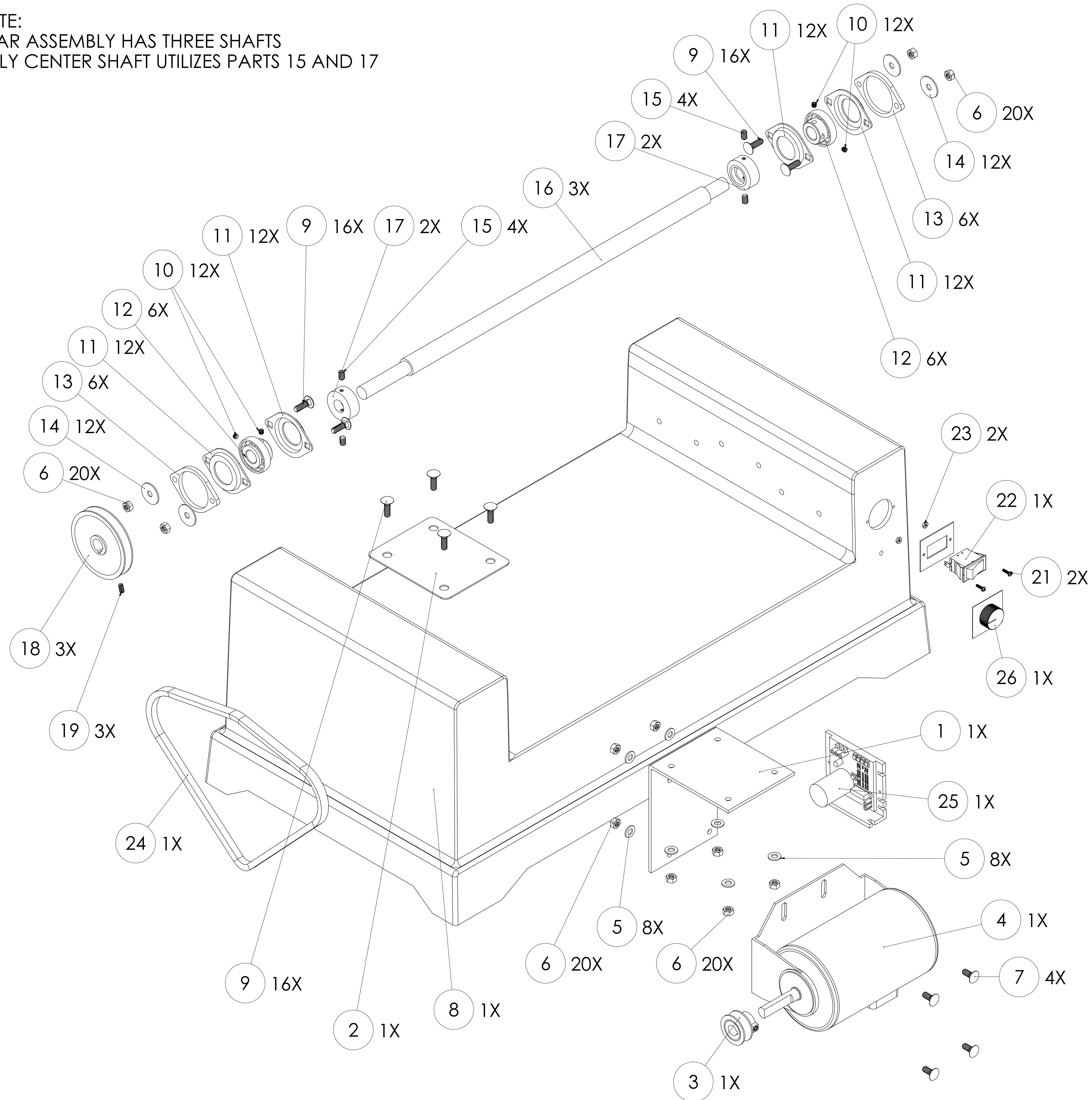


C & M TOPLINE
 5945 Daley Street
 Goleta CA 93117
 1 800 827-1333
 www.cmtoline.com

PART NO.	TL3BVSD000
DESCRIPTION	Three Bar Variable Speed
SCALE	SHEET 1 OF 2

NOTE:
3 BAR ASSEMBLY HAS THREE SHAFTS
ONLY CENTER SHAFT UTILIZES PARTS 15 AND 17



ITEM NO.	DESCRIPTION	QTY.
1	Motor Mount Bottom	1
2	Motor Mount Top	1
3	Motor Belt Pulley	1
4	Variable Speed AC Motor 98003.00	1
5	Washer 0.69	8
6	Hex Nut 5-16 18	20
7	Square Neck Bolt 5-16 18 0.75	4
8	Three Bar Tub	1
9	Square Neck Bolt 5-16 18 1	16
10	Cup Point Set Screw 1-4 28 0.25	12
11	Flange	12
12	Bearing	6
13	Bearing Rubber Cap	6
14	Washer 1.25	12
15	Cup Point Set Screw 5-16 18 0.5	4
16	Bearing Bar	3
17	Plastic Bar Cap	2
18	Bar Belt Pulley	3
19	Cup Point Set Screw 1-4 20 0.5	3
20	Switch Plate	1
21	6 32 0.5 Pan Head Screw	2
22	Rocker Switch	1
23	6 32 Hex Nut	2
24	Belt Three Bar	1
25	Variable Speed Controller	1
26	Knob Kit	1

C & M TOPLINE
5945 Daley Street
Goleta CA 93117
1 800 827-1333
www.cmtoline.com

PART NO.	TL3BVSD000
DESCRIPTION	Three Bar Variable Speed
SCALE	SHEET 1 OF 2