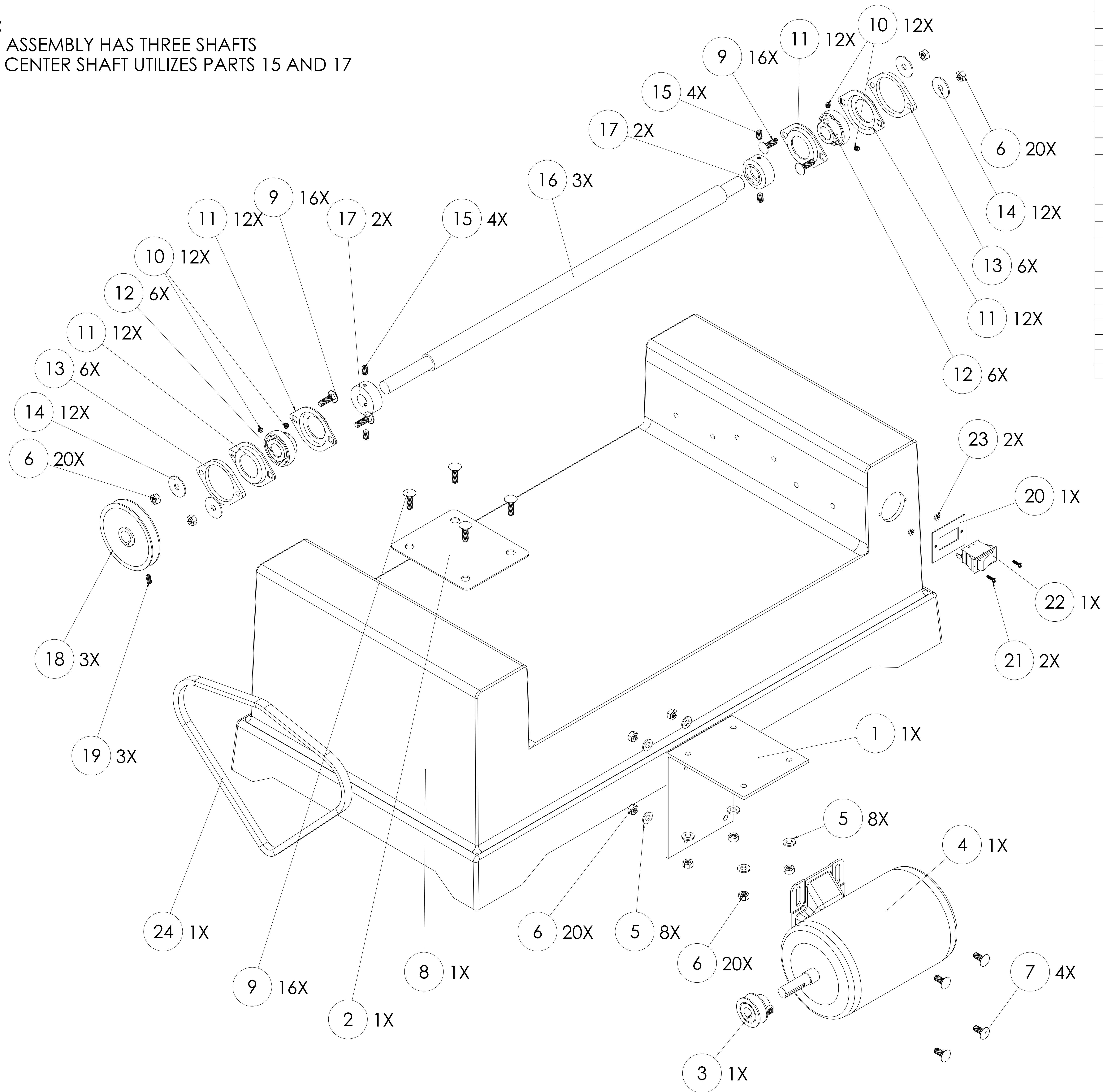


C & M TOPLINE
 5945 Daley Street
 Goleta CA 93117
 1 800 827-1333
 www.cmtoline.com

PART NO.	TL3B2SD000
DESCRIPTION	Three Bar Two Speed
SCALE	SHEET 1 OF 2

NOTE:
 3 BAR ASSEMBLY HAS THREE SHAFTS
 ONLY CENTER SHAFT UTILIZES PARTS 15 AND 17

ITEM NO.	DESCRIPTION	QTY.
1	Motor Mount Bottom	1
2	Motor Mount Top	1
3	Motor Belt Pulley	1
4	Motor F390	1
5	Washer 0.69	8
6	Hex Nut 5-16 18	20
7	Square Neck Bolt 5-16 18 0.75	4
8	Tube	1
9	Square Neck Bolt 5-16 18 1	16
10	Cup Point Set Screw 1-4 28 0.25	12
11	Flange	12
12	Bearing	6
13	Bearing Rubber Cap	6
14	Washer 1.25	12
15	Cup Point Set Screw 5-16 18 0.5	4
16	Bearing Bar	3
17	Plastic Bar Cap	2
18	Bar Belt Pulley	3
19	Cup Point Set Screw 1-4 20 0.5	3
20	Switch Plate	1
21	6 32 0.5 Pan Head Screw	2
22	Rocker Switch	1
23	6 32 Hex Nut	2
24	Belt Three Bar	1



C & M TOPLINE
 5945 Daley Street
 Goleta CA 93117
 1 800 827-1333
 www.cmtoline.com

PART NO.	TL3B2SD000
DESCRIPTION	Three Bar Two Speed
SCALE	1/8" = 1"