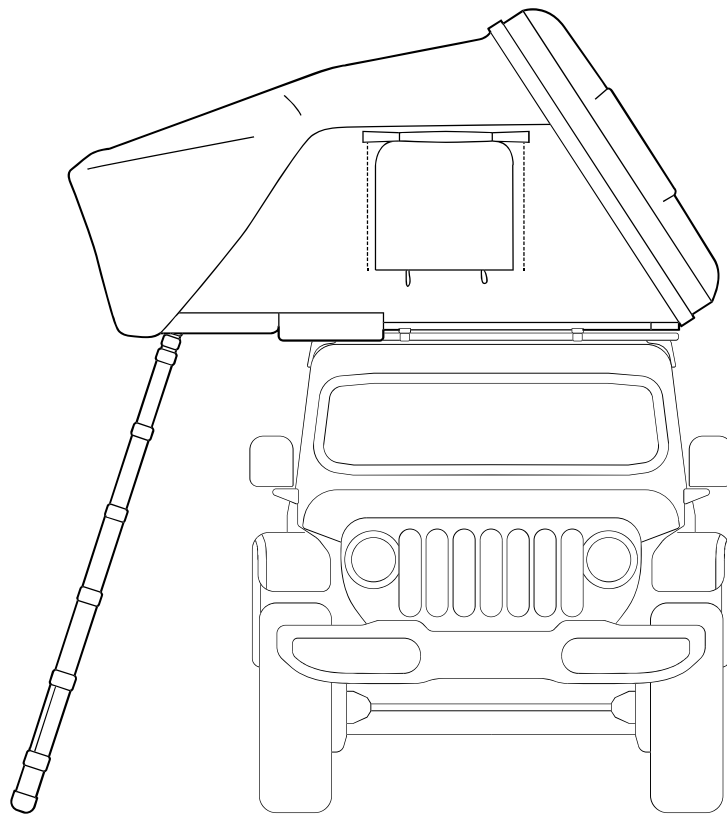


User Manual
MAN 11005-1

Skycamp 3.0

Skycamp 3.0 Mini



Love People, Love Nature
iKAMPER

Contents

User Manual

English

Precautions		02
Specifications	· Components	04, 06
	· Technical Specifications	05, 07
Mounting	· Overview	09
	· Crossbar Adjustment	10
	· Mounting the Skycamp	11
	· Installing the Mounting Brackets	12
Use	· Opening the Hardshell	15
	· Panel Extension	16
	· Installing the Ladder	17
	· Erecting the Canopy	18
	· Mattress Setup & Options	19
Takedown	· Putting Back the Mattress & Tension Poles	20
	· Folding the Ladder & Panel	21
	· Closing the Hardshell	22
Warranty		23

*This product can be changed without notice for performance improvement and may differ slightly from the contents and images of the user manual.

Precautions



iKamper products are designed to make outdoor activities more convenient. Strict quality control and inspection are carried out to ensure the production of safe products. However, there is always a risk of accidents during outdoor activities and you should always be careful about your safety. You should be aware that misuse of the product may result in serious injury or death beyond property damage or personal injury. Your safety in certain situations depends on your ability and your experience. Therefore, always be mindful of your surroundings and weather conditions. Because the equipment does not guarantee your safety, you should be familiar with the use of the product in advance, have sufficient practice, and use it within the scope of capability and the endurance limit of the equipment. If you have any questions about installation or use, please contact support@ikamper.com.

Mounting

- Make sure you have all the components after purchase.
- Please follow the directions provided and consult iKamper support if further assistance is needed.
- Please be careful when moving the product as the product is heavy.
- Be sure to wear safety gloves and protective shoes.
- If you have any health issues, do not attempt to install the product yourself.
- The roof rack of some vehicles may not be suitable for installing rooftop tents.
- Please fully familiarize yourself with the mounting method when you do it by yourself. (See pages 10-13 or visit website for mounting video)
- If you have any further questions about the installation, please contact a sales representative.

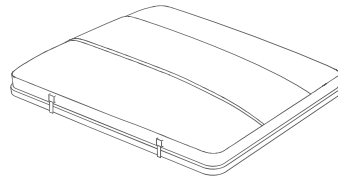
Driving

- Please ensure the tent is securely mounted before driving the vehicle. Accidents and/or damage can occur if mounting brackets are not secure.
- Make sure the hardshell is completely closed and latches are secured before driving.
- The top recommended speed is 70 mph (110 km/h).
- The speed of the vehicle may vary depending on the driving conditions such as type of road, condition of the road, weather (wind, rain) and speed limits.
- Please refrain from using the product as much as possible in severe weather conditions (hurricane, heavy rain, heavy snow, etc).
- Be sure to slow down your vehicle when driving on uneven roads or over speed bumps.
- For vehicles with weak roof racks, special care is required as the roof rack may be broken while driving
- If you enter an area with low vertical clearance after mounting the tent, you should take extra care to drive the vehicle as the tent may be damaged.
- Do not drive the vehicle with the tent deployed.

-
- Installation**
- Please note that excessive force on the product during installation may cause damage.
 - Using damaged products may lead to safety accidents. Contact iKamper After Service if you believe that your product is damaged.
 - When using the tent, the ladder acts as a support. Therefore, the customer should inspect the locks of each step of the ladder and confirm ladder is stable. If locks are faulty or ladder is unstable when the person climbs up, it may cause damage to the product or cause physical injury.
 - The ground in which the tent is installed should be flat and firm and should be avoided under the following conditions : slippery places where the ladder is at risk of being moved, such as rocks, sand, mud, gravel, or angled surfaces.
- Use**
- Do not leave your children alone in the tent.
 - Be careful not to fall when using the ladder.
 - The ladder steps can be slippery due to rain, mud, dirt and/or ice.
 - Never use flammables inside the tent.
 - Do not set up the tent near a campfire or fire pit. Embers are very likely to cause holes in the fabric, which can lead to fire or product damage.
 - The composition of the fabric of the tent is a mix of cotton and it can be affected by moisture on parts of the fabric depending on the amount of rain or time exposed to rain. This is not a product defect and is a natural phenomenon due to the characteristics of the poly-cotton tent. (For more information, please see the enclosed document with seam sealer.)
 - For safety reasons, tents should not be used in the event of strong winds exceeding 23mph (10m/sec, 20knot).
 - Please refrain from using it in bad weather conditions (hurricanes, heavy rain, storms, heavy snow, etc.).
- Maintenance**
- Be sure to keep it completely dry.
 - Due to the construction of poly-cotton canvas, it is possible in rare cases that you may experience slight leaking around seams during heavy rain and wind.
 - Long-term storage in wet conditions can cause fungus, odor, and discoloration, which can shorten the life of the product.
 - Due to the construction of poly-cotton canvas, it is possible in rare cases that you may experience slight leaking around seams during heavy rain and wind.
 - Be sure to remove any contaminants or foreign substances, as these can damage the product.
- Hardshell**
- When the hardshell is exposed to the outside elements for a long period of time, dust, snow, rain, dew, etc. mineral deposits can occur on the hardshell surface causing gloss to become worn out. Applying a wax coating once every 2 months will help to prevent this.
 - Do not leave rain or allow snow to melt on your hardshell.

Specifications : Skycamp 3.0

Components



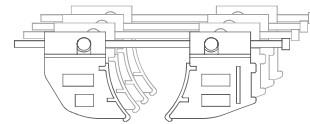
Tent ×1



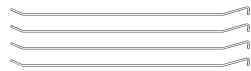
Ladder ×1



Tension Pole A Type ×2



Mounting Bracket ×4



Tension Pole B Type ×4

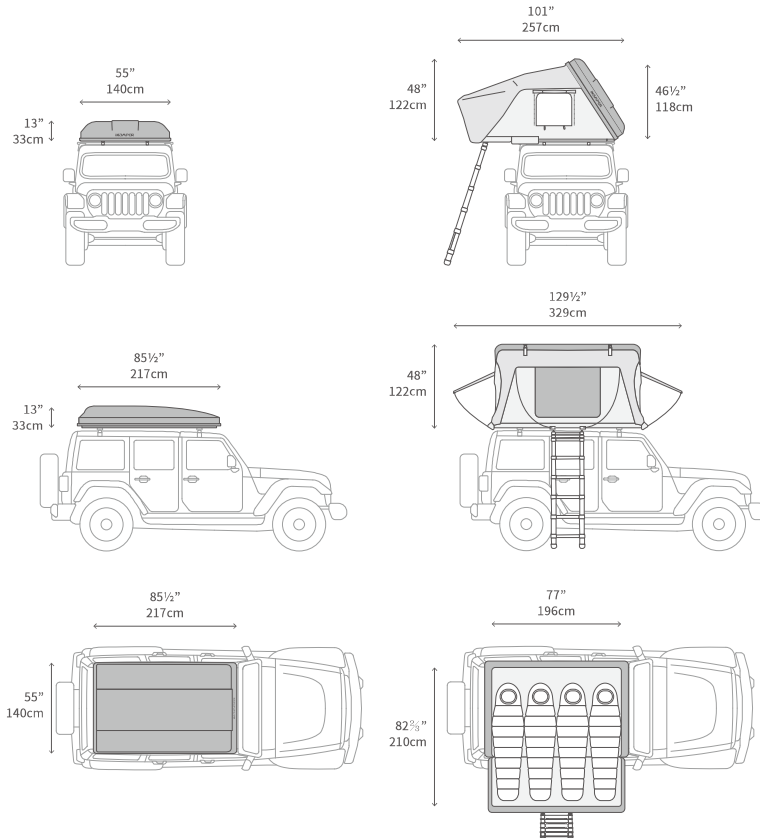


Allen Wrench ×1



Rail end Cap ×4

Technical Specifications

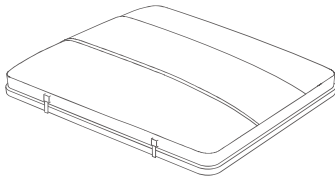


- Weight 163lb, 74kg
- Capacity 900lb, 408kg
- Ladder Capacity 330lb, 150kg
- Speed Limit 70mph, 110km/h
- Wind Rating 23mph, 10m/s, 20knots
- Hardshell Double layered FRP
- Rainfly Black, Poly Rip-Stop 75D, PU(Black) Pigment Coating, W/P 3000mm, DWR PFC-FREE, UV
- Inner Tent Gray color, T/C 20's (65/35) , W/R, 300g/Sqm
- Floor Aluminum Honeycomb

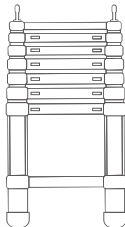
*Actual measurements between individual products may vary.

Specifications : Skycamp 3.0 Mini

Components



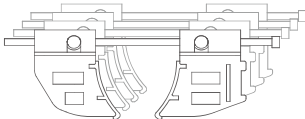
Tent ×1



Ladder ×1



Tension Pole B Type ×2



Mounting Bracket ×4



Tension Pole C Type ×4

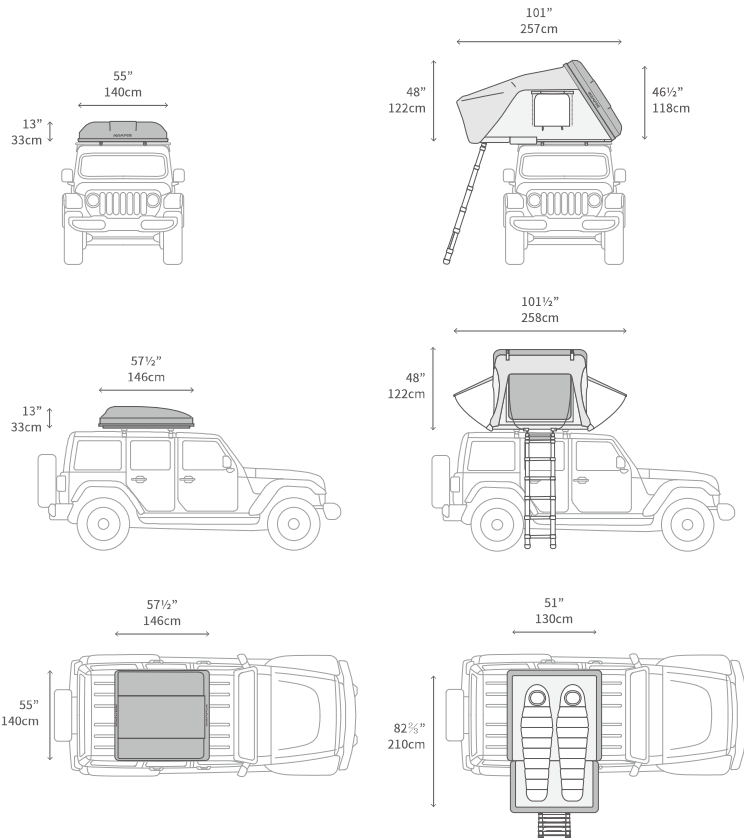


Allen Wrench ×1



Rail end Cap ×4

Technical Specifications



- Weight 123lb, 56kg
- Capacity 900lb, 408kg
- Ladder Capacity 330lb, 150kg
- Speed Limit 70mph, 110km/h
- Wind Rating 23mph, 10m/s, 20knots
- Hardshell Double layered FRP
- Rainfly Black, Poly Rip-Stop 75D, PU(Black) Pigment Coating, W/P 3000mm, DWR PFC-FREE, UV
- Inner Tent Gray color, T/C 20's (65/35) , W/R, 300g/Sqm
- Floor Aluminum Honeycomb

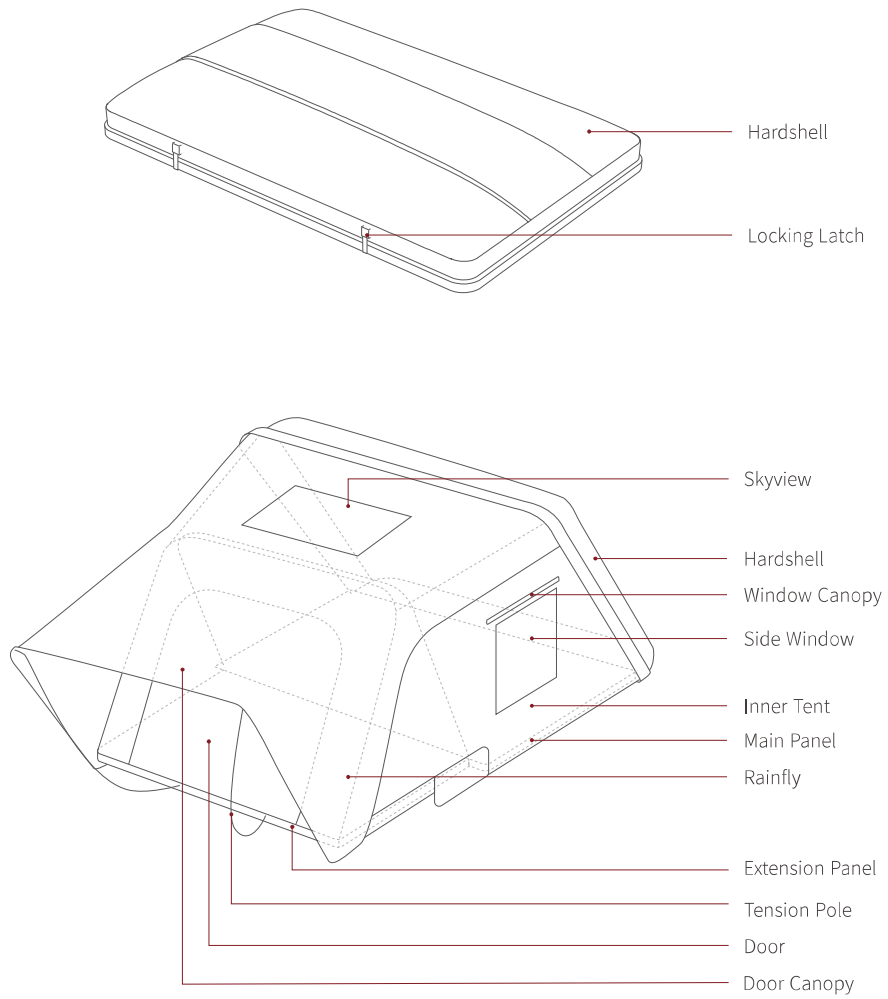
*Actual measurements between individual products may vary.

Mounting



- Your vehicle must have a roof rack or crossbars installed in order to mount the Skycamp. (Not included)
- Check the load capacity of the roof rack or crossbars.
 - Weight of Skycamp : 163lb, 74kg
 - Weight of Skycamp Mini : 123lb, 56kg
- The product must be securely mounted in the correct location for your safety.
- Please follow the directions provided and consult iKamper support if further assistance is needed.
- External influences may cause the bolts to become loose.

Overview

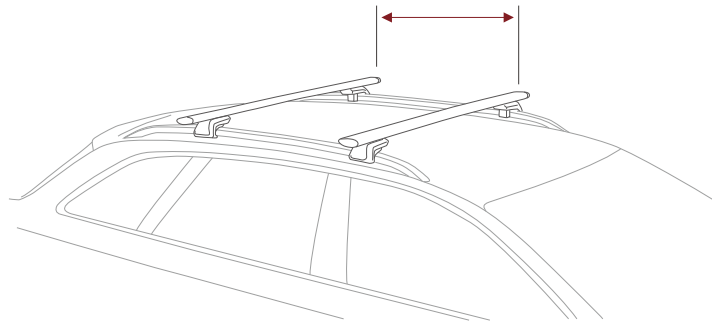


**Crossbar
Adjustment**
(Not included)

- 1 Before installing the Skycamp, adjust the distance between the roof rack or crossbars.
- 2 Make sure that the roof rack or crossbars are securely fastened.

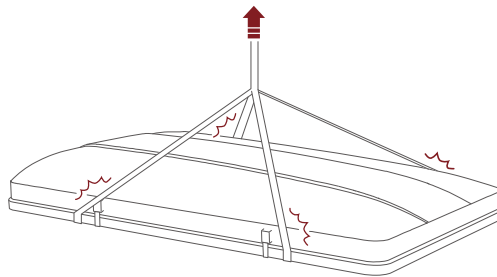
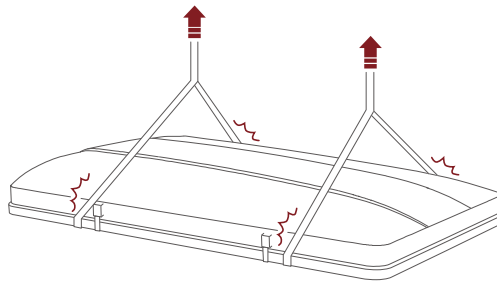
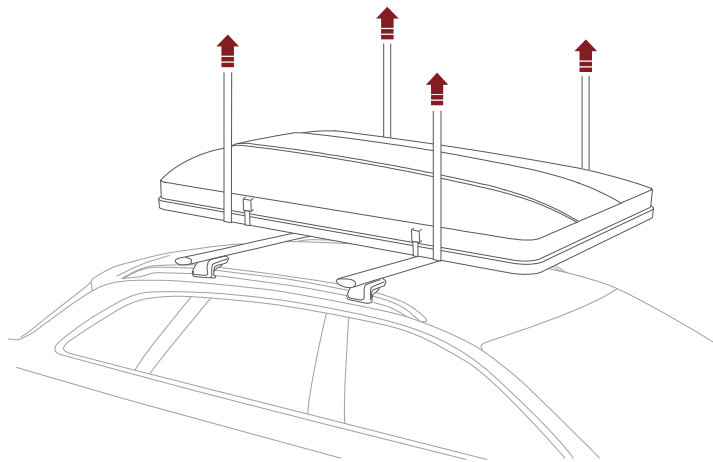
Minimum Distance

- Skycamp : 30", 76cm
- Skycamp Mini : 22", 55cm

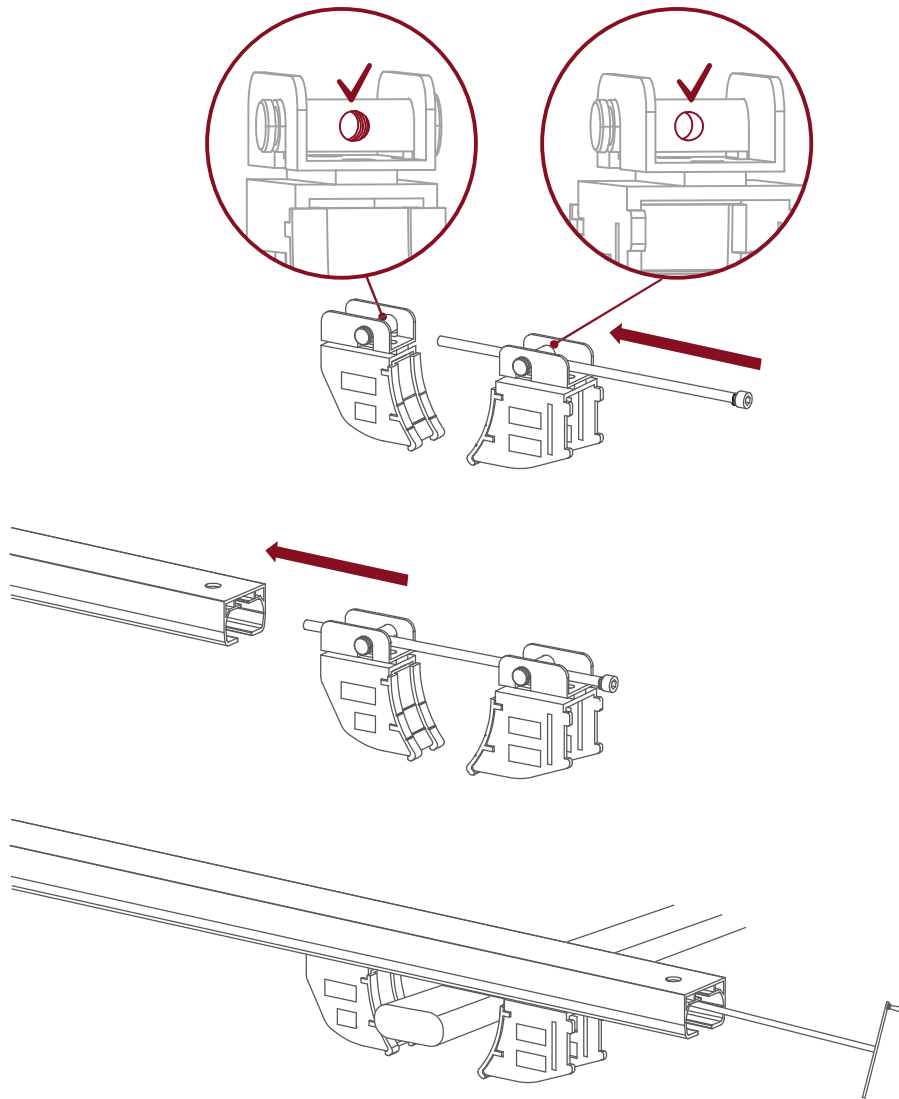


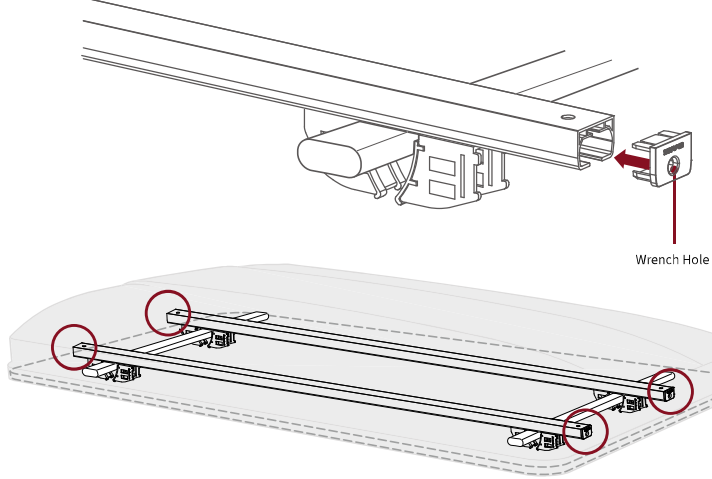
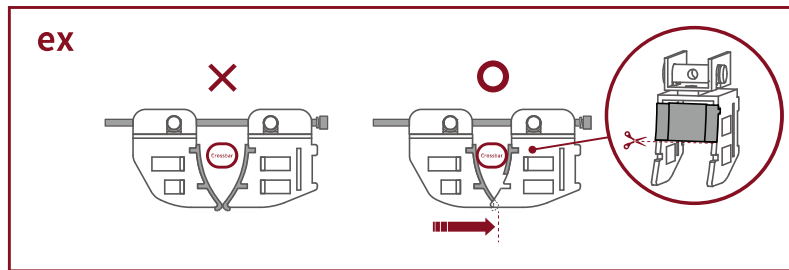
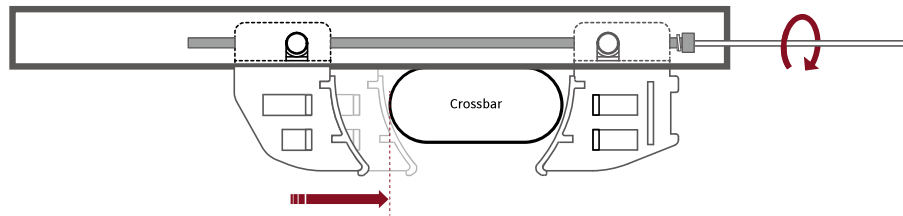
Mounting the Skycamp

- 1 Lift up vertically at least 4 points of the hardshell.
(If you don't have special equipment such as a lift, work with several adults.)
 - 2 Make sure the Skycamp is centered.
- ⚠ Caution : Be careful not to press the hardshell when using the lift.



Installing
the
Mounting
Brackets





Use

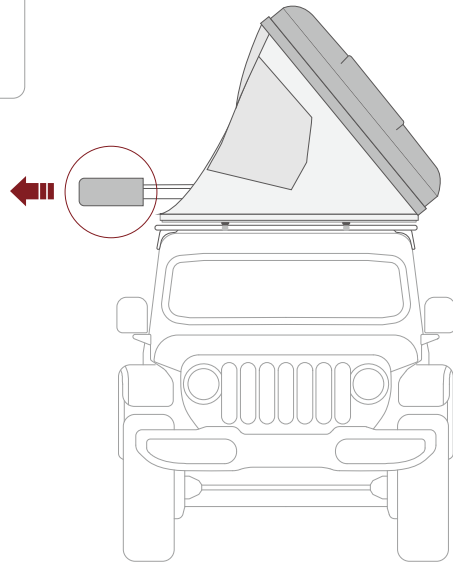
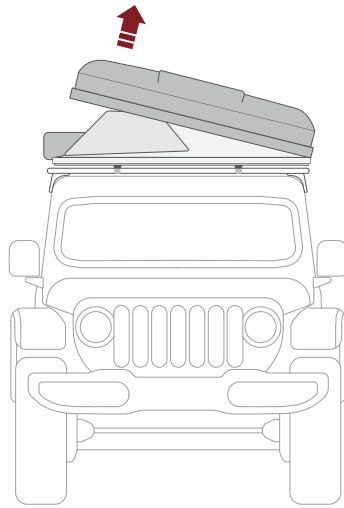


- Allow the tent to ventilate sufficiently before first use.
- Do not install the ladder on uneven ground, or on rocks, sand, or mud.
- The ladder acts as the support for the Skycamp's extension panel.
- Always make sure the ladder is firmly planted in the ground, and each step is securely locked before going up the ladder.
- Accidental folding of the ladder can result in serious injury or product damage.
- If the terrain does not allow the ladder to have a stable, even base, move your vehicle to another spot.
- Grab the sides of the ladder with both hands at all times.
- Take one step at a time.
- Be careful not to fall when using the ladder.
- Be careful not to get hurt by the elasticity of the tension pole.
- Please refer to video for detailed installation instructions.
www.ikamper.com/tech-specs-instructions



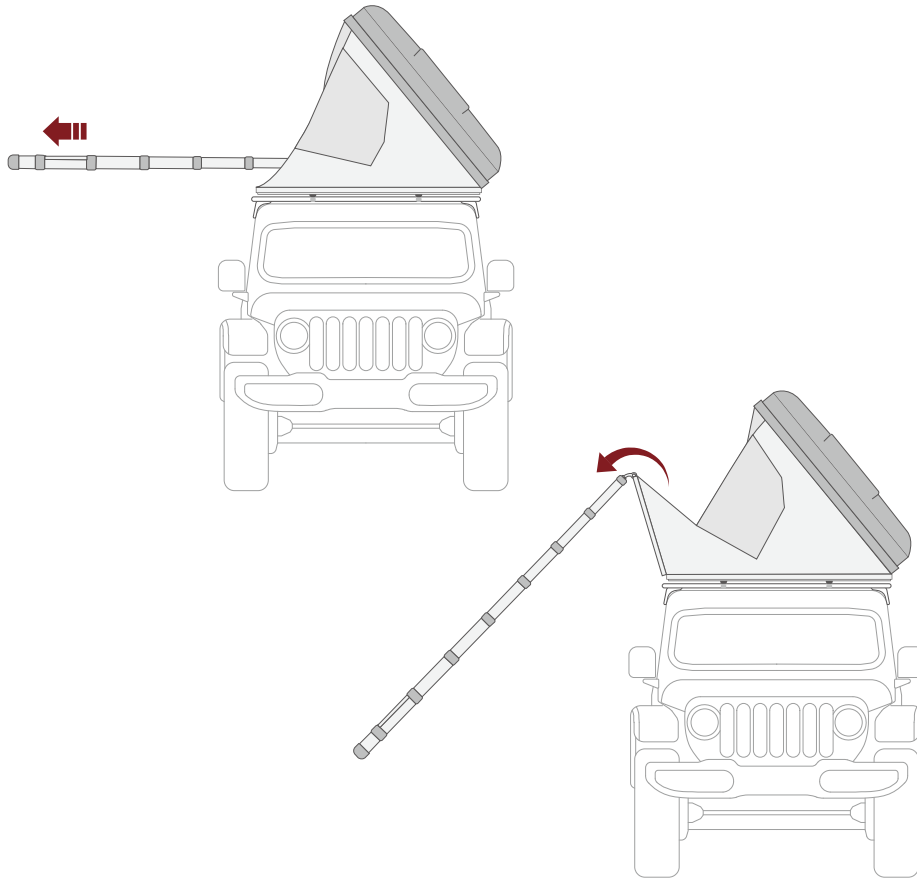
Opening the Hardshell

- 1 Release the hardshell lock using the key.
- 2 Push the hardshell up. The gas struts will allow it to open on its own.
- 3 Remove the ladder cover.



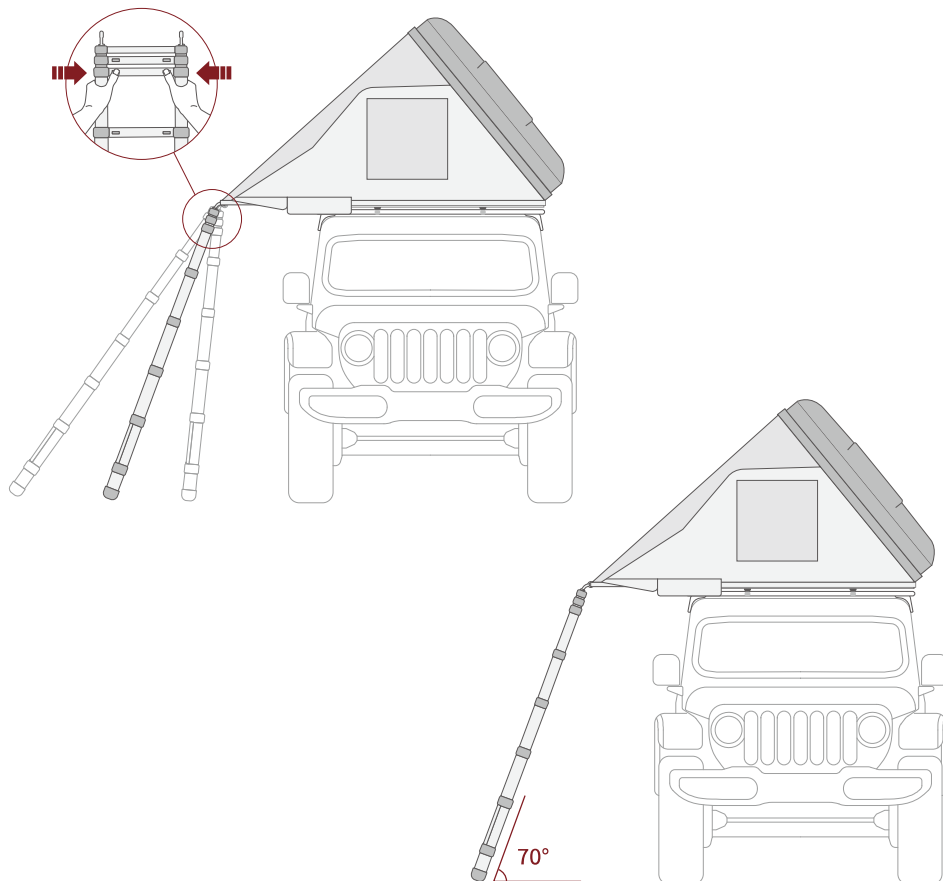
**Panel
Extension**

- 1 Pull the ladder towards you, allowing it to extend completely.
- 2 When the ladder is fully extended, each of the steps will automatically lock.
- 3 Push down on the ladder, as it acts as a lever and lowers the extension floor.



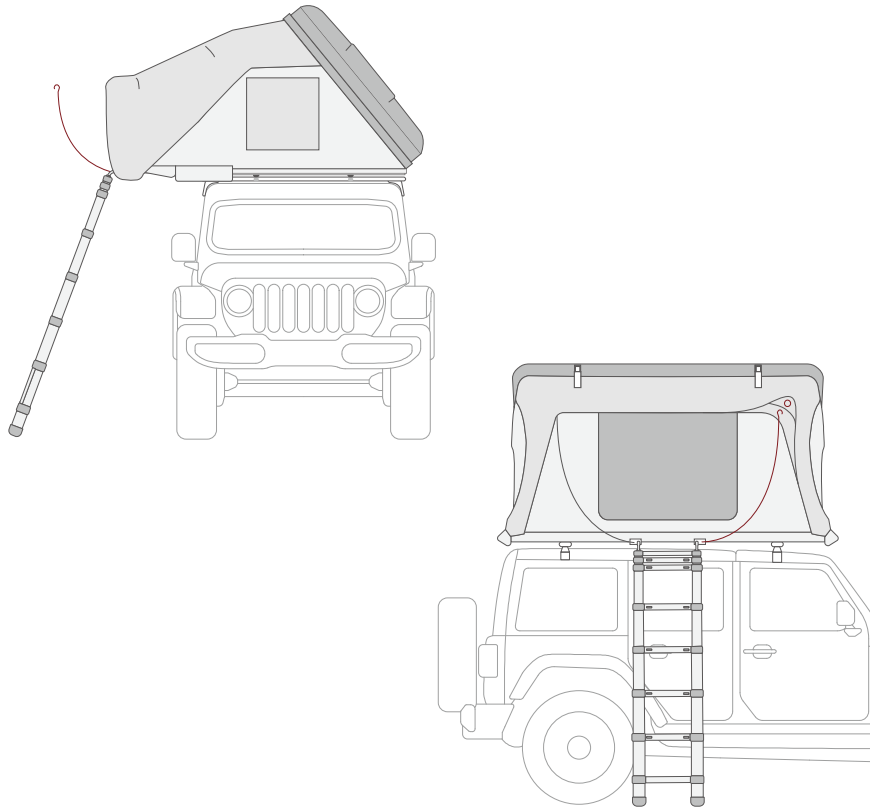
Installing the Ladder

- 1 The main panel (floor) and extension panel should be horizontal, with a small space between the two panels (the extension panel should be lifted up slightly higher than the main panel).
- 2 The ideal angle for the ladder axis and the ground is about 70 degrees.
- 3 Ladder height can be adjusted by pressing the slide button on the left and right sides of the steps with both hands.
- 4 When adjusting the height of the ladder, make sure that it is securely fastened with a 'click'.



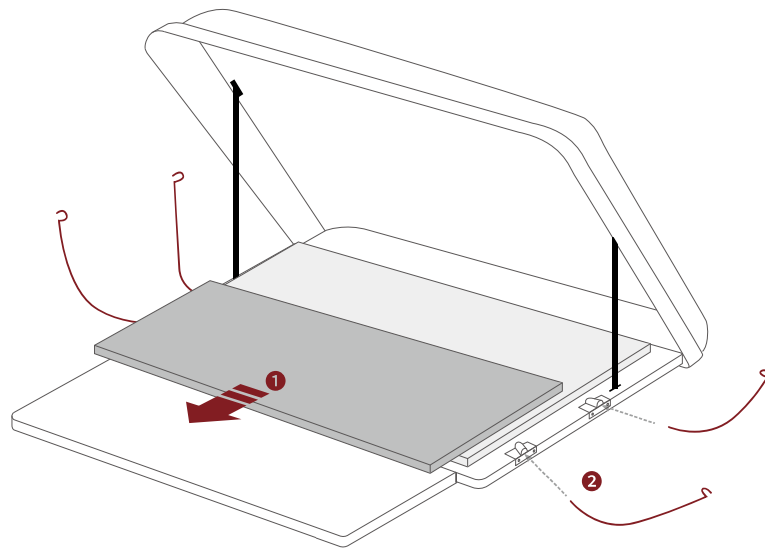
**Erecting
the
Canopy**

- 1 Skycamp : 2 of the 6 tension poles are longer and are used for the entrance.
Skycamp Mini : 2 of the 6 tension poles are shorter and are used for the entrance.
- 2 Insert the tension pole diagonally into the bracket connecting the ladder to the extension panel. The tension pole should be inserted gently until you hear a “click” sound.
- 3 Insert the tension pole’s hook into the metal grommet at the corner of the rainfly.
- 4 Connect the loops on the rainfly to the hook under the extension panel.



**Mattress
Setup
& Options**

- 1 Pull the mattress for the extension panel to adjust its position.
- 2 Skycamp : 4 of the 6 tension poles are shorter and are used for the window canopies.
Skycamp Mini : 4 of the 6 tension poles are longer and are used for the window canopies.



Takedown



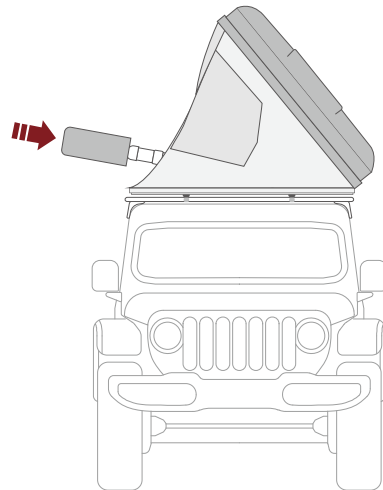
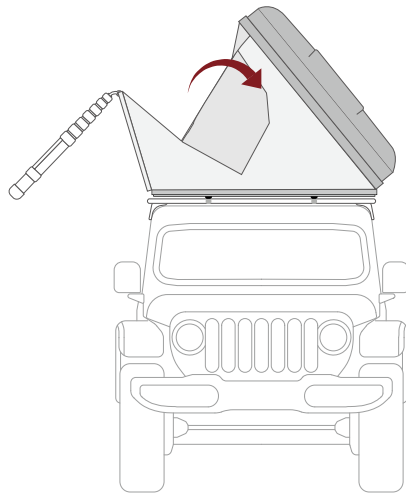
- Make sure there are no items left in the tent.
- Fold the tent after allowing it to dry it completely.
- Be careful not to pinch your fingers when folding the ladder.
- Be sure to use ladder cover to prevent discoloration of skyview vinyl and keep the tent clean.
- Please refer to the video for detailed instructions.

Putting Back the Mattress & Tension Poles

- 1 Place the mattress for the extension panel onto the mattress for the main panel.
- 2 Remove installed tension poles.
- 3 Close the zipper of the open window, but leave it slightly open to let some air out when the tent is folded.

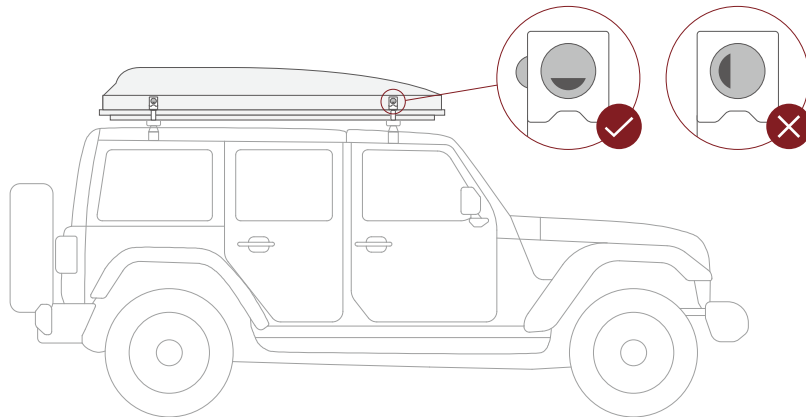
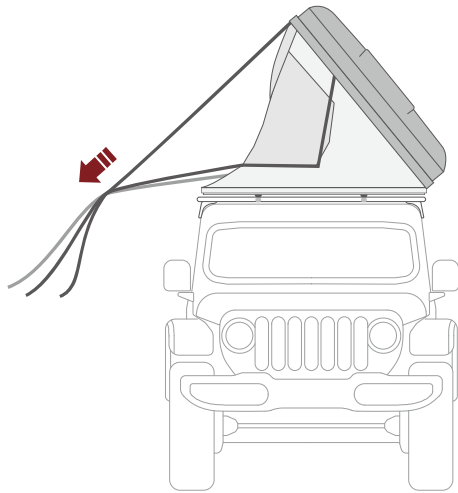
**Folding
the
Ladder
& Panel**

- 1 Fold the ladder from the top to bottom.
- 2 Lift the ladder to fold the extension panel.
- 3 Replace the ladder cover.



**Closing
the
Hardshell**

- 1 Close the hardshell by pulling on the 3 straps.
- 2 Make sure the tent material is tucked into the Skycamp on the front, back and side before closing.
- 3 Pull down on the hardshell, and securely fasten the locks.
- 4 Make sure both latches are securely locked before driving.



Warranty

User Manual

English

Thank you for purchasing this iKamper product. This is made through rigorous quality control and inspection and has a two-year warranty period.

2 year Warranty

For 2 years from the date of purchase, iKamper will repair or replace (at our option) defective parts at no cost to the customer if they need to be repaired due to performance or functional defects during normal use.

Exceptions

- Normal wear and tear, or cosmetic blemishes occurring as a result of use.
- Aesthetic changes that do not affect the general operation of rooftop tents. (discoloration of fabric, discoloration of vinyl windows, etc.)
- If the product is arbitrarily repaired or modified by the customer.
- Damage caused by careless storage and use.
- Discoloration of hardshell due to UV exposure or poor maintenance.

iKamper Official Dealers

iKamper products are available directly on our website and from our growing list of partners. Please check the location closest to you to see iKamper products in person, receive professional advice as well as installation. Make sure to call in advance as each location does not have every iKamper model on display.

www.ikamper.com/locations

