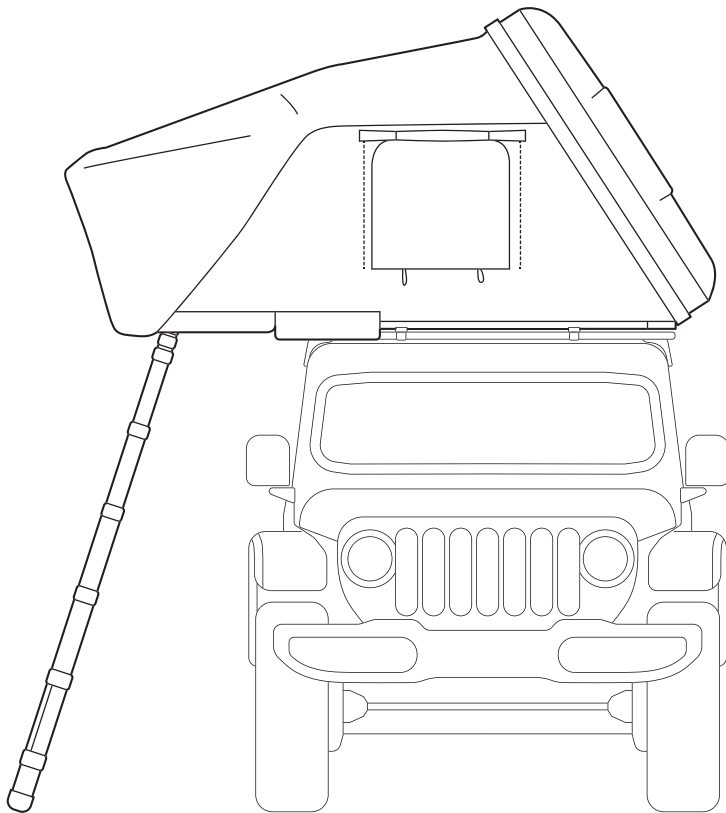


Skycamp **DLX** Skycamp **DLX** Mini



Precautions		02
Specifications	· Components	04, 06
	· Technical Specifications	05, 07
Mounting	· Overview	09
	· Crossbar Adjustment	10
	· Mounting the Skycamp DLX / DLX Mini	11
	· Installing the Mounting Brackets	12
Use	· Opening the Hardshell	15
	· Panel Extension	16
	· Installing the Ladder	17
	· Erecting the Canopy	18
	· Mattress Setup & Options	19
	· How to inflate using Air Down	20
	· Turning on LIGHT BAR KIT	21
Takedown	· Turning off LIGHT BAR KIT	22
	· Deflating using Air Down	23
	· Putting Back the Mattress & Tension Poles	24
	· Folding the Ladder & Panel	25
	· Closing the Hardshell	26
Warranty		27

*This product can be changed without notice for performance improvement and may differ slightly from the contents and images of the user manual.

Precautions



iKamper products are designed to make outdoor activities more convenient. Strict quality control and inspection are carried out to ensure the production of safe products. However, there is always a risk of accidents during outdoor activities and you should always be careful about your safety. You should be aware that misuse of the product may result in serious injury or death beyond property damage or personal injury. Your safety in certain situations depends on your ability and your experience. Therefore, always be mindful of your surroundings and weather conditions. Because the equipment does not guarantee your safety, you should be familiar with the use of the product in advance, have sufficient practice, and use it within the scope of capability and the endurance limit of the equipment. If you have any questions about installation or use, please contact support@ikamper.com.

Mounting

- Make sure you have all the components after purchase.
- Please follow the directions provided and consult iKamper support if further assistance is needed.
- Please be careful when moving the product as the product is heavy.
- Be sure to wear safety gloves and protective shoes.
- If you have any health issues, do not attempt to install the product yourself.
- The roof rack of some vehicles may not be suitable for installing rooftop tents.
- Please fully familiarize yourself with the mounting method. Please verify with vehicle or rack manufacturer prior to installation. (See pages 10-13 or visit website for mounting video)
- If you have any further questions about the installation, please contact a sales representative.

Driving

- Please ensure the tent is securely mounted before driving the vehicle. Accidents and/or damage can occur if mounting brackets are not secure.
- Make sure the hardshell is completely closed and latches are secured before driving.
- The top recommended speed is 70 mph (110 km/h).
- The speed of the vehicle may vary depending on the driving conditions such as type of road, condition of the road, weather (wind, rain) and speed limits.
- Please refrain from using the product as much as possible in severe weather conditions (hurricane, heavy rain, heavy snow, etc).
- Be sure to slow down your vehicle when driving on uneven roads or over speed bumps.
- Do not use roof rack that do not meet the minimum dynamic weight rating of 75kg (165LBS).
- If you enter an area with low vertical clearance after mounting the tent, you should take extra care to drive the vehicle as the tent may be damaged.
- Do not drive the vehicle with the tent deployed.

Installation

- Please note that excessive force on the product during installation may cause damage.
- Using damaged products may lead to accidents. Contact iKamper if you believe that your product is damaged.
- When using the tent, the ladder acts as a support. Therefore, the customer should inspect the locks of each step of the ladder and confirm ladder is stable. If locks are faulty or ladder is unstable when the person climbs up, it may cause damage to the product or cause physical injury.
- The ground in which the tent is installed should be flat and firm Avoid : slippery places where the ladder is at risk of moving, such as rocks, sand, mud, gravel, or angled surfaces.

Use

- Do not leave your children alone in the tent.
- Be careful not to fall when using the ladder. Maintain the 3 points of contact when using the ladder.
- The ladder steps can be slippery due to rain, mud, dirt and/or ice.
- Never use flammables inside the tent. including heaters or cooking devices.
- Do not set up the tent near a campfire or fire pit. Embers are very likely to cause holes in the fabric, which can lead to fire or product damage.
- The composition of the fabric of the tent is a mix of cotton and it can be affected by moisture on parts of the fabric depending on the amount of rain or time exposed to rain. This is not a product defect and is a natural phenomenon due to the characteristics of the poly-cotton tent. (For more information, please see the enclosed document with seam sealer.)
- For safety reasons, tents should not be used in the event of strong winds exceeding 23mph (10m/sec, 20knot).
- Please refrain from using it in bad weather conditions (hurricanes, heavy rain, storms, heavy snow, etc.).

Maintenance

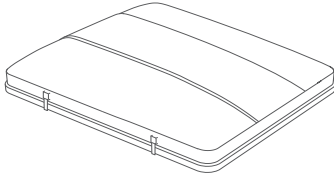
- Be sure to completely air out and dry tent after each use to avoid mold, and damage to the tent.
- Due to the construction of poly-cotton canvas, it is possible in rare cases that you may experience slight leaking around seams during heavy rain and wind.
- Long-term storage in wet conditions can cause fungus, odor, and discoloration, which can shorten the life of the product.
- Be sure to remove any contaminants or foreign substances, as these can damage the product.

Hardshell

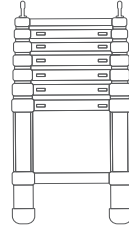
- When the hardshell is exposed to the outside elements for a long period of time, dust, snow, rain, dew, etc. mineral deposits can occur on the hardshell surface causing gloss to become worn out. Applying a wax coating once every 2 months will help to prevent this.
- Do not leave rain or allow snow to melt on your hardshell.
- Oxidation may occur if shell is not properly maintained.

Specifications : **Skycamp DLX**

Components



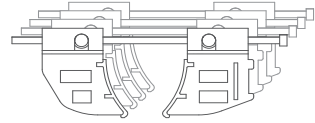
Tent ×1



Ladder ×1



Tension Pole A Type ×2



Mounting Bracket ×4



Tension Pole B Type ×4

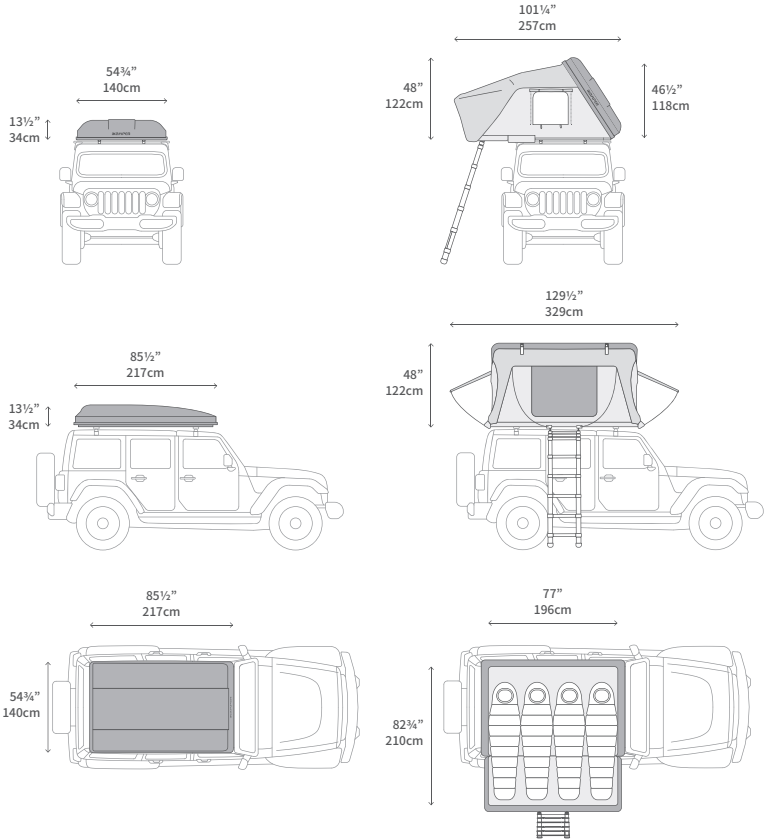


Allen Wrench ×1



Rail end Cap ×4

Technical Specifications

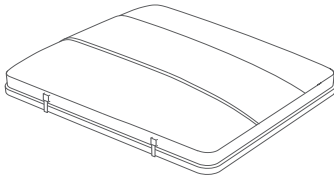


- Weight
 - Tent - 155lb, 70kg
 - Ladder - 13lb, 6kg
 - RTT Comfort - 15lb, 7kg
- Capacity
 - 900lb, 408kg
- Ladder Capacity
 - 330lb, 150kg
- Speed Limit
 - 70mph, 110km/h
- Wind Rating
 - 23mph, 10m/s, 20knots
- Hardshell
 - Double layered FRP
- Rainfly
 - Black, Poly Rip-Stop 75D, PU(Black) Pigment Coating, W/P 3000mm, DWR PFC-FREE, UV
- Inner Tent
 - Gray color, T/C 20's (65/35) , W/R, 300g/Sqm
- Floor
 - Cork + Aluminum

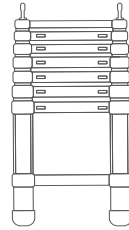
*Actual measurements between individual products may vary.

Specifications : **Skycamp DLX** Mini

Components



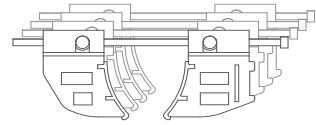
Tent ×1



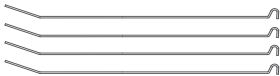
Ladder ×1



Tension Pole B Type ×2



Mounting Bracket ×4



Tension Pole C Type ×4

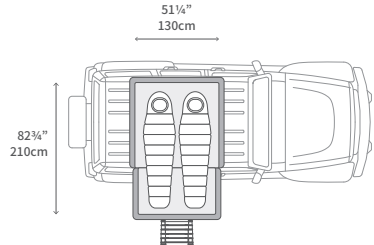
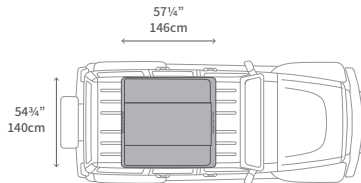
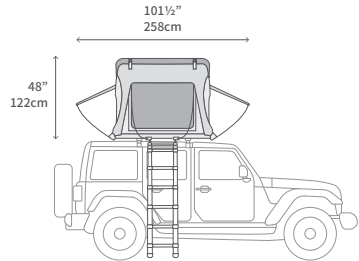
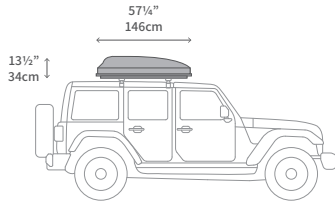
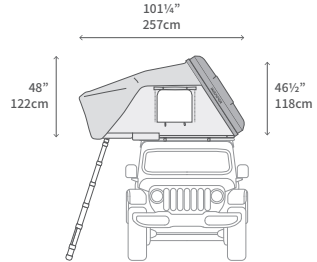
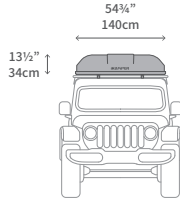


Allen Wrench ×1



Rail end Cap ×4

Technical Specifications



- Weight
 - Tent - 110lb, 50kg
 - Ladder - 13lb, 6kg
 - RTT Comfort - 11lb, 5kg
- Capacity 900lb, 408kg
- Ladder Capacity 330lb, 150kg
- Speed Limit 70mph, 110km/h
- Wind Rating 23mph, 10m/s, 20knots
- Hardshell Double layered FRP
- Rainfly Black, Poly Rip-Stop 75D, PU(Black) Pigment Coating, W/P 3000mm, DWR PFC-FREE, UV
- Inner Tent Gray color, T/C 20's (65/35) , W/R, 300g/Sqm
- Floor Cork + Aluminum

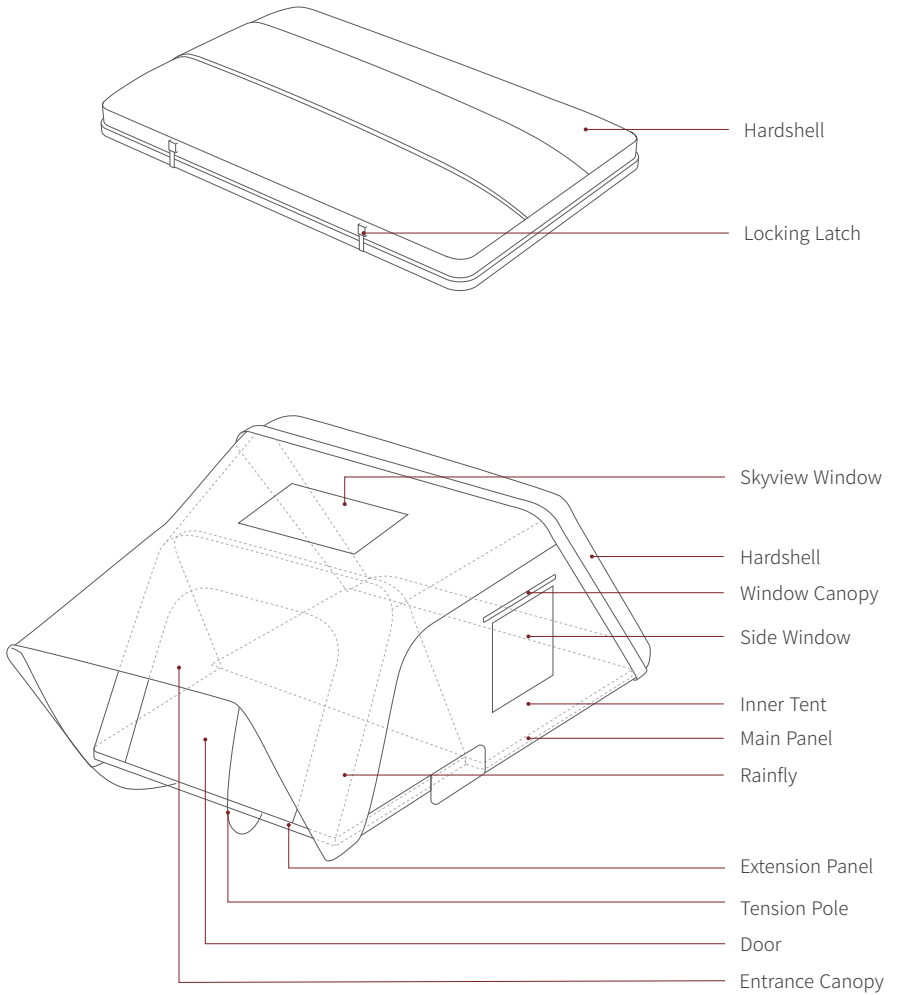
*Actual measurements between individual products may vary.

Mounting



- Your vehicle must have a roof rack or crossbars installed in order to mount the Skycamp DLX / DLX Mini. (Not included)
- Check the load capacity of the roof rack or crossbars.
 - Weight of Skycamp DLX :
Tent - 155lb, 70kg / Ladder - 13lb, 6kg / RTT Comfort - 15lb, 7kg
 - Weight of Skycamp DLX Mini :
Tent - 110lb, 50kg / Ladder - 13lb, 6kg / RTT Comfort - 11lb, 5kg
- The product must be securely mounted in the correct location for your safety.
- Please follow the directions provided and consult iKamper support if further assistance is needed.
- External influences may cause the bolts to become loose.

Overview

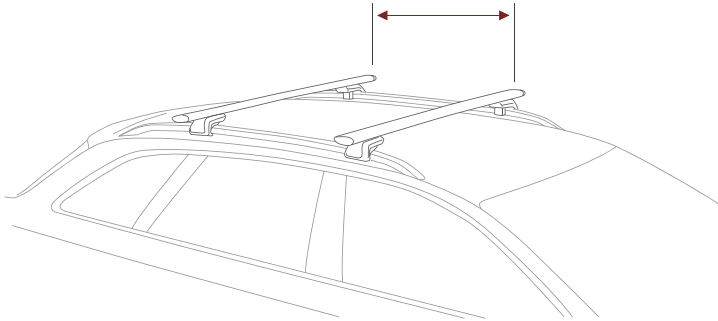


**Crossbar
Adjustment**
(Not included)

- 1 Before installing the Skycamp DLX /DLX Mini, adjust the distance between the roof rack or crossbars.
- 2 Make sure that the roof rack or crossbars are securely fastened.

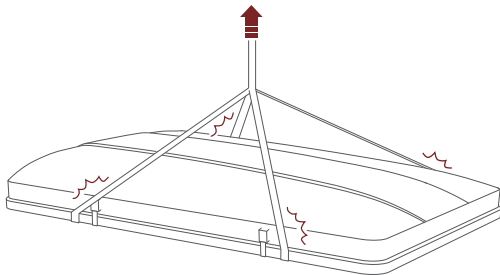
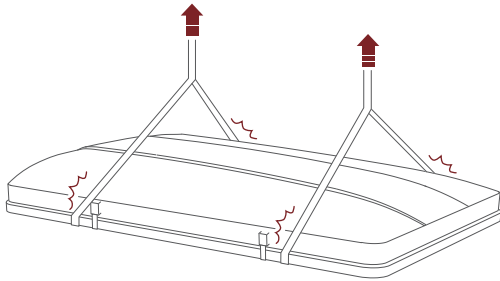
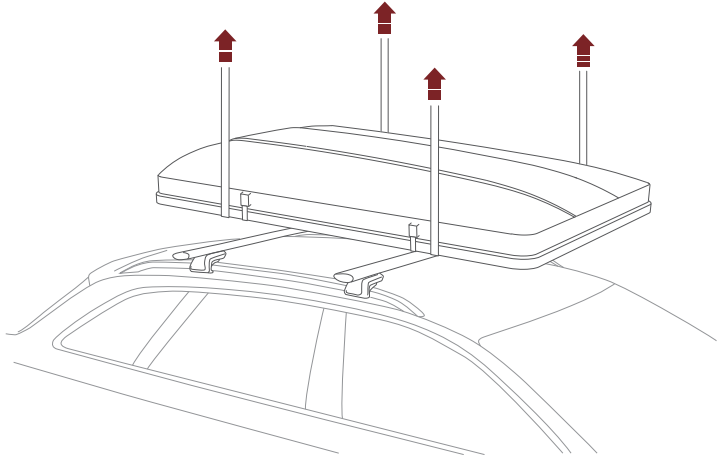
Minimum Distance

- Skycamp DLX : 30", 76cm
- Skycamp DLX Mini : 22", 55cm

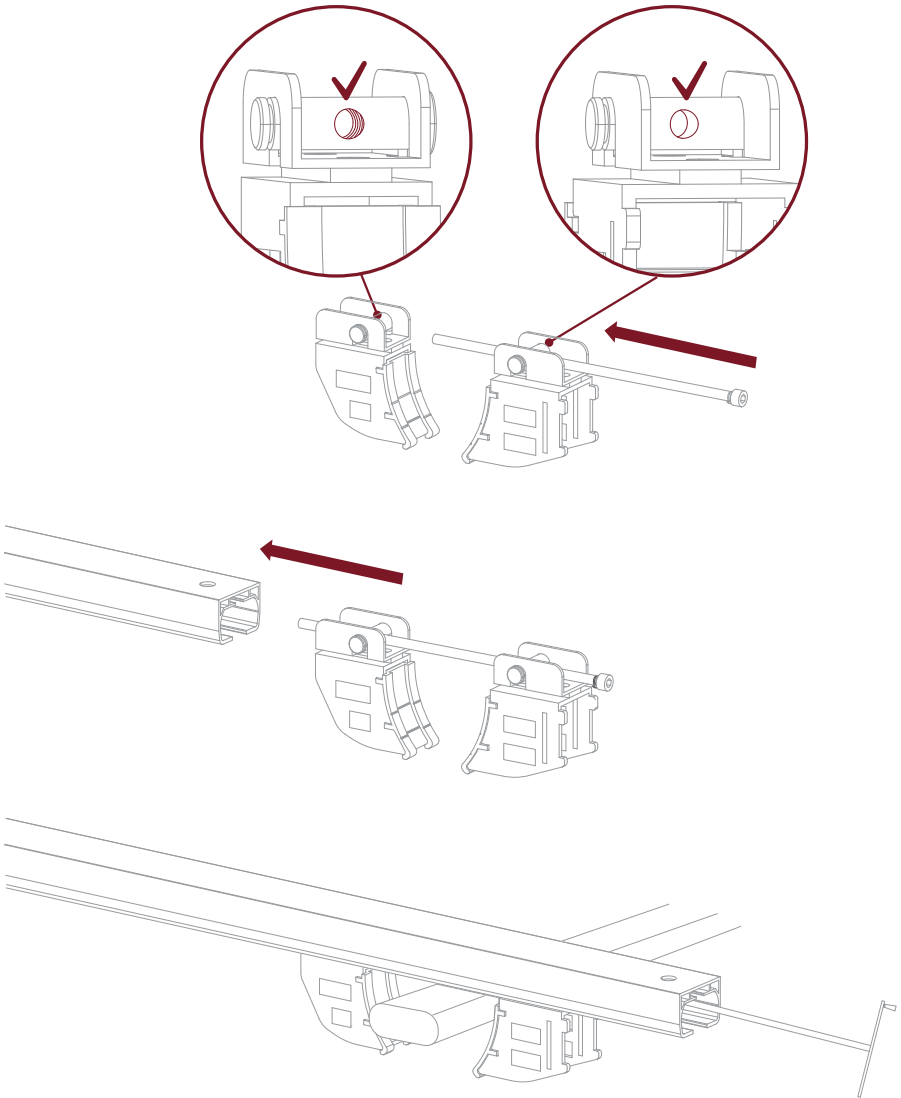


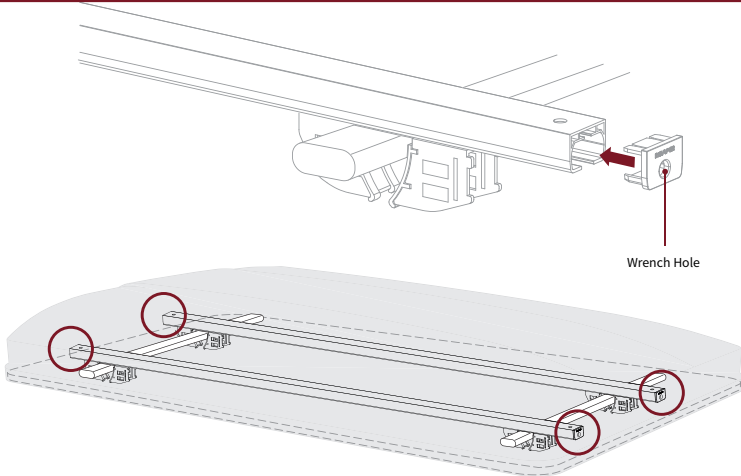
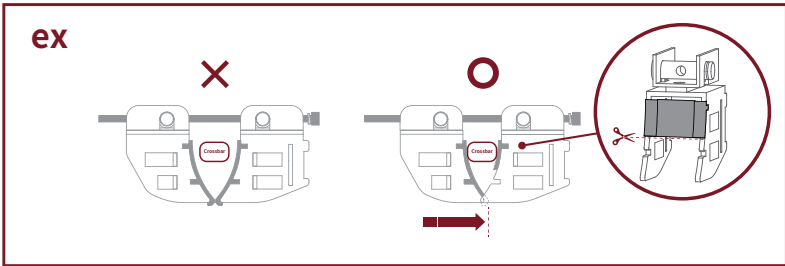
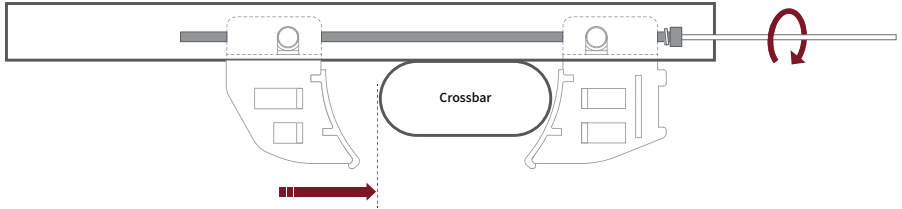
Mounting the Skycamp DLX / DLX Mini

- 1 Lift up vertically at least 4 points of the hardshell.
(If you don't have special equipment such as a lift, work with several adults.)
 - 2 Make sure the Skycamp DLX / DLX Mini is centered.
- ⚠ Caution : Be careful not to press the hardshell when using the lift.



Installing the Mounting Brackets





Use



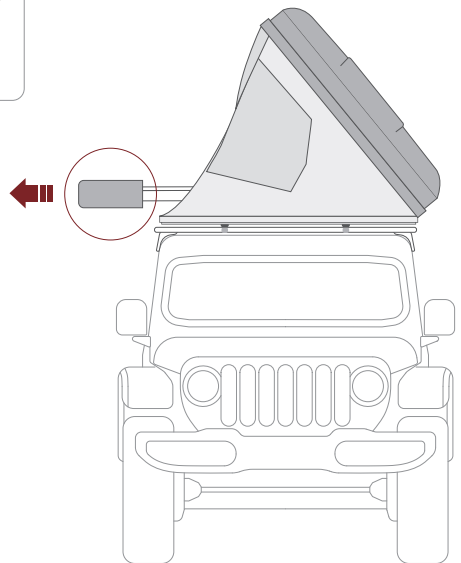
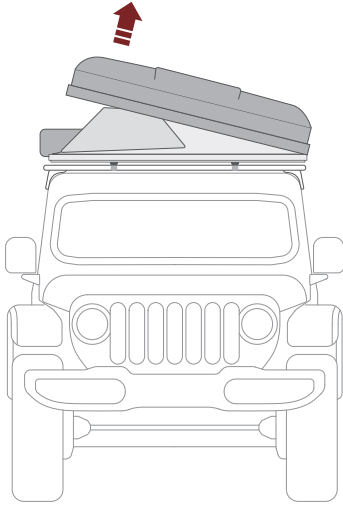
- Allow the tent to ventilate sufficiently before first use.
- Do not install the ladder on uneven ground, or on rocks, sand, or mud.
- The ladder acts as the support for the Skycamp's extension panel, if weight is not on the ladder it can cause hinge to break.
- Always make sure the ladder is firmly planted in the ground, and each step is securely locked before going up the ladder.
- Accidental folding of the ladder can result in serious injury or product damage.
- If the terrain does not allow the ladder to have a stable, even base, move your vehicle to another spot.
- Always maintain the 3 points of contact while using the ladder.
- Take one step at a time.
- Be careful not to fall when using the ladder.
- Be careful not to get hurt by the elasticity of the tension pole.
- Due to the properties of cork floor made with natural materials, the surface may not be even.
- Cork wood is compressed and attached on the floor, so water or food may result in stains.
- When using cork floors, wipe spilled water or food off immediately to prevent it from seeping into the floor, and dry sufficiently until there is no moisture left in a place that is well-ventilated.
- Due to the nature of cork material floors with rough surfaces, peeling can occur on the surface, and exercise precaution as wiping with sponges with rough surfaces can damage the floor surface.
- Please refer to video for detailed installation instructions.

www.ikamper.com



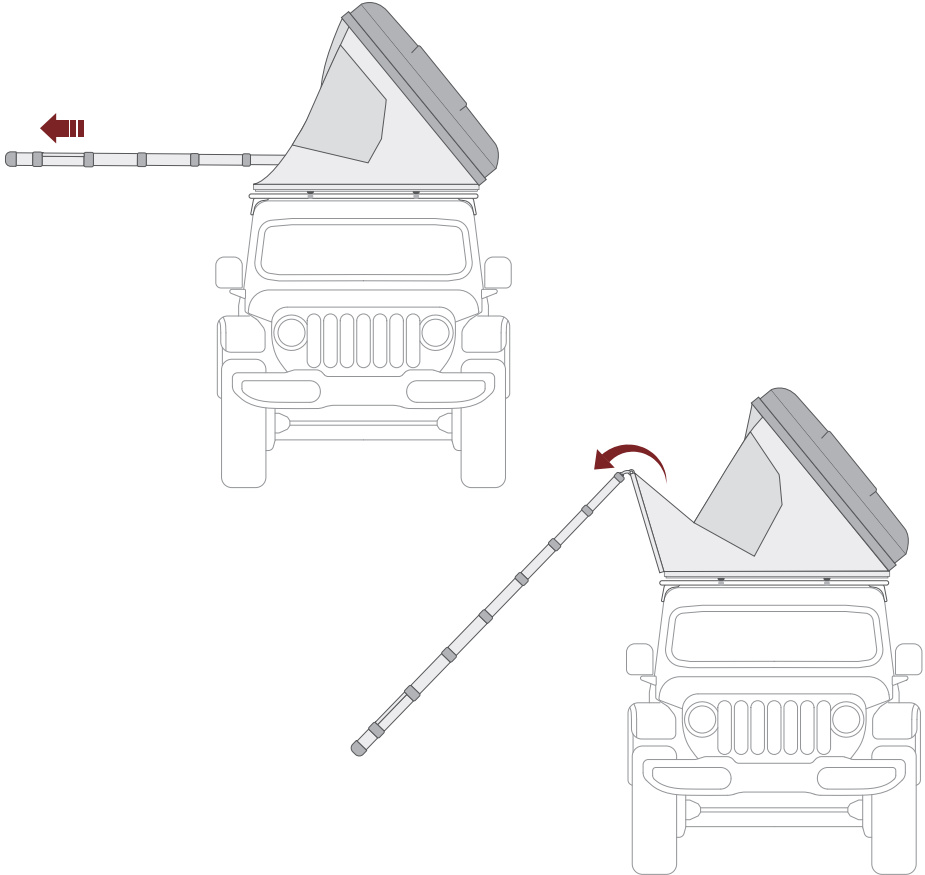
Opening the Hardshell

- 1 Release the hardshell lock using the key.
- 2 Push the hardshell up. The gas struts will allow it to open on its own.
- 3 Remove the ladder cover.



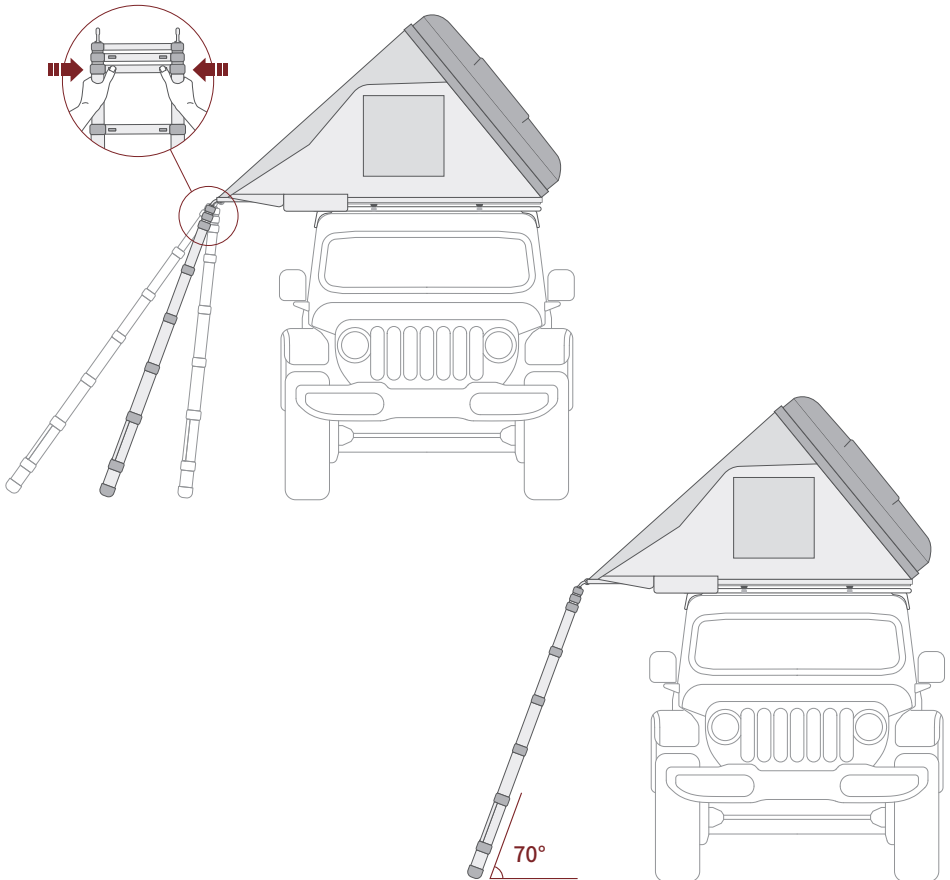
Panel Extension

- 1 Pull the ladder towards you, allowing it to extend completely.
- 2 When the ladder is fully extended, each of the steps will automatically lock.
- 3 Push down on the ladder, as it acts as a lever and deploy extension panel.



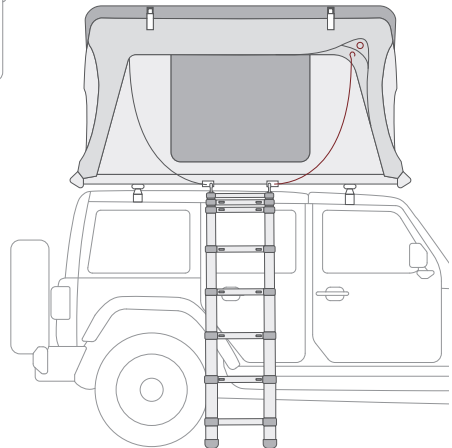
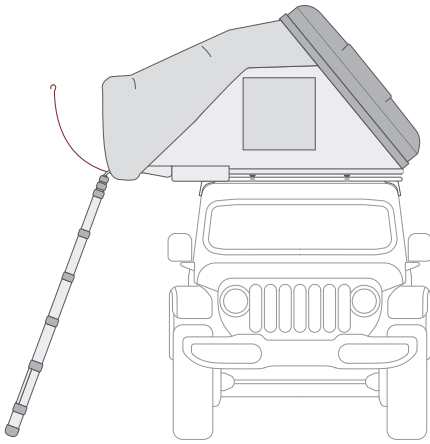
Installing the Ladder

- 1 The main panel (floor) and extension panel should be horizontal, with a small space between the two panels (the extension panel should be lifted up slightly higher than the main panel) so that the ladder takes pressure off of extension panel.
- 2 The ideal angle for the ladder axis and the ground is about 70 degrees.
- 3 Ladder height can be adjusted by pressing the slide button on the left and right sides of the steps with both hands.
- 4 When adjusting the height of the ladder, make sure that it is securely fastened with a 'click'.



Erecting the Canopy

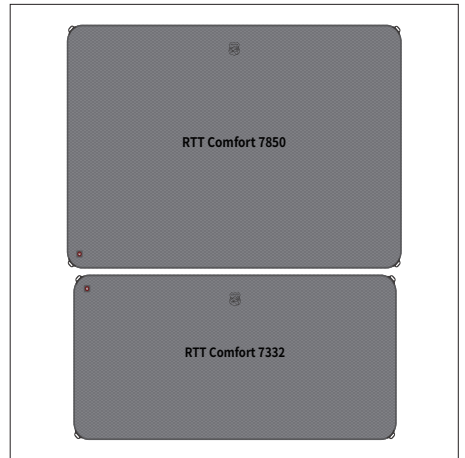
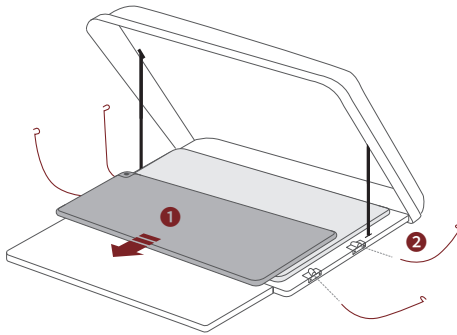
- 1 Skycamp DLX : 2 of the 6 tension poles are longer and are used for the entrance.
Skycamp DLX Mini : 2 of the 6 tension poles are shorter and are used for the entrance.
- 2 Insert the tension pole diagonally into the bracket connecting the ladder to the extension panel. The tension pole should be inserted gently until you hear a “click” sound.
- 3 Insert the tension pole’s hook into the metal grommet or webbing porket at the corner of the rainfly.
- 4 Connect the loops on the rainfly to the hook under the extension panel.



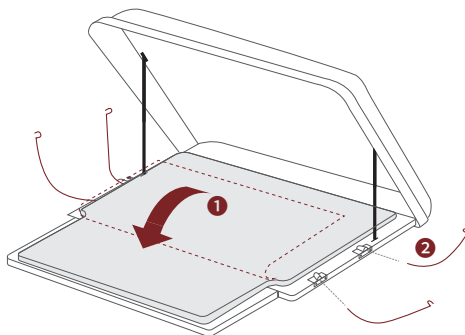
Mattress Setup & Options

- ❶ Skycamp DLX : Reposition RTT Comfort 7332 and then inflate.
Skycamp DLX Mini : Unfold the folded RTT Comfort 5082 and inflate.
- ❷ Skycamp DLX : 4 of the 6 tension poles are shorter and are used for the window canopies.
Skycamp DLX Mini : 4 of the 6 tension poles are longer and are used for the window canopies.

Skycamp **DLX**



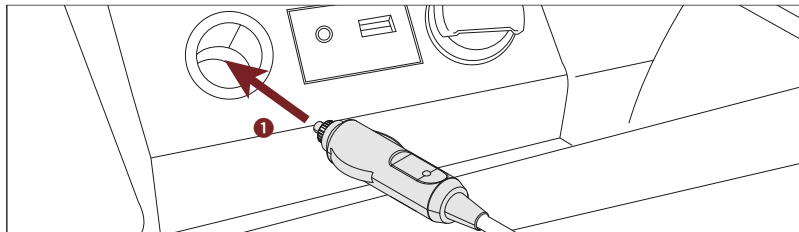
Skycamp **DLX** Mini



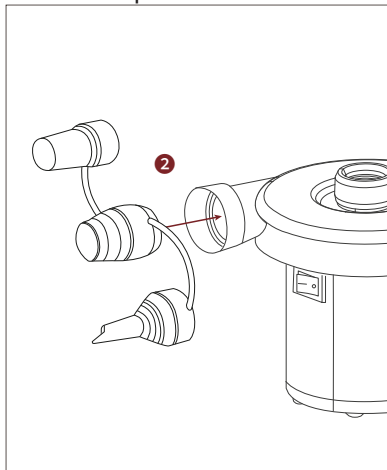
How to inflate using Air Down

- 1 Always use DC 12V voltage.
 - Do not use this product with power banks having allowed DC socket voltage of under 100W.
 - This may damage the power bank.
 - Use this product for large-capacity/low-voltage products such as rubber boats and air mats.
 - Furthermore, please exercise caution as using this product for over 20 minutes continuously may cause overheating. (There is a risk of fire or damage to the product in the event of overheating.)
- 2 Connect the power plug to the socket.
 - Select an adapter appropriate for the product to inflate with air and connect it to the air inlet of the mattress.
 - Connect Air Down to the product that you intend to inflate, and fasten to prevent moving. Then, turn the switch on or off to start or stop inflation. ("I": Switch ON, "O": Switch OFF)
- 3 Join the RTT Comfort's air inlet to the 'Inflate' direction to inflate.

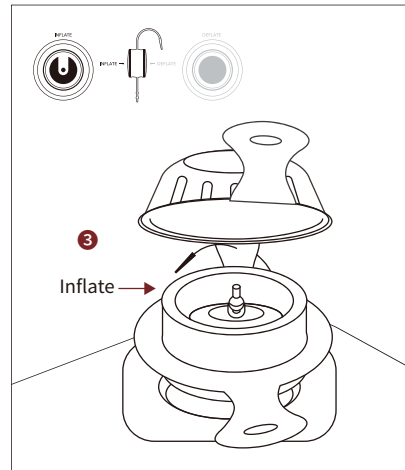
DC12V socket connection



Air Down adapter



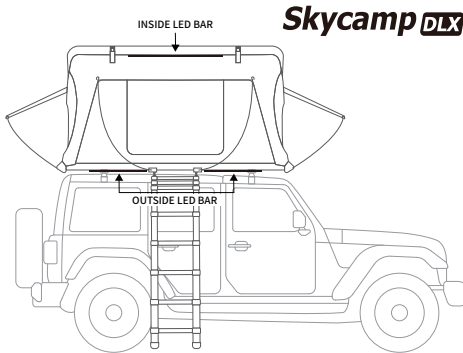
RTT Comfort air inlet



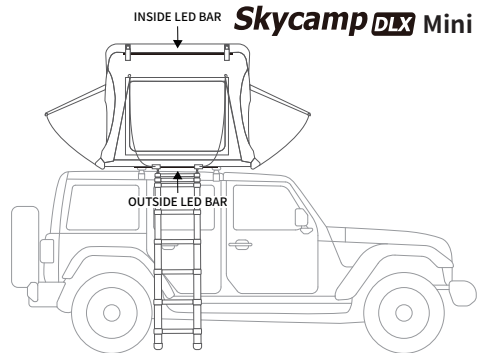
Turning on LIGHT BAR KIT

- ❶ Connect the USB port to portable battery (Use 5V DC)
- ❷ Press the power button on the LIGHT BAR KIT controller to turn power on.

LIGHT BAR KIT location

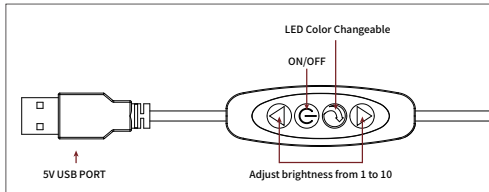


INSIDE LED-540lm (6W) / OUSIDE LED-360lm X 2EA(4W X 2EA)



INSIDE LED - 540lm (6W) / OUSIDE LED - 450lm (5W)

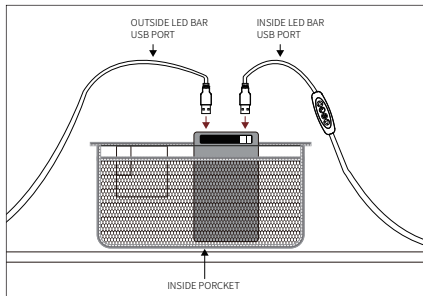
How to use LIGHT BAR KIT Controller



<SPEC>

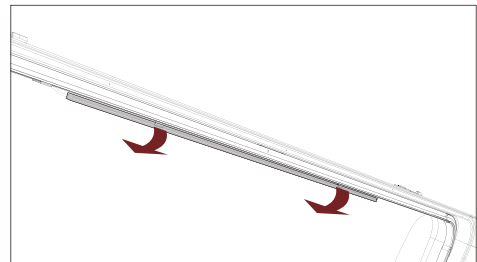
LED color changeable - WHITE, AMBER, WHITE & AMBER
 Adjust brightness from 1 to 10 using the dimming controller
 Input voltage: DC5V
 Power consumption: 4.5W
 Waterproofing grade: IP65
 Usage temperature: -40 to +50°C

Connecting USB port



- ※ Requires 2 USB ports. (when using inside / outside simultaneously)
- ※ Portable battery not included.

How to attach/detach LIGHT BAR KIT (for servicing or using separately)



The product can be detached/attached by twisting the light bar in the direction of the arrow.

There is a magnet built into the rear of the LIGHT BAR, so it can be attached on any metal material.

Takedown

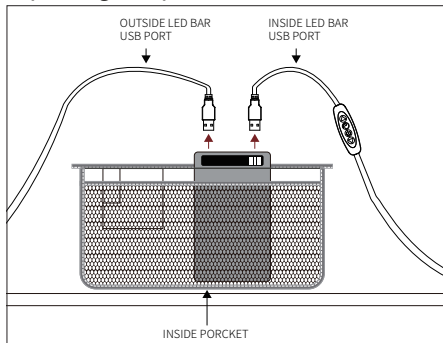


- Make sure there are no items left in the tent.
- Fold the tent after allowing it to dry it completely.
- Be careful not to pinch your fingers when folding the ladder.
- Be sure to use ladder cover to prevent discoloration of skyview vinyl and keep the tent clean.

Turning off LIGHT BAR KIT

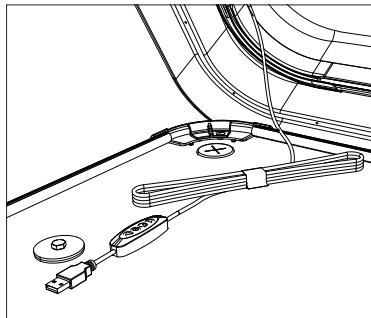
- 1 Separate the inserted USB port from the portable battery.

Separating USB port

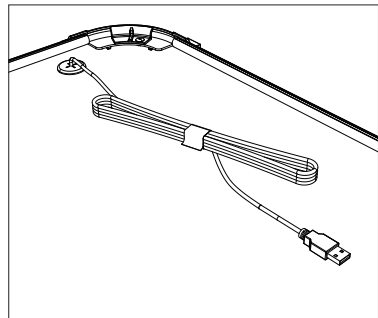


- ※ When USB PORT is separated, power will turn OFF even if the power button is not pressed.
- ※ Portable battery not included.

INSIDE LED BAR CABLE



OUTSIDE LED BAR CABLE

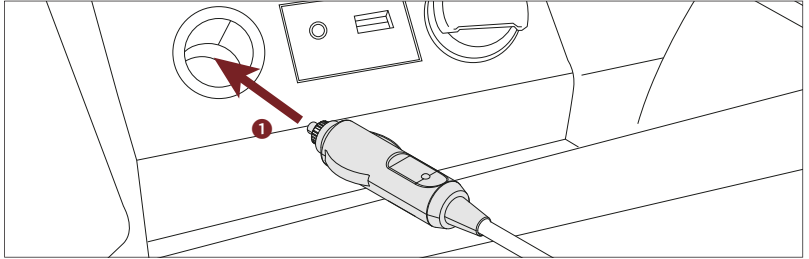


- ※ When not in use, please keep the light cable secured with the velcro tie provided. This precaution prevents potential damage to any part of the product upon opening and closing the tent.

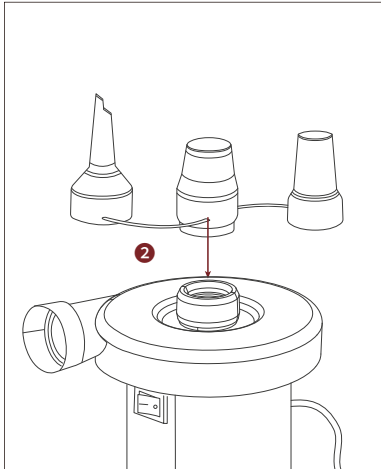
Deflating using Air Down

- 1 Connect power plug to the DC 12V socket.
- 2 Open the valve of the product that you wish to deflate.
Connect Air Down to the product that you intend to deflate, and fasten to prevent shaking. Then, turn the switch on or off to start or stop deflation.
("-": Switch ON, "O": Switch OFF)
- 3 Join the RTT Comfort's air outlet to the 'Deflate' direction to deflate.

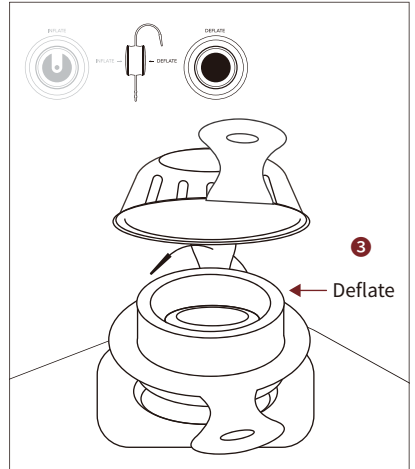
DC12V socket connection



Air Down adapter



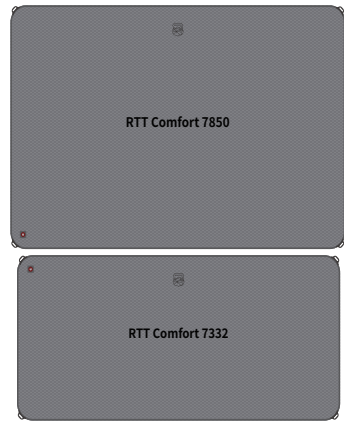
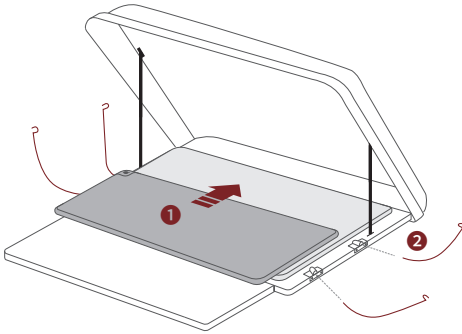
RTT Comfort Air Outlet



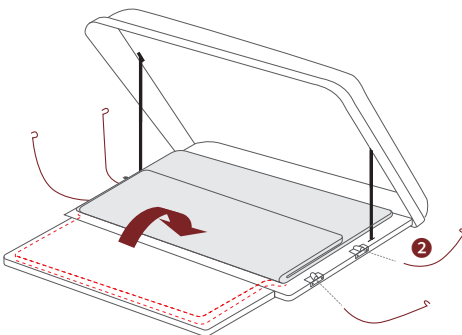
Putting Back the Mattress & Tension Poles

- 1 Skycamp DLX : Place RTT Comfort 7332 on top of RTT Comfort 7850.
Skycamp DLX Mini : Fold the unfolded RTT Comfort 5082 to tidy up.
※ Exercise precaution against damage by folding or moving away so that it does not get caught on the extension plate.
- 2 Remove installed tension poles.
- 3 Close the zipper of the open window, but leave it slightly open to let some air out when the tent is folded.

Skycamp **DLX**

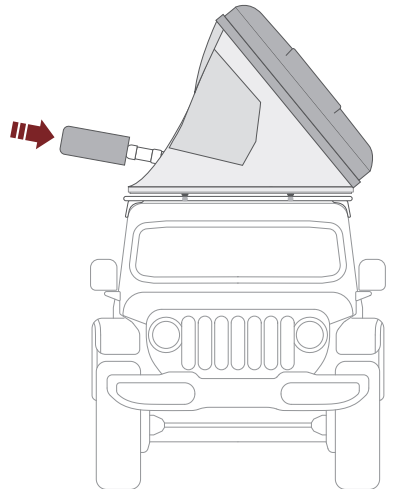
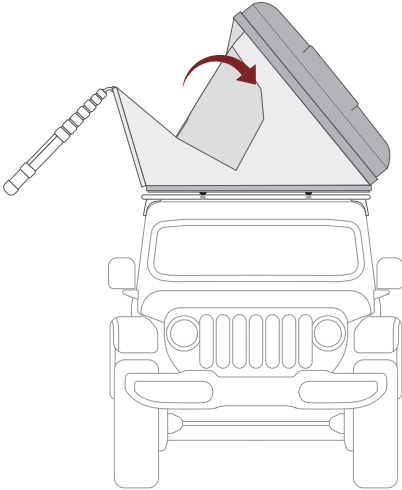


Skycamp **DLX** Mini



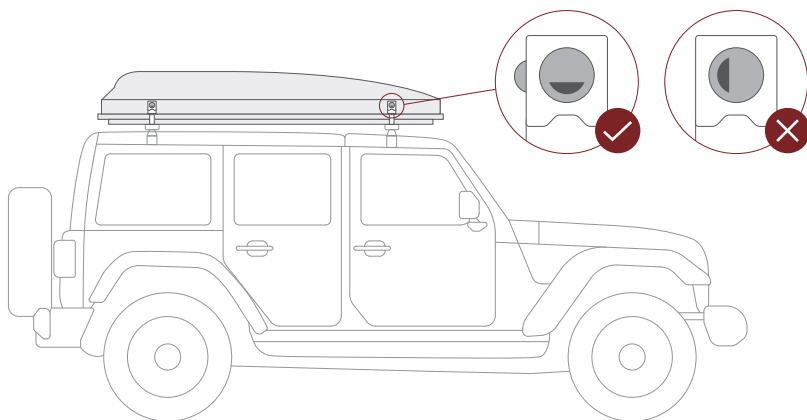
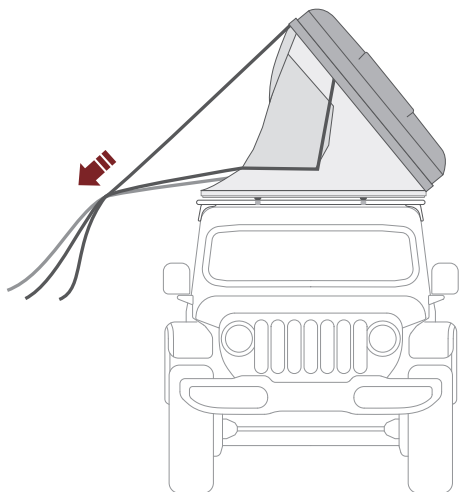
Folding the Ladder & Panel

- 1 Fold the ladder from the top to bottom.
- 2 Lift the ladder to fold the extension panel.
- 3 Place cover on ladder.



Closing the Hardshell

- 1 Close the hardshell by pulling on the 3 straps.
- 2 Make sure the tent material is tucked into the Skycamp DLX / DLX Mini on the front, back and side before closing.
- 3 Pull down the hard shell and lock the locking device.
- 4 Make sure both latches are securely locked before driving.



Thank you for purchasing this iKamper product. This is made through rigorous quality control and inspection and has a two-year limited warranty.

2 year limited Warranty

For 2 years from the date of purchase, iKamper will repair or replace (at our option) defective parts at no cost to the customer if they need to be repaired due to performance or functional defects during normal use.

Exceptions

- Normal wear and tear, or cosmetic blemishes occurring as a result of use.
- Aesthetic changes that do not affect the general operation of rooftop tents. (discoloration of fabric, discoloration of vinyl windows, etc.)
- If the product is arbitrarily repaired or modified by the customer.
- Damage caused by careless use and storage.
- Discoloration of hardshell due to UV exposure or poor maintenance.

iKamper Official Dealers

iKamper products are available directly on our website and from our growing list of partners. Please check the location closest to you to see iKamper products in person, receive professional advice as well as installation. Make sure to call in advance as each location does not have every iKamper model on display.

www.ikamper.com



취급 시 주의사항	02
제품구성 및 사양	04, 06
· 제품구성	04, 06
· 제품사양	05, 07
장착하기	09
· 주요명칭	09
· 가로바 조절	10
· Skycamp DLX / DLX Mini 장착	11
· 브라켓 고정	12
사용하기	15
· 하드셀 열기	15
· 패널 확장	16
· 사다리 설치	17
· 캐노피 세우기	18
· 매트리스 정리 및 설치 옵션	19
· 에어다운 공기 주입 방법	20
· LIGHT BAR KIT 켜기	21
철수하기	22
· LIGHT BAR KIT 끄기	22
· 에어다운 공기 배출 방법	23
· 매트리스 정리 및 텐션폴 제거	24
· 사다리, 확장패널 접기	25
· 하드셀 닫기	26
품질보증	27

* 본 제품은 성능향상을 위하여 사전 예고 없이 변경될 수 있으며
그럴 경우 사용설명서의 내용 및 이미지와 다소 차이가 있을 수 있습니다.

취급 시 주의사항



(주)아이캠퍼의 제품은 야외활동을 보다 편리하게 할 수 있도록 제조되었습니다. 안전한 제품을 생산하기 위해서 엄격한 품질관리와 검사를 진행하고 있습니다. 그러나 야외활동에는 항상 사고위험이 따르기 때문에 항상 안전에 주의해야 합니다. 잘못된 제품 사용으로 인해 재산상의 손해, 신체적 상해를 넘어 중상 또는 사망 할 수도 있다는 점을 인지해야 합니다. 사용자의 안전은 개인의 능력과 경험에 근거한 상황판단에 달려있습니다. 장비는 사용자의 안전을 보장해 주지 못하기 때문에 사전에 제품의 사용법을 숙지하고 충분한 연습을 거친 후 능력범위와 장비의 내구 한도 내에서 사용해야 합니다. 설치 또는 사용에 관해 궁금한 사항은 support@ikamper.com으로 연락주세요.

장착

- 구입 후 구성품이 모두 있는지 반드시 확인하세요.
- 제품 장착은 가급적 전문 기사에게 의뢰하세요.
- 제품이 무거우므로 제품 이동 시 항상 주의해 주세요.
- 반드시 안전 잠금 및 보호가 가능한 신발을 착용하세요.
- 신체 건강상의 문제가 있는 경우, 절대 차량에 제품을 직접 설치하지 마세요.
- 일부 차량의 루프랙에는 루프탑텐트 설치가 적합하지 않을 수 있습니다.
- 자가장착시 장착 방법을 완전히 숙지한 후 장착하시기 바랍니다. (10-13쪽 또는 웹사이트 영상 참조)
- 설치에 관해 추가 문의 사항이 있는 경우 판매 담당자에게 문의 바랍니다.

운행

- 차량 운행 전 장착 상태를 점검해야 합니다. 만일 교통사고가 났을 경우 장착브라켓의 파손이나 이탈에 의해 2차적 사고가 날 수도 있습니다. (“루프탑텐트 레저용품 추가특약보험”등 보험가입을 권장합니다.)
- 하드셀이 완전히 닫혀 있고, 잠금장치가 올바르게 잠겨있는지 반드시 확인하고 운행하세요.
- 텐트 장착 후 제한속도는 최대 시속 110km/h (70mph)이며 반드시 제한속도를 준수해야 합니다.
- 주행 속도는 도로 유형·상태·날씨 (바람·비), 제한속도와 같은 주행 조건에 따라 달라질 수 있습니다.
- 기상악화 조건 (태풍·폭우·폭설 등)에서는 사용을 가급적 자제해 주세요.
- 과속 방지턱처럼 고르지 못한 길을 주행할 때는 반드시 차량의 속도를 낮추시기 바랍니다.
- 루프랙이 약한 차량의 경우 운행 중 루프랙이 부러질 수 있어 각별한 주의가 필요합니다.
- 텐트 장착 후 지상고가 낮은 실내에 진입할 경우 뚜껑이 파손될 수 있으므로 차량 운행에 각별히 주의해야 합니다.
- 텐트를 설치·사용하고있는 상태에서는 차량 운행을 금합니다.

설치

- 설치 중 제품에 무리한 힘을 가하면 파손될 수 있으니 주의하세요.
- 손상된 제품을 그대로 사용하면 안전사고가 발생할 수 있습니다. 판매처 혹은 A/S센터를 통해 적절한 조치를 받은 후에 사용하세요.
- 텐트 사용 시에는 사다리가 기둥이 됩니다. 따라서 사다리의 각 발판의 잠금상태가 부실하거나 사다리가 밀리는 상태에서 사람이 올라갈 경우 제품에 손상을 초래하거나 신체상의 부상을 입을 수 있습니다.
- 텐트를 설치하는 지면은 평탄하고 단단해야 하며 아래와 같은 조건의 장소는 피해야 합니다. (사다리가 밀릴 위험이 있는 미끄러운 곳, 모래, 자갈밭, 경사진 곳)

사용

- 아이를 텐트 안에 혼자 두지 마세요.
- 사다리 이용 시 낙상에 주의 하세요.
- 비오는날 물기나 추운날 살얼음에 의해 사다리 발판에서 미끄러질 수 있습니다.
- 텐트 내부에서 화기 사용을 절대 금합니다.
- 텐트와 가까운 곳에서 모닥불 또는 화로대 사용을 금합니다. 불씨로 인해 원단에 구멍이 날 확률이 매우 높으며 이는 화재로 이어질 수 있습니다.
- 텐트 원단은 면이 혼용된 원단을 사용하여 비의 양이나 비에 노출된 시간에 따라 일부부에 투습현상이 나타날 수 있습니다. 이는 제품의 결함이 아니며 면 텐트의 특성에 의한 자연스러운 현상입니다. (더 자세한 정보는 심실러와 함께 동봉된 문서를 참조하세요.)
- 안전을 위하여 풍속 10m/sec (20knot) 이상의 강한바람이 불 경우 텐트를 사용하시면 안됩니다.
- 기상악화 조건(태풍·폭우·폭설 등)에서는 사용을 가급적 자제해 주세요.

유지관리

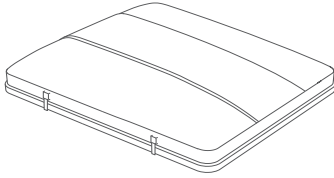
- 반드시 완전히 건조된 상태에서 보관하세요.
- 제품에 사용된 폴리코튼캔버스 특성상 비에 젖은 경우 빠른 시일 내에 습기를 제거해야 합니다.
- 젖은 상태로 장기간 보관 시 곰팡이 및 약취·변색이 발생할 수 있으며 제품의 수명을 단축시키는 원인이 됩니다.
- 폴리코튼 원단 구조의 특성상 비와 바람이 심한 날에는 봉제선 부분에서 약간의 누수가 드물게 발생할 가능성이 있습니다.
- 사용 후 반드시 오염물질을 제거한 뒤 보관하세요. 이물질로 인해 제품이 손상될 수 있습니다.

하드웨어

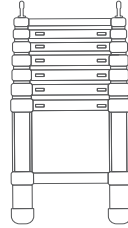
- 하드웨어가 장기간 외부에 노출되면 먼지, 눈,비, 이슬 등에 의해 광물성 물때가 침착되어 표면 광택이 사라지게 됩니다. 2개월에 1회 왁스코팅을 해 주세요. 물때 방지에 도움이 됩니다.
- 하드웨어에 빗물 또는 눈을 방치하지 마세요. 눈은 녹기 전에 제거해 주세요.

제품구성 및 사양 : **Skycamp DLX**

제품구성



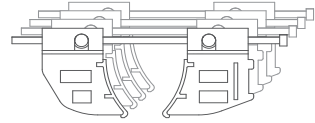
텐트 ×1



사다리 ×1



텐션폴 A타입 ×2



마운팅브라켓 ×4



텐션폴 B타입 ×4

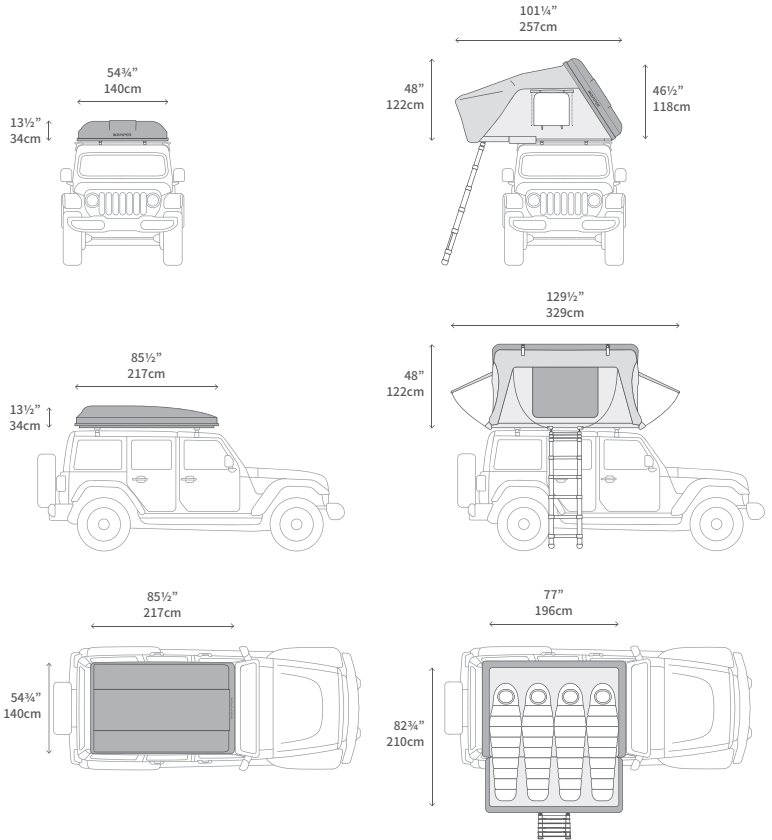


육각렌치 ×1



마감캡 ×4

제품사양

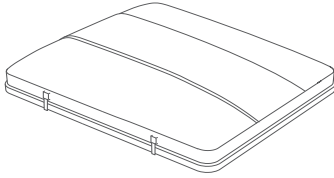


- 중량 Tent - 155lb, 70kg
 Ladder - 13lb, 6kg
 RTT Comfort - 15lb, 7kg
- 허용중량 408kg, 900lb
- 사다리 허용중량 150kg, 330lb
- 제한속도 110km/h, 70mph
- 허용풍속 10m/s, 23mph, 20knots
- 하드셸 이중구조 FRP
- 레인플라이 Black, Poly Rip-Stop 75D, PU(Black) Pigment Coating, W/P 3000mm, DWR PFC-FREE, UV
- 이너텐트 Gray color, T/C 20's (65/35) , W/R, 300g/Sqm
- 바닥 Cork + Aluminum

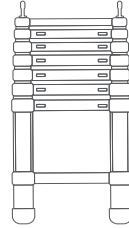
*실제 측정값은 다소 차이가 있을 수 있습니다.

제품구성 및 사양 : **Skycamp DLX** Mini

제품구성



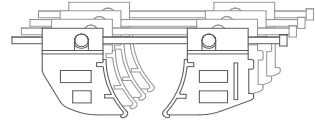
텐트 ×1



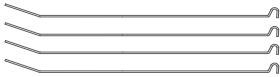
사다리 ×1



텐선폴 B타입 ×2



마운팅브라켓 ×4



텐선폴 C타입 ×4

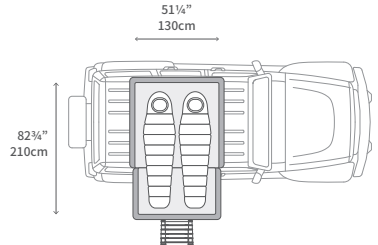
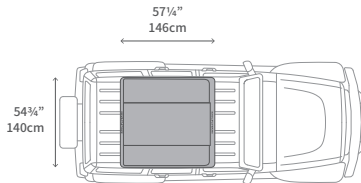
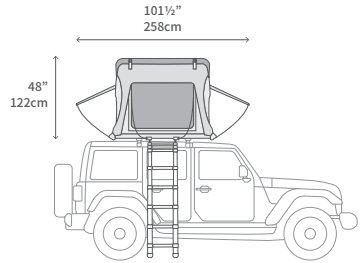
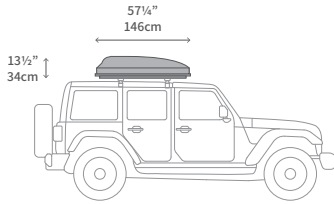
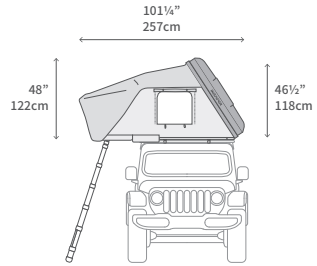
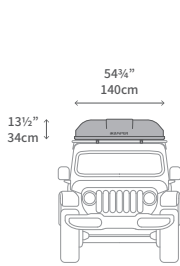


육각렌치 ×1



마감캡 ×4

제품사양



- 중량 Tent - 110lb, 50kg
 Ladder - 13lb, 6kg
 RTT Comfort - 11lb, 5kg
- 허용중량 408kg, 900lb
- 사다리 허용중량 150kg, 330lb
- 제한속도 110km/h, 70mph
- 허용풍속 10m/s, 23mph, 20knots
- 하드셸 이종구조 FRP
- 레인플라이 Black Poly Rip-Stop 150D, PU(Black) Pigment Coating, W/P 3000mm, DWR PFC-FREE, UV
- 이너텐트 Gray color, T/C 20's (65/35) , W/R, 300g/Sqm
- 바닥 Cork + Aluminum

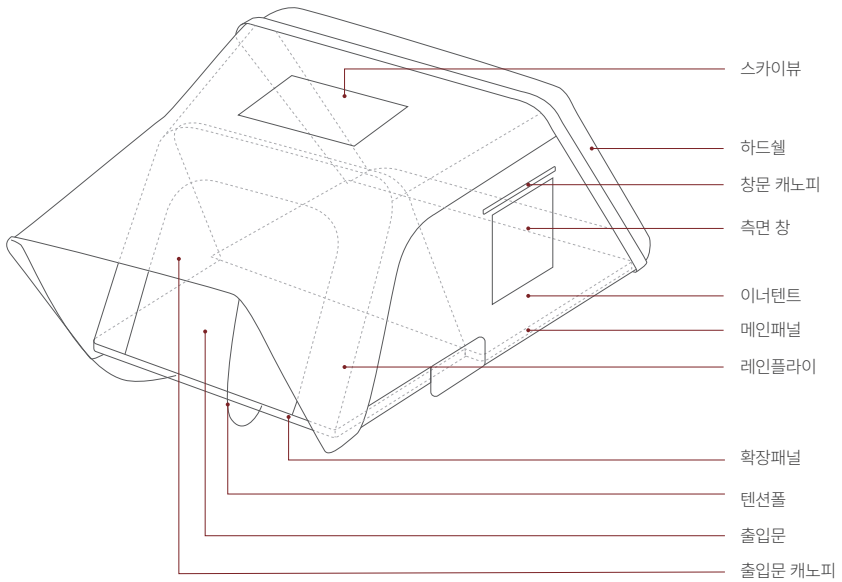
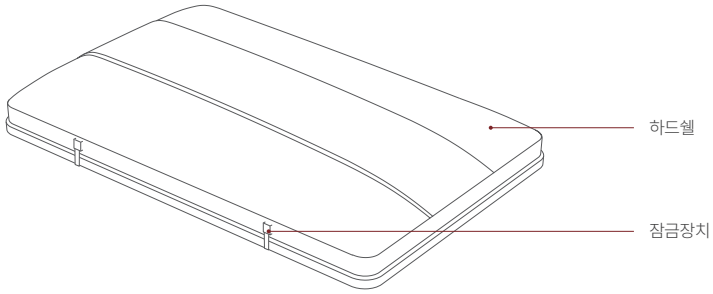
*실제 측정값은 다소 차이가 있을 수 있습니다.

장착하기



- Skycamp DLX /DLX Mini를 장착하기 전 차량에 루프랙 또는 가로바가 반드시 설치되어 있어야 합니다. (별도구매)
- 루프랙 또는 가로바의 허용하중을 확인하세요.
 - Skycamp DLX 무게 :
Tent - 155lb, 70kg / Ladder - 13lb, 6kg / RTT Comfort - 15lb, 7kg
 - Skycamp DLX Mini 무게 :
Tent - 110lb, 50kg / Ladder - 13lb, 6kg / RTT Comfort - 11lb, 5kg
- 사용자의 안전을 위해 정확한 위치에 단단하게 제품이 장착되어야 합니다.
- 가급적 설치 전문가에게 의뢰하세요.
- 제품 설치 후 외부 영향에 의해 체결된 볼트가 느슨해 질 수 있습니다.

주요명칭

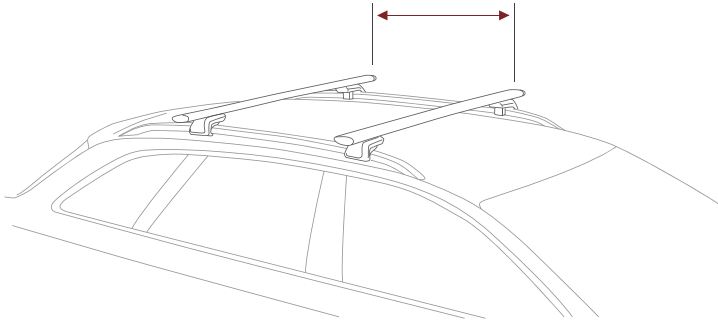


가로바
조절
(별도구매)

- 1 Skycamp DLX / DLX Mini를 장착하기 전 루프랙 또는 가로바 사이의 간격을 조정하세요.
- 2 흔들림 없이 단단히 고정되었는지 루프랙 또는 가로바의 장착 상태를 확인하세요.

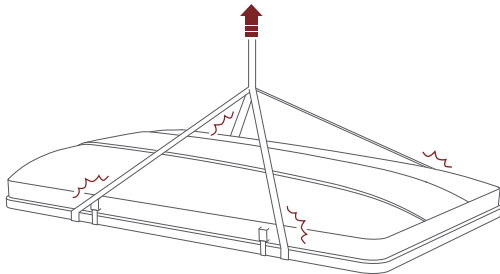
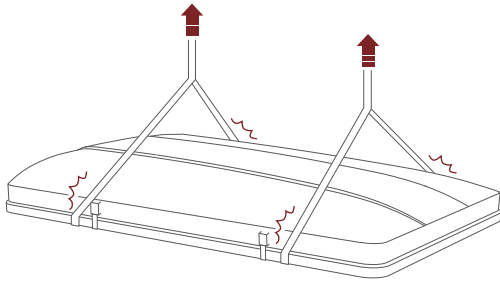
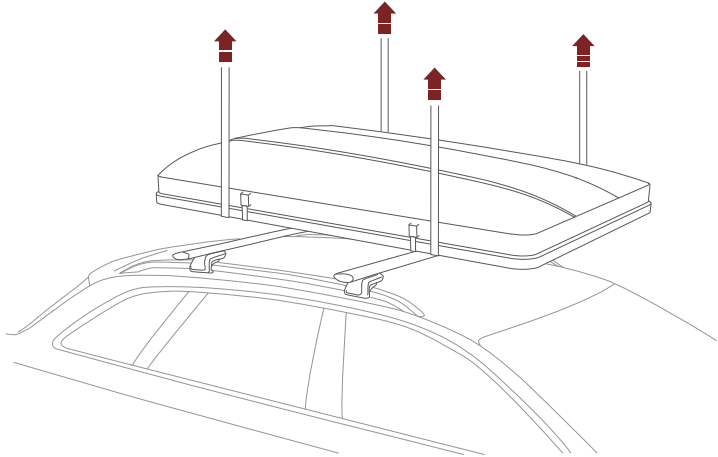
최소간격

- Skycamp DLX : 76cm, 30"
- Skycamp DLX Mini : 55cm, 22"

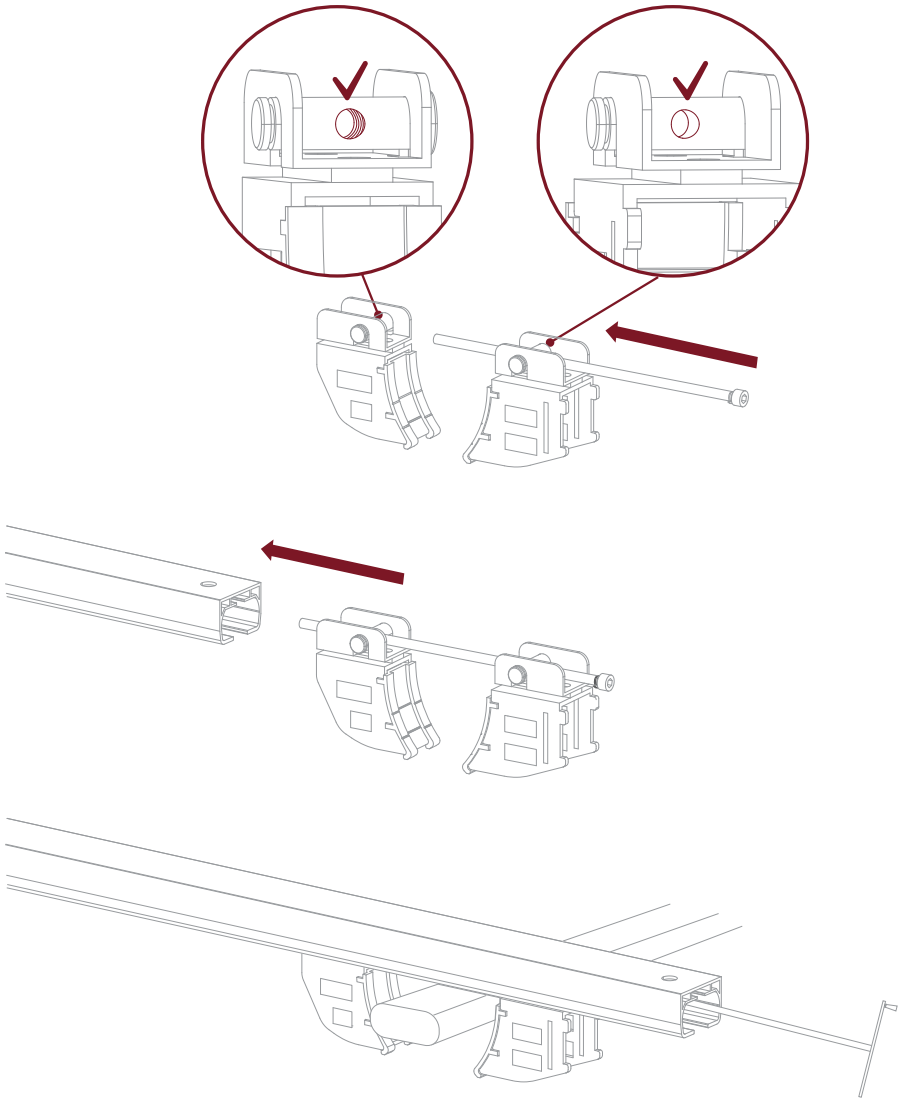


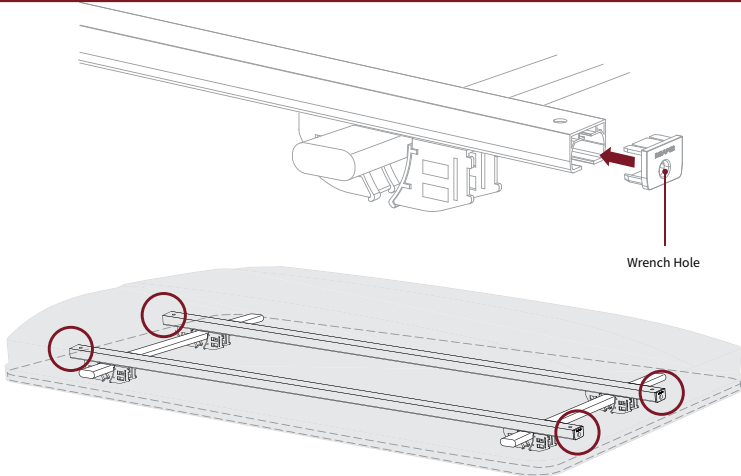
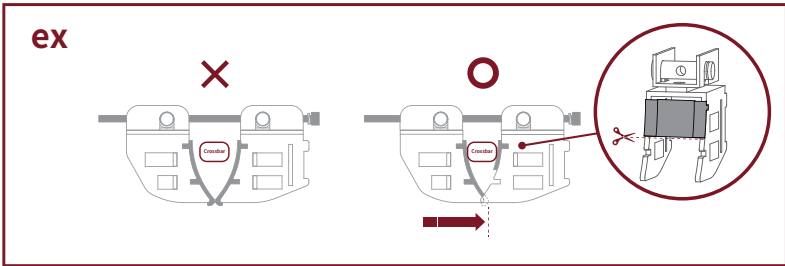
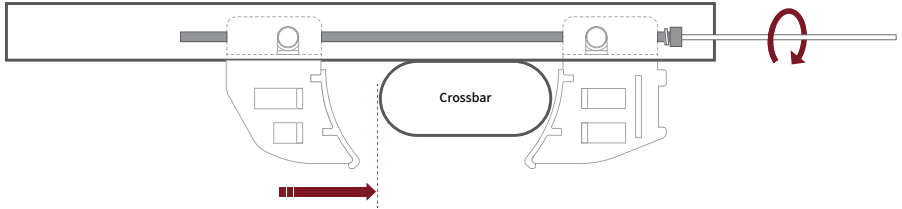
**Skycamp
DLX / DLX Mimi
장착**

- ❶ 최소 4곳을 지지하여 수직방향으로 들어올리세요.
(리프트 등 별도의 장비가 없는 경우 여러명의 성인이 함께 작업하세요.)
- ❷ Skycamp DLX / DLX Mimi가 정중앙에 위치하는지 확인합니다.
- ⚠ 주의 : 리프트 사용시 하드셀이 눌리지 않도록 주의하세요.



브라켓
고정





사용하기



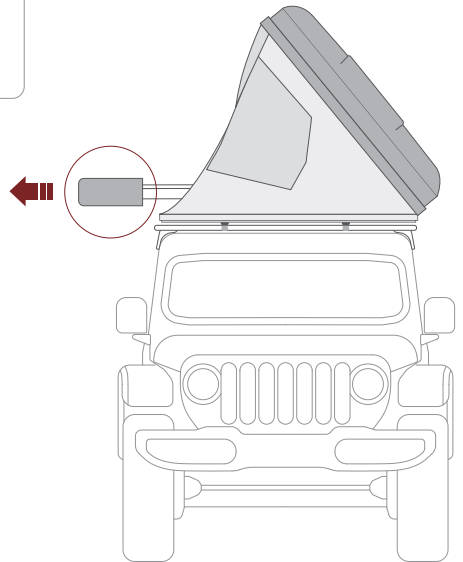
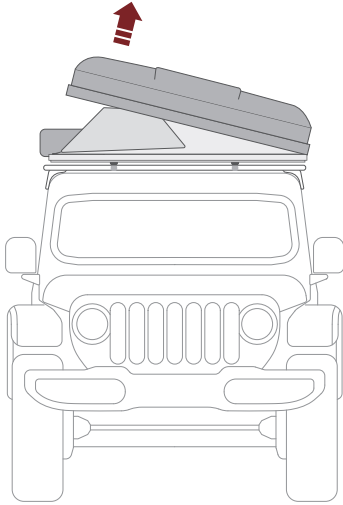
- 텐트를 사용하기전 실내를 충분히 환기하세요.
- 고르지 않은 미끄러운 바닥·바위·모래·진흙이 있는 장소에 사다리를 설치하지 마세요.
- 사다리는 확장패널을 지탱하는 아주 중요한 역할을 합니다.
- 항상 사다리에 오르기 전에는 사다리가 지면에 확실하게 고정되었는지 각 발판이 잡혔는지 확인하세요.
- 발판이 의도치 않게 밀려 들어갈 경우 심각한 부상이나 제품손상으로 이어질 수 있습니다.
- 사다리를 안정적으로 고정하기 힘든 지형일 경우, 안전이 확보되는 장소로 옮기는 것이 좋습니다.
- 사다리 이용 시 항상 양손으로 사다리 양쪽 기둥을 단단히 잡으세요.
- 사다리 이용 시 한 발에 한 칸씩 이동하세요.
- 사다리 이용 시 낙상에 주의하세요.
- 텐션폴의 탄성에 의해 다치지 않도록 주의하세요.
- 천연성분으로 만들어진 코르크 바닥 특성으로 인해 표면이 균일하지 않을 수도 있습니다.
- 코르크 목재를 압축하여 부착한 바닥이므로, 물기나 음식물에 오염될 수 있습니다.
- 코르크 바닥 이용시 물기와 음식물이 묻으면 스며들지 않도록 마른 걸레로 즉시 닦고, 바람이 잘 통하는 곳에서 습기가 없어질 때까지 충분히 건조 시켜 주시기 바랍니다.
- 코르크 소재 특성상 거친 표면에 까집이 발생할 수 있으며 오염물을 닦을 때 거친 표면을 가진 스펀지를 사용하면 표면이 손상될 수 있으니 주의 바랍니다.
- 설치 전 홈페이지에 안내된 설치 영상을 참고하세요.

www.ikamper.com



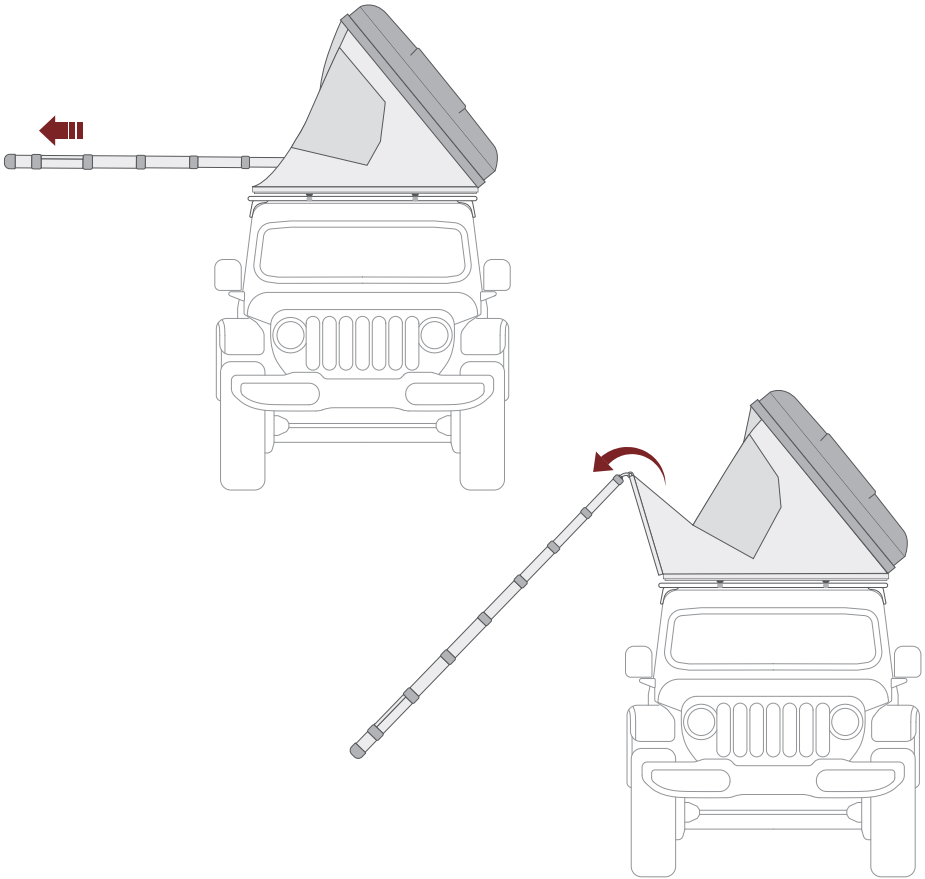
하드셀
열기

- ❶ 열쇠를 사용해 하드셀 잠금 장치를 해제합니다.
- ❷ 하드셀을 일정한 위치까지 밀어 올리면 자동으로 뚜껑이 열립니다.
- ❸ 사다리 커버를 제거합니다.



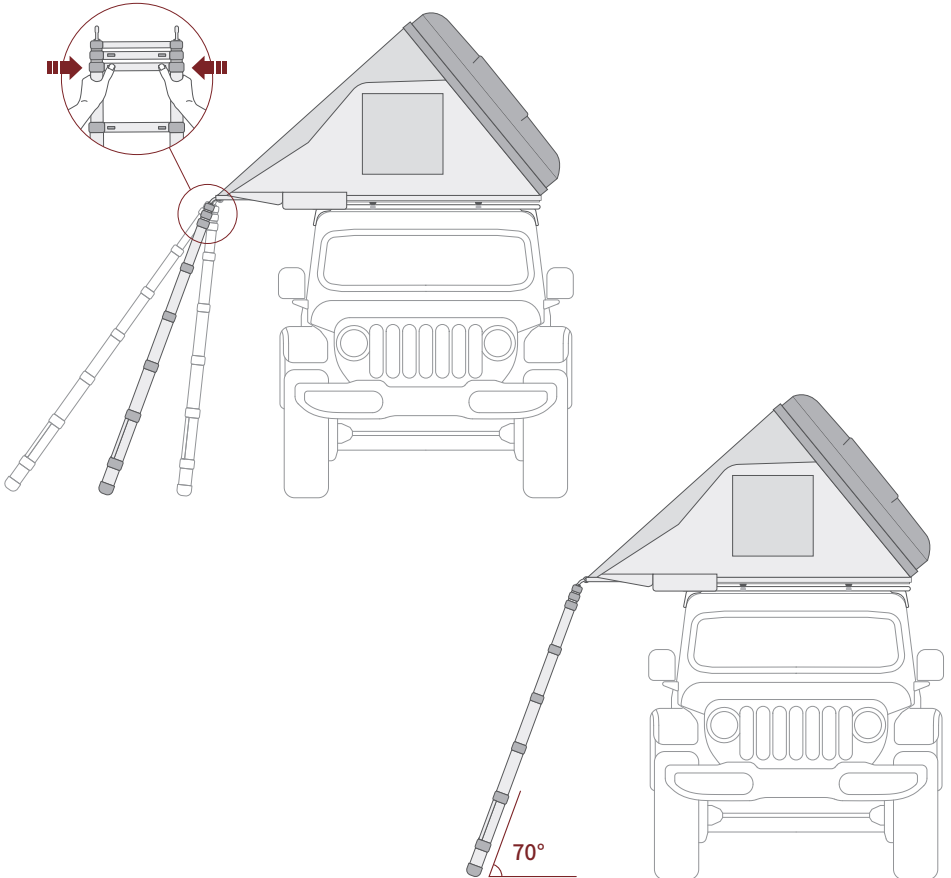
패널 확장

- 1 사다리 가장 하단의 발판을 손에 쥐고 몸쪽으로 끝까지 당겨주세요.
- 2 접혀있던 사다리가 완전히 밖으로 나오면 각 발판이 자동으로 잠긴 상태가 됩니다.
- 3 확장패널을 펼치기 위해서 사다리를 지면 방향으로 누르면서 당겨주세요.



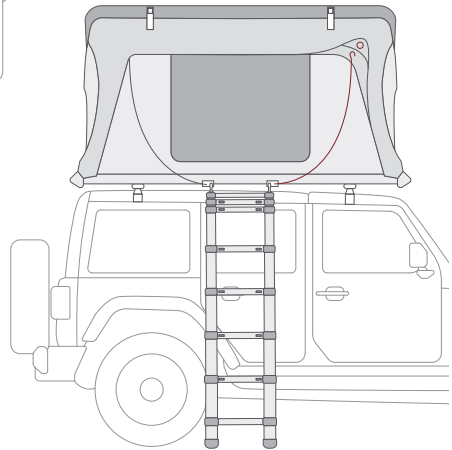
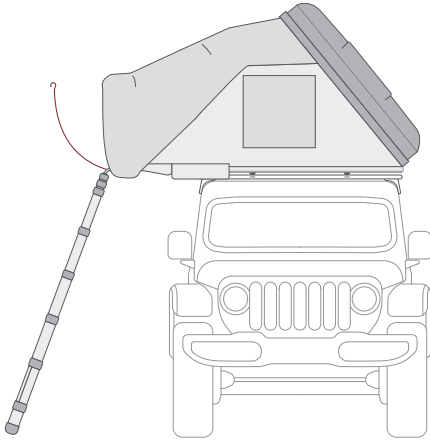
**사다리
설치**

- ① 메인패널과 확장패널이 수평을 이룰 수 있도록 사다리의 각도와 길이를 조절하세요.
(확장패널이 메인패널보다 약 5mm 높게 조절하는 것이 좋습니다.)
- ② 사다리 축과 지면의 이상적인 각도는 약 70도입니다.
- ③ 사다리 발판 좌우의 슬라이드 버튼을 양손으로 동시에 눌러 높이를 조절할 수 있습니다.
- ④ 사다리 높이 조절 시 ‘딸깍’소리가 나면서 단단히 고정되었는지 반드시 확인하세요.



캐노피
세우기

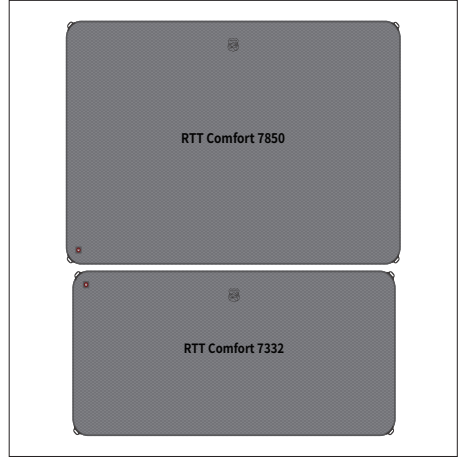
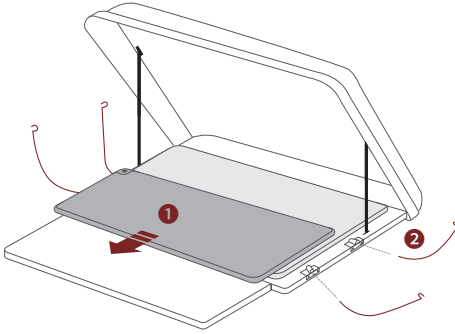
- 1 Skycamp DLX : 6개의 텐션폴 중 길이가 긴 2개의 폴은 출입문 캐노피에 사용합니다.
Skycamp DLX Mini : 6개의 텐션폴 중 길이가 짧은 2개의 폴은 출입문 캐노피에 사용합니다.
- 2 사다리와 확장패널을 연결하는 브라켓에 대각선 방향으로 텐션폴을 삽입합니다.
이때 텐션폴이 구멍 끝에 닿을 수 있도록 밀어 넣어주세요.
- 3 텐션폴의 고리를 레인플라이 끝에 있는 그로멧이나 웨빙 포켓에 삽입합니다.
- 4 레인플라이 하단에 부착된 고리를 확장패널 하단에 걸어 고정합니다.



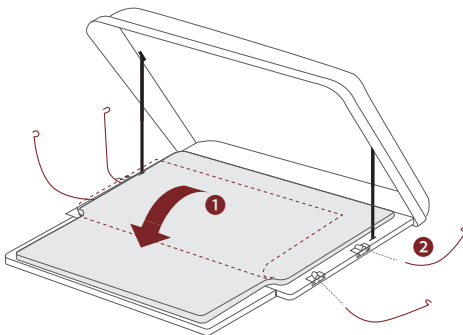
매트리스
정리 및
설치 옵션

- ❶ Skycamp DLX : RTT Comfort 7332를 재 위치 시킨 후 공기를 주입합니다.
Skycamp DLX Mini : 접혀있던 RTT Comfort 5082를 펴고 공기를 주입합니다.
- ❷ Skycamp DLX : 6개의 텐션폴 중 길이가 짧은 4개의 폴은 창문 캐노피에 사용합니다.
Skycamp DLX Mini : 6개의 텐션폴 중 길이가 긴 4개의 폴을 창문 캐노피에 사용합니다.

Skycamp DLX



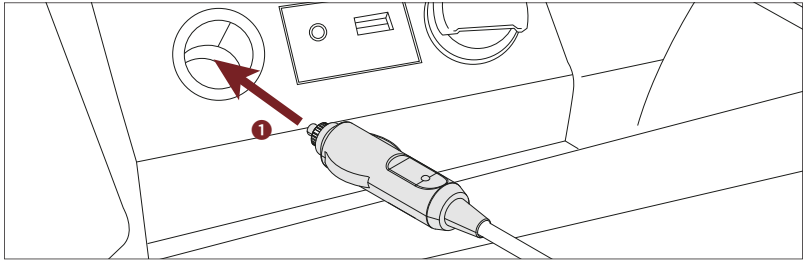
Skycamp DLX Mini



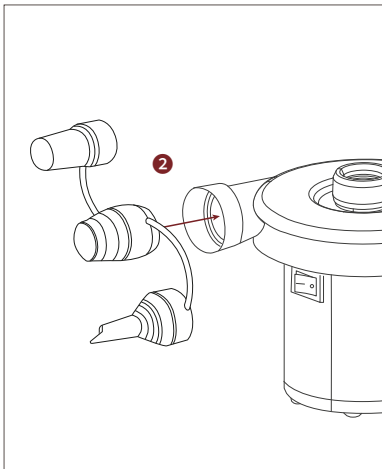
에어다운을
이용한
공기 주입 방법

- ① 반드시 DC 12V 전압을 사용하여 주시기 바랍니다.
 - DC소켓의 허용전력이 100W 미만인 파워뱅크에는 본 제품을 사용하지 마십시오.
 - 파워뱅크가 파손될 수 있습니다.
 - 본 제품은 고무보트 에어 매트 등 대용량/저압력 제품에 사용하여 주시기 바랍니다.
 - 또한 20분 이상 지속해서 사용 시 과열될 수 있으니 주의하여 주시기 바랍니다.
(과열 시 화상 및 제품의 파손 위험이 있습니다.)
- ② 전원 플러그를 소켓에 연결하십시오.
 - 공기를 주입하고자 하는 제품에 적합한 어댑터를 선택해 공기 주입구에 연결하십시오.
 - 공기를 주입하고자 하는 제품에 펌프를 연결하고 흔들리지 않게 고정한 후 공기 주입을 위하여 스위치를 On 하거나 멈추기 위하여 스위치를 Off 하십시오.
("-" : 스위치 ON, "O" : 스위치 OFF)
- ③ RTT Comfort 주입구를 Inflate 방향으로 결합하여 공기를 주입합니다.

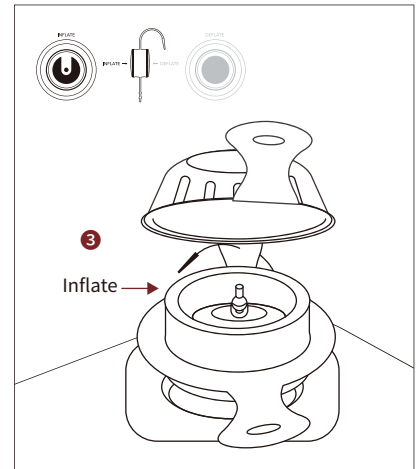
DC12V 소켓 연결



에어다운 어댑터

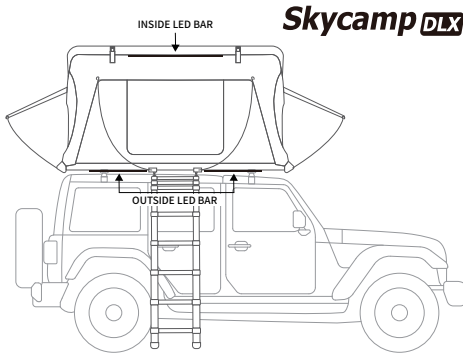


RTT Comfort 공기 주입구

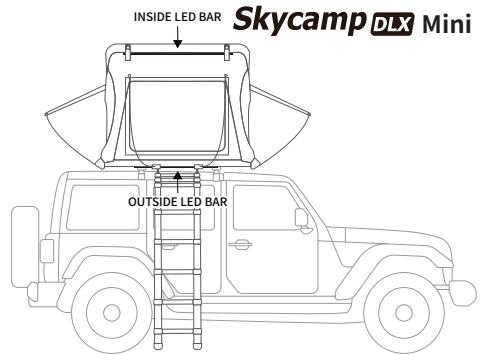


- LIGHT BAR KIT** ❶ 보조 배터리나 USB포트를 삽입합니다. (5V DC 사용)
 켜기
- ❷ LIGHT BAR KIT 컨트롤러의 전원 버튼을 눌러 전원을 켭니다.

LIGHT BAR KIT 위치

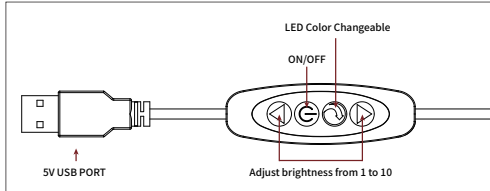


INSIDE LED-540lm (6W) / OUSIDE LED-360lm X 2EA(4W X 2EA)



INSIDE LED - 540lm (6W) / OUSIDE LED - 450lm (5W)

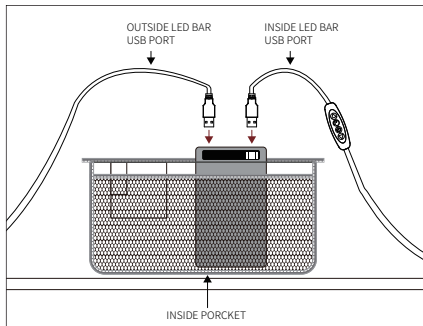
LIGHT BAR KIT 컨트롤러 사용방법



<SPEC>

- LED 색상 변경가능 - WHITE, AMBER, WHITE & AMBER
- 디밍컨트롤 1 - 10단계 밝기 조절 가능
- 입력전압 : DC5V
- 소비전력 : 4.5W
- 방수등급 : IP65
- 사용온도 : -40 to +50°C

USB포트 연결



- ※ USB PORT 2개필요. (INSIDE / OUTSIDE 동시사용시)
- ※ 보조배터리는 제공되지 않습니다.

LIGHT BAR KIT 탈착 방법 (A/S 발생 및 분리 사용시)



- LIGHT BAR를 화살표 방향으로 비트는 방법으로 탈거 / 장착이 가능합니다.
- LIGHT BAR 후면에 자석이 내장되어 있어 철 재질 어디든 부착이 가능합니다.

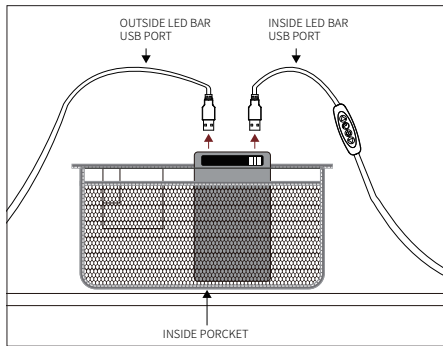
철수하기



- 텐트 안에 남아있는 물건이 없는지 확인하세요.
- 텐트가 완전히 건조된 후에 철수하세요.
- 사다리를 접을때 손가락이 끼이지 않도록 주의하세요.
- 스카이뷰 변색과 텐트 오염을 예방하기 위해서 사다리 커버를 반드시 사용하세요.
- 더 자세한 내용은 홈페이지에 안내된 영상을 참고하세요.

LIGHT BAR KIT ① 삽입된 USB 포트를 보조 배터리에서 분리합니다.
끄기

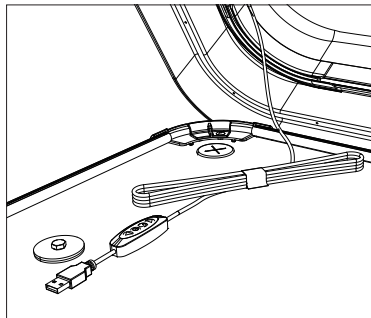
USB 포트 분리



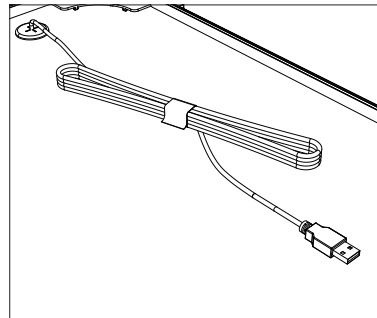
※ USB PORT 분리되면 별도의 전원 버튼 조작 없이 OFF 됩니다.

※ 보조배터리는 제공되지 않습니다.

INSIDE LED BAR 선 정리



OUTSIDE LED BAR 선 정리

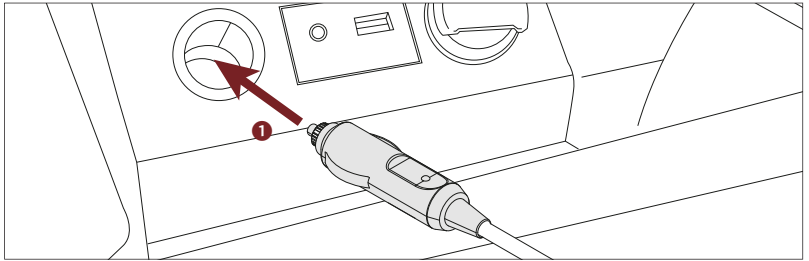


※ Light bar kit 미사용 시(철수 시) 벨크로 타이로 묶어서 보관하시기 바랍니다.
(텐트를 열고 닫을 때 하드웨어 끼임 등의 이유로 전선이나 USB 포트가 파손될 수 있습니다.)

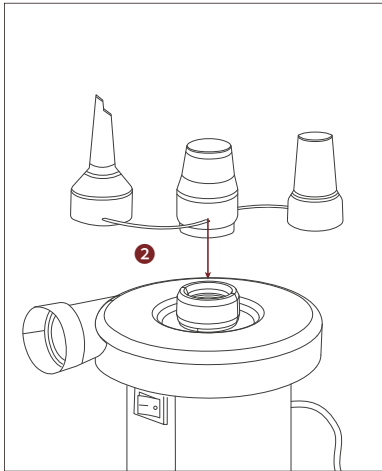
에어다운을
이용한
공기 배출 방법

- ❶ DC 12V 소켓을 연결합니다.
- ❷ 공기를 배출하고자 하는 제품의 밸브를 여십시오.
배출하고자 하는 제품에 펌프를 연결하고 흔들리지 않게 고정한 후 공기 배출을 위하여 스위치를 On 하거나 멈추기 위하여 스위치를 Off 하십시오.
("·" : 스위치 ON, "O" : 스위치 OFF)
- ❸ RTT Comfort 공기 배출구를 Deflate 방향으로 결합하여 공기를 배출합니다.

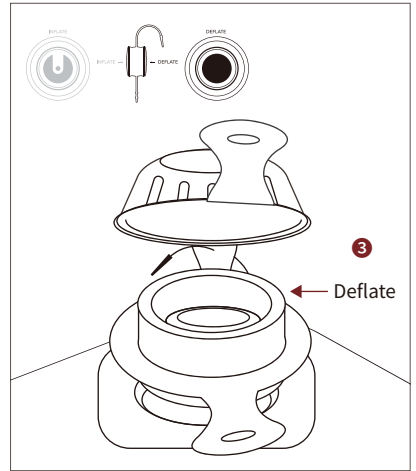
DC12V 소켓 연결



에어다운 어댑터



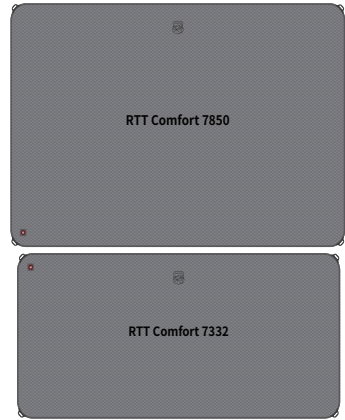
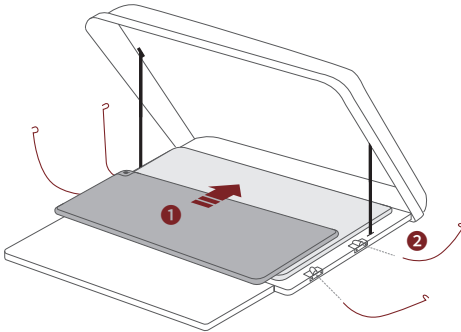
RTT Comfort 공기 배출구



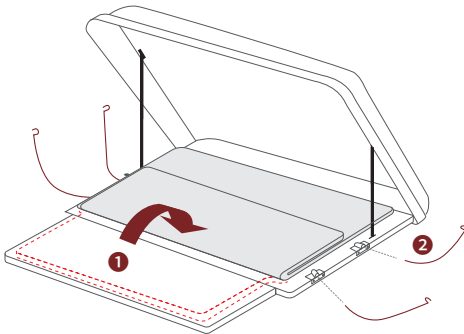
매트리스
정리 및
텐션폴 제거

- ① Skycamp DLX : RTT Comfort 7332를 RTT Comfort 7850 위에 올립니다
Skycamp DLX Mini : 펼쳐져 있는 RTT Comfort 5082를 접어 정리합니다.
※ 확장판에 걸리지 않도록 접거나 이동하여 손상에 주의 합니다.
- ② 설치된 텐션폴을 제거합니다.
- ③ 열려있는 창문의 지퍼를 닫되, 접을 때 바람이 빠질 수 있도록 일부 열어 둡니다.

Skycamp DLX

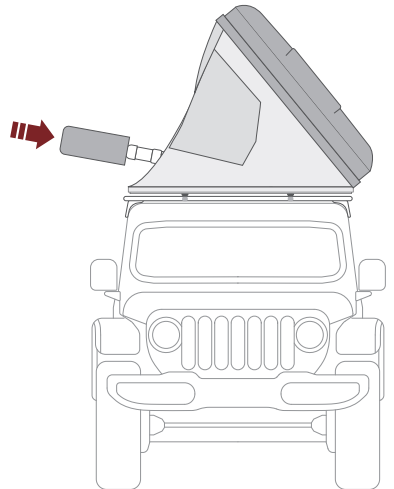
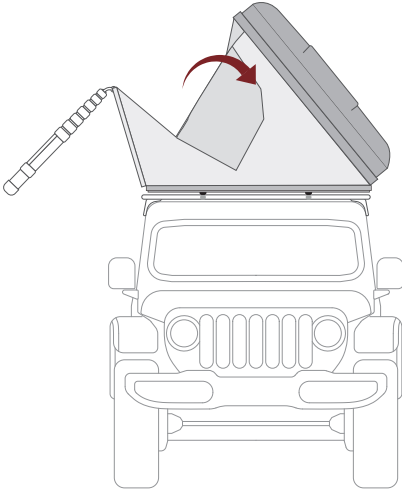


Skycamp DLX Mini



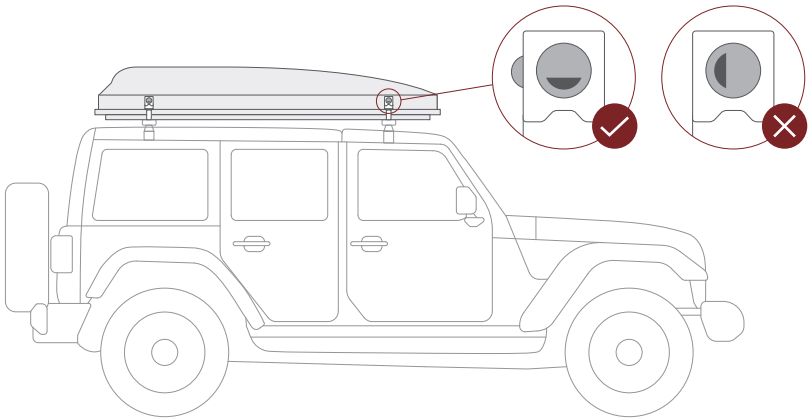
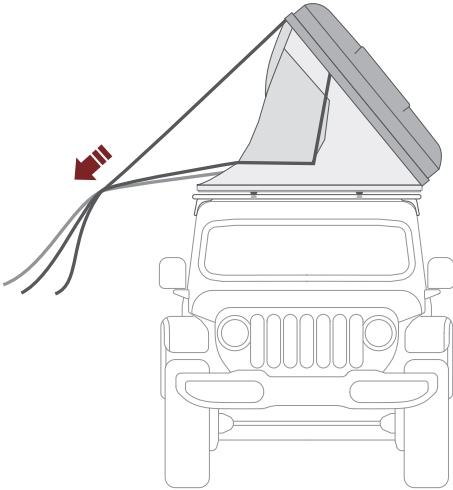
사다리,
확장패널
접기

- ❶ 사다리의 위쪽 발판부터 차례로 밀어 넣습니다.
- ❷ 사다리를 들어올려 확장패널을 본체 안쪽으로 접어 넣습니다.
- ❸ 사다리 커버를 씌웁니다.



하드 셸 닫기

- 1 3개의 끈을 잡아당겨 하드셸을 닫습니다.
- 2 하드셸을 완전히 닫습니다. 텐트 원단이 하드 셸 안쪽으로 남김없이 들어갔는지 확인하세요.
- 3 하드셸을 아래로 당기고 잠금 장치를 잠급니다.
- 4 차량 운행 전 2개의 잠금 장치가 제대로 잠겨 있는지 반드시 확인하세요.



(주)아이캠퍼 제품을 구입해 주셔서 감사드립니다. 본 제품은 엄격한 품질 관리 및 검사 과정을 거쳐 만들어졌으며 품질 보증기간은 2년입니다.

2년 보증

구입 후 정상적인 사용상태에서 발생한 성능·기능상의 하자로 수리가 필요한 경우, 구매일로부터 2년간 무상으로 수리 또는 교체해 드립니다.

예외사항

- 사용으로 인한 정상적 마모
- 루프탑 텐트의 일반적인 작동에 영향을 미치지 않는 변형 (원단의 탈색, 비닐창의 변색 등)
- 제품을 임의로 수선 또는 개량한 경우
- 보관 및 사용상의 부주의로 인한 고장
- UV 또는 관리소홀로 인한 뚜껑 변색

아이캠퍼 공식 딜러

iKamper 제품은 웹사이트와 계속 증가하고 있는 파트너사를 통해 바로 이용할 수 있습니다. 가장 가까운 위치를 확인하세요. iKamper 제품을 직접 보고 설치뿐만 아니라 전문가의 조언을 받을 수 있습니다. iKamper 모델이 전시되어 있지 않을 수 있으므로 방문 전 전화로 먼저 확인하세요.

www.ikamper.com



Allgemeine Sicherheitshinweise		02
Spezifikationen	· Bestandteile	04, 06
	· Technische Daten	05, 07
Montage	· Übersicht	09
	· Anpassung der Querträger	10
	· Montieren des Skycamp DLX /DLX Mini	11
	· Montieren der Befestigungsklammern	12
Aufbau	· Öffnen der Hartschale	15
	· Ausklappen des Bodens	16
	· Montieren der Leiter	17
	· Ausstellen des Vordachs	18
	· Einsetzen der Matratze u. Optionen	19
	· Aufblasen mittels Air Down	20
	· LIGHT BAR KIT einschalten	21
Abbau	· LIGHT BAR KIT ausschalten	22
	· Luftauslass mittels Airdown	23
	· Einpacken der Matratze u. Spannstangen	24
	· Zusammenklappen der Leiter und des Bodens	25
	· Schließen der Hartschale	26
Garantie		27

*Dieses Produkt kann zum Zweck der Leistungsverbesserung ohne vorherige Ankündigung geändert werden und sich daher vom Inhalt und den Abbildungen des Benutzerhandbuchs leicht unterscheiden.

Vorsichtsmaßnahmen



Die Produkte von iKamper sind dazu gedacht, Outdoor-Aktivitäten bequemer zu gestalten. Es werden strikte Qualitätskontrollen und Inspektionen durchgeführt, um die Herstellung von sicheren Produkten zu gewährleisten. Allerdings besteht bei Outdoor-Aktivitäten immer ein gewisses Unfallrisiko, weshalb Sie stets vorsichtig sein sollten. Es sollte Ihnen bewusst sein, dass ein unsachgemäßer Gebrauch des Produkts nicht nur zu Sach- oder Personenschäden, sondern auch zu schweren Verletzungen oder sogar zum Tod führen kann. Ihre Sicherheit in bestimmten Situationen beruht auf Ihren Fähigkeiten und auf Ihrer Erfahrung. Achten Sie deshalb immer auf Ihre Umgebung und die Wetterbedingungen. Da die Ausrüstung Ihre Sicherheit nicht garantiert, sollten Sie sich bereits im Vorfeld mit dem Gebrauch des Produkts vertraut machen, genügend Übung haben, und das Produkt nur im Rahmen seines Funktionszwecks und Funktionsweise nutzen. Falls Sie Fragen bezüglich der Montage oder des Gebrauchs haben, kontaktieren Sie uns bitte unter support@ikamper.com.

Montage

- Vergewissern Sie sich nach dem Kauf, dass alle Teile vorhanden sind.
- Bitte folgen Sie den beiliegenden Anweisungen und wenden Sie sich an den Support von iKamper, wenn Sie weitere Unterstützung benötigen.
- Bitte seien Sie vorsichtig, wenn Sie das Produkt bewegen, denn es ist schwer.
- Tragen Sie unbedingt Schutzhandschuhe und Sicherheitsschuhe.
- Wenn Sie gesundheitliche Probleme haben, versuchen Sie nicht, das Produkt eigenständig zu montieren.
- Bei einigen Fahrzeugen ist der Dachträger möglicherweise nicht zum Montieren von Dachzelten geeignet.
- Wenn Sie vorhaben, die Montage selbst vorzunehmen, machen Sie sich bitte vorher mit der Vorgehensweise genau vertraut. (Siehe Seiten 10-13 oder das Montagevideo auf unserer Website)
- Wenn Sie weitere Fragen zur Montage haben, wenden Sie sich bitte an einen Verkaufsrepräsentanten.

Fahren

- Bitte vergewissern Sie sich vor dem Fahren des Fahrzeugs, dass das Zelt sicher montiert ist. Wenn die Befestigungsklammern nicht fest montiert sind, kann es zu Unfällen und/oder Schäden kommen.
- Vergewissern Sie sich vor dem Losfahren, dass die Hartschale vollständig geschlossen und fest verriegelt ist.
- Die empfohlene Höchstgeschwindigkeit ist 110 km/h (70 mph).
- Die Fahrgeschwindigkeit ist von den Fahrbedingungen abhängig, d. h. von der Straßenart, dem Zustand der Straße, dem Wetter (Wind, Regen) und Geschwindigkeitsbegrenzungen, und kann deshalb variieren.
- Bitte benutzen Sie das Produkt möglichst nicht bei extremen Wetterbedingungen (orkanartiger Wind, starker Regen, schwerer Schneefall usw.).
- Bei unebenen Straßen oder Bodenschwellen sollten Sie langsamer fahren.
- Bei Fahrzeugen mit Dachträgern, die über eine geringe Tragfähigkeit verfügen, muss man besonders vorsichtig sein, da der Dachträger beim Fahren brechen kann.
- Wenn Sie nach dem Befestigen des Zeltes durch einen Bereich oder eine Unterführung mit niedriger Durchfahrthöhe fahren, müssen Sie vorsichtig sein, damit Sie das Zelt nicht beschädigen.
- Fahren Sie Ihr Fahrzeug nicht bei aufgeklapptem Zelt.

Montage

- Bitte beachten Sie, dass eine übermäßig starke Krafteinwirkung bei der Montage das Produkt beschädigen kann.
- Die Nutzung von beschädigten Produkten kann zu Unfällen führen. Kontaktieren Sie den iKamper After Service, wenn Sie glauben, dass Ihr Produkt beschädigt ist.
- Beim Gebrauch des Zeltes dient die Leiter als Stütze. Aus diesem Grunde sollte der Nutzer die Arretierung der einzelnen Leiterstufen prüfen und sicherstellen, dass die Leiter stabil steht. Wenn ein Verschluss defekt oder die Leiter beim Hochsteigen instabil ist, kann dies zu Schäden am Produkt oder zu Verletzungen führen.
- Der Untergrund, auf dem das Zelt aufgestellt wird, sollte flach und fest sein. Folgende Bedingungen sollten vermieden werden: rutschige Stellen, bei denen die Gefahr besteht, dass sich die Leiter bewegt, z. B. Steine, Sand, Schlamm, Kiesel oder Schrägen.

Gebrauch

- Lassen Sie Ihre Kinder nicht alleine im Zelt.
- Passen Sie auf, dass Sie nicht von der Leiter fallen.
- Die Stufen der Leiter können aufgrund von Regen, Schlamm, Schmutz und/oder Vereisung rutschig sein.
- Verwenden Sie im Zelt niemals brennbare Stoffe und/oder offenes Feuer und Licht.
- Stellen Sie das Zelt nicht neben einem Lagerfeuer oder einer Feuerstelle auf. Die Wahrscheinlichkeit ist sehr hoch, dass Funken Löcher in den Zeltstoff brennen und einen Produktschaden oder ein Feuer verursachen.
- Der Zeltstoff besteht aus einem Baumwollgemisch, das in manchen Bereichen eventuell feucht werden kann, je nach Stärke oder Dauer des Regens. Hierbei handelt es sich nicht um einen Produktfehler, sondern es ist ein natürlich auftretendes Phänomen aufgrund der Eigenschaften des aus Polyester-Baumwolle bestehenden Zeltstoffes. (Weitere Informationen finden Sie in dem Dokument, das dem Nahtdichter beiliegt.)
- Aus Sicherheitsgründen sollten Zelte bei einer Windgeschwindigkeit von über 10 m/sec (37 km/h, 20 Knoten) nicht genutzt werden.
- Bitte nutzen Sie das Zelt nicht bei extremen Wetterbedingungen (stürmischen Wind, starker Regen, schwerer Schneefall usw.).

Pflege & Wartung

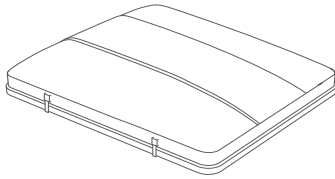
- Stellen Sie sicher, dass es vollständig trocken bleibt.
- Aufgrund der Konstruktion des Baumwoll-Polyester-Zeltstoffes kann es bei starkem Regen oder Wind in seltenen Fällen zu minimalen Leckagen an den Nähten kommen.
- Eine langfristige Lagerung in feuchter Umgebung kann zur Pilz- oder Geruchsentwicklung und zu einer Verfärbung führen, wodurch sich die Lebensdauer des Produkts verkürzen kann.
- Aufgrund der Konstruktion des Polycotton-Zeltstoffes kann es bei starkem Regen oder Wind in seltenen Fällen zu minimalen Leckagen an den Nähten kommen.
- Stellen Sie sicher, dass Sie alle Verunreinigungen oder Fremdstoffe entfernen, da diese das Produkt beschädigen können.

Hartschale

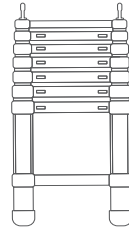
- Wenn die Hartschale über einen langen Zeitraum hinweg der Witterung ausgesetzt ist (z. B. Staub, Schnee, Regen, Tau usw.), können sich Mineralablagerungen bilden, wodurch die Hartschale ihren Glanz verliert. Durch das Auftragen einer Wachsbeschichtung alle zwei Monate kann dies verhindert werden.
- Stellen Sie sicher, dass sich kein stehendes Wasser auf der Hartschale befindet (infolge von Regen oder geschmolzenem Schnee).

Spezifikationen : **Skycamp DLX**

Bestand- teile



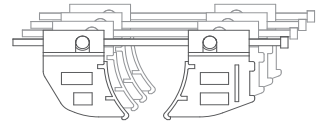
Zelt ×1



Leiter ×1



Spannstange Typ A ×2



Befestigungsklammer ×4



Spannstange Typ B ×4

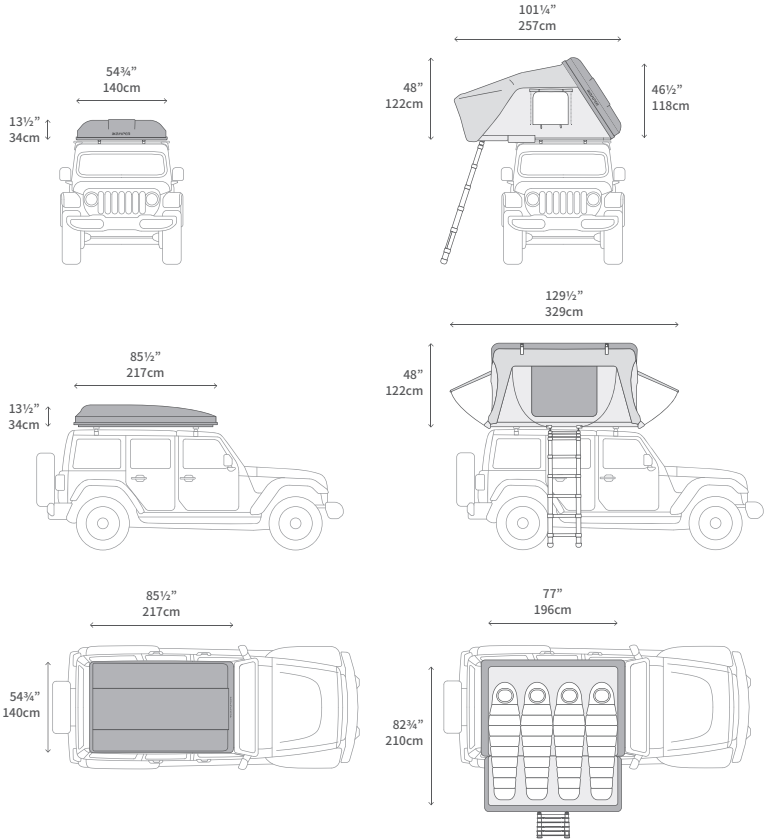


Inbusschlüssel ×1



Verschlusskappe für
Schiene ×4

Technische Daten

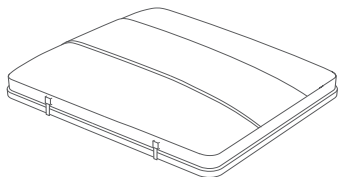


- Gewicht
 - Zelt - 155lb, 70kg
 - Leiter - 13lb, 6kg
 - RTT Comfort - 15lb, 7kg
- Tragkraft
 - 900lb, 408kg
- Tragkraft der Leiter
 - 330lb, 150kg
- Höchstgeschwindigkeit
 - 70mph, 110km/h
- Wind-Einstufung
 - 23mph, 10m/s, 20Knoten
- Hartschale
 - Zweilagiger GFK
- Tropendach
 - Black Polyester Rip Stop 75D mit PU-Beschichtung, 3000mm, DWR , UV
- Zelthülle
 - Grau W/R 100%, Garn: T/C 20 's, Gewicht: 300g/Sqm
- Boden
 - Kork + Aluminium

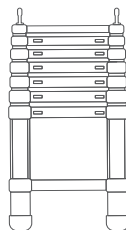
*Die tatsächlichen Maße der einzelnen Produkte können unterschiedlich ausfallen.

Spezifikationen : **Skycamp DLX** Mini

Bestand- teile



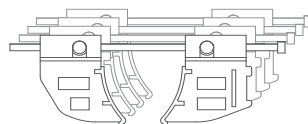
Zelt ×1



Leiter ×1



Spannstange Typ B ×2



Befestigungsklammer ×4



Spannstange Typ C ×4

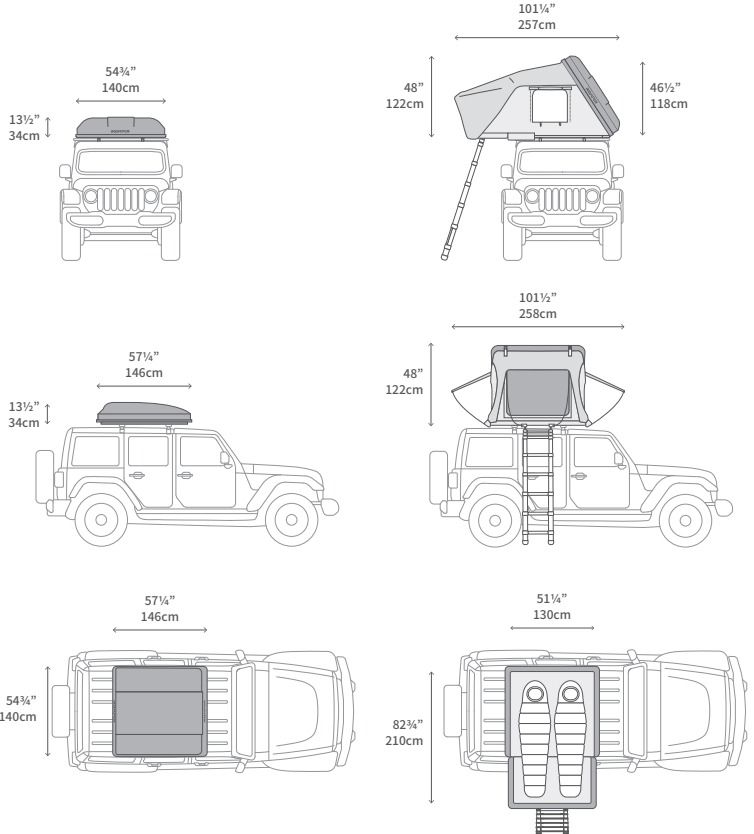


Inbusschlüssel ×1



Verschlusskappe für
Schiene ×4

Technische Daten



- Gewicht
 - Zelt - 110lb, 50kg
 - Leiter - 13lb, 6kg
 - RTT Comfort - 11lb, 5kg
- Tragkraft
 - 900lb, 408kg
- Tragkraft der Leiter
 - 330lb, 150kg
- Höchstgeschwindigkeit
 - 70mph, 110km/h
- Wind-Einstufung
 - 23mph, 10m/s, 20Knoten
- Hartschale
 - Zweilagiger GFK
- Tropendach
 - Black Polyester Rip Stop 75D mit PU-Beschichtung, 3000mm, DWR, UV
- Zelthülle
 - Grau W/R 100%, Garn: T/C 20 's, Gewicht: 300g/Sqm
- Boden
 - Kork + Aluminium

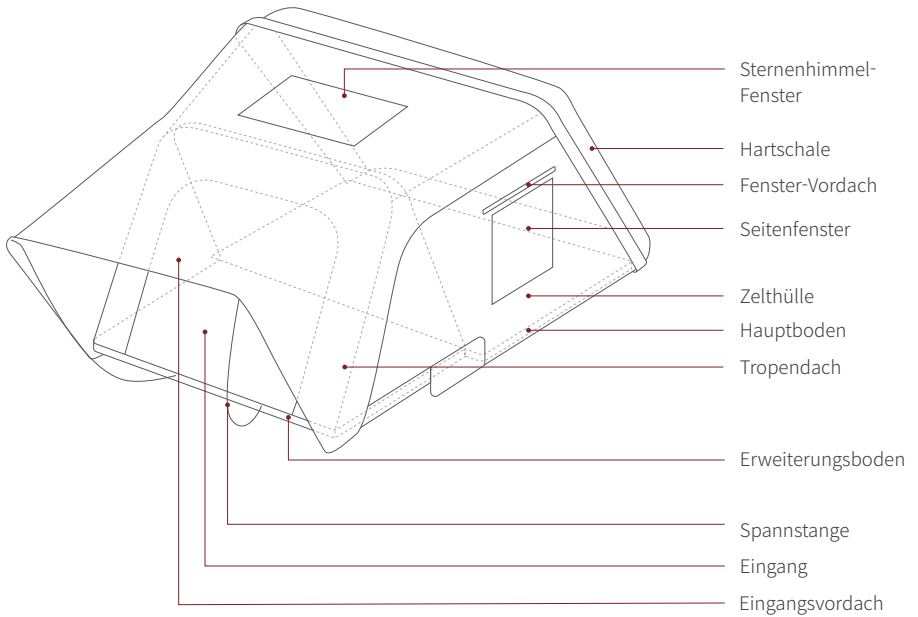
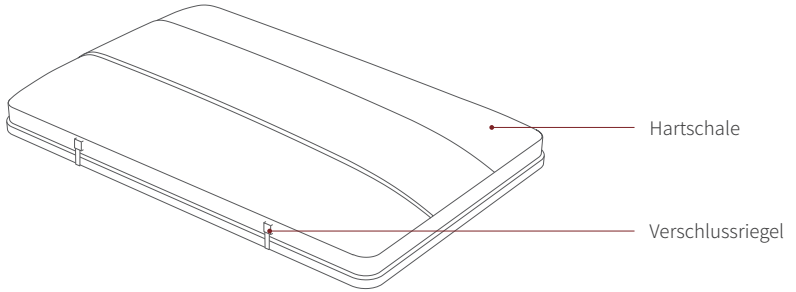
*Die tatsächlichen Maße der einzelnen Produkte können unterschiedlich ausfallen.

Montage



- Zur Montage des Skycamp DLX / DLX Mini muss Ihr Fahrzeug über einen Dachträger oder Querträger verfügen. (Nicht inbegriffen)
- Prüfen Sie die Tragkraft des Dachträgers oder der Querträger.
 - Gewicht des Skycamp DLX :
Zelt - 155lb, 70kg / Leiter - 13lb, 6kg / RTT Comfort - 15lb, 7kg
 - Gewicht des Skycamp DLX Mini :
Zelt - 110lb, 50kg / Leiter - 13lb, 6kg / RTT Comfort - 11lb, 5kg
- Zur Gewährleistung Ihrer Sicherheit muss dieses Produkt an der richtigen Stelle fest montiert werden.
- Bitte folgen Sie den beiliegenden Anleitungen und wenden Sie sich an den Support von iKamper, wenn Sie weitere Unterstützung benötigen.
- Die Schrauben können sich aufgrund äußerer Einflüsse lösen.

Übersicht

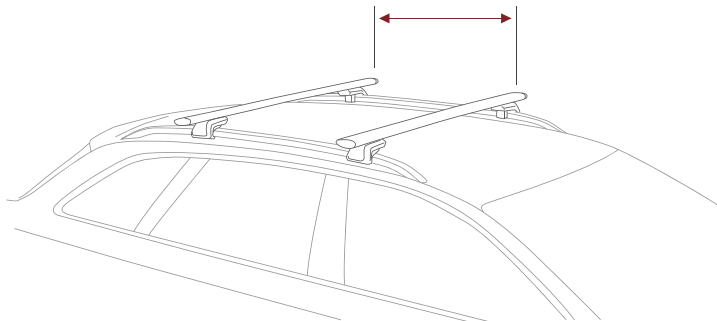


**Anpassung
der
Querträger**
(nicht
inbegriffen)

- 1 Passen Sie vor dem Montieren des Skycamp DLX / DLX Mini den Abstand des Dachträgers oder der Querträger entsprechend an.
- 2 Vergewissern Sie sich, dass der Dachträger oder die Querträger sicher befestigt sind.

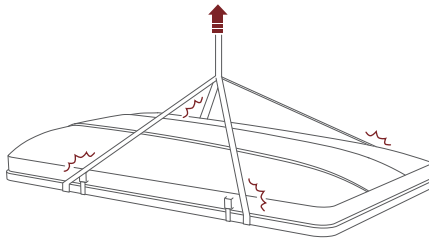
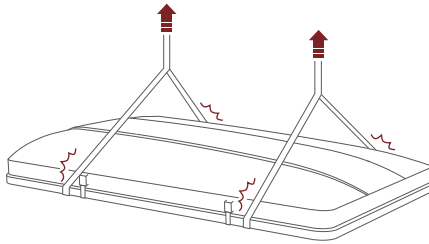
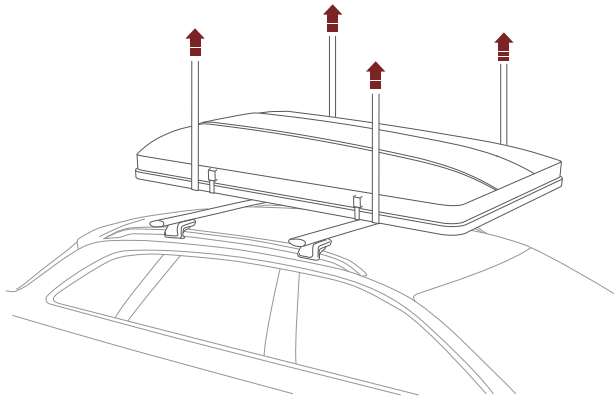
Mindestabstand

- Skycamp DLX : 30", 76cm
- Skycamp DLX Mini : 22", 55cm

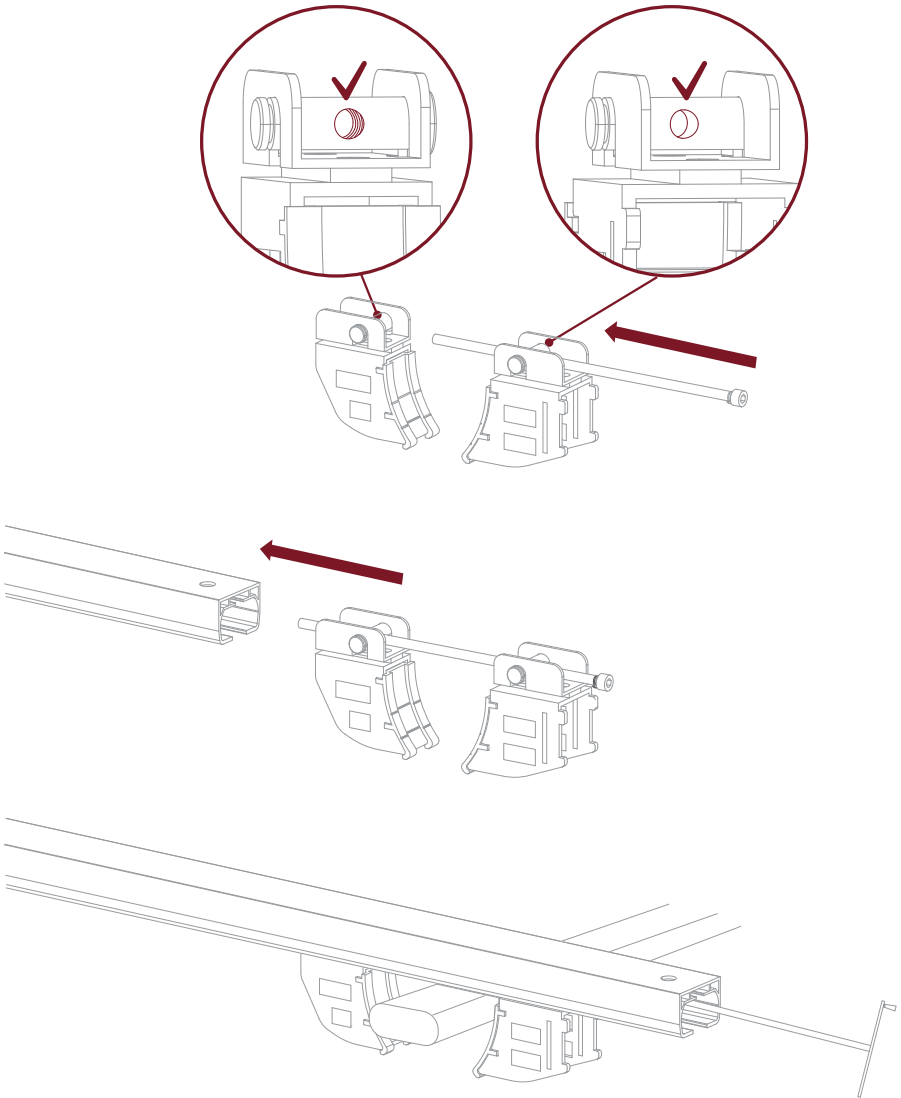


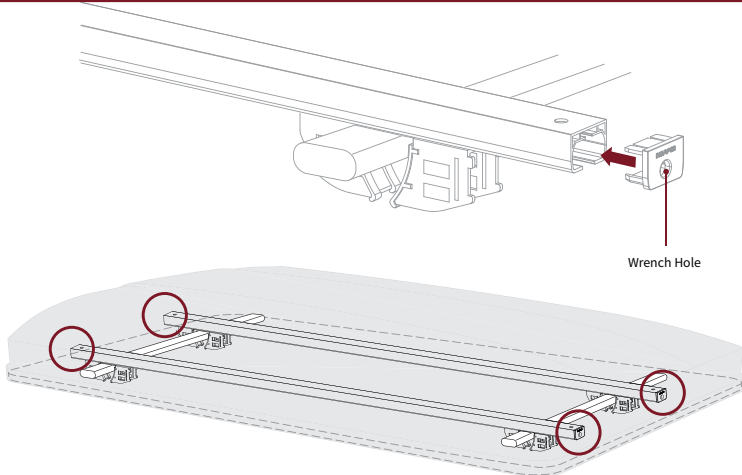
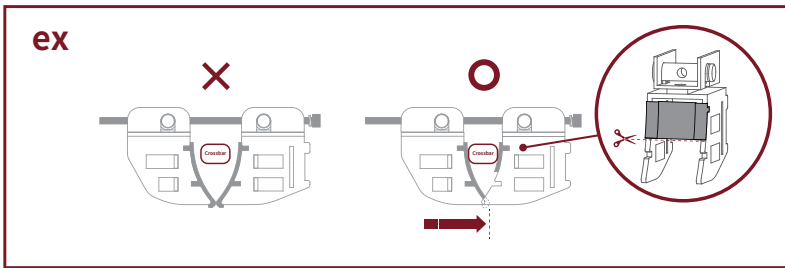
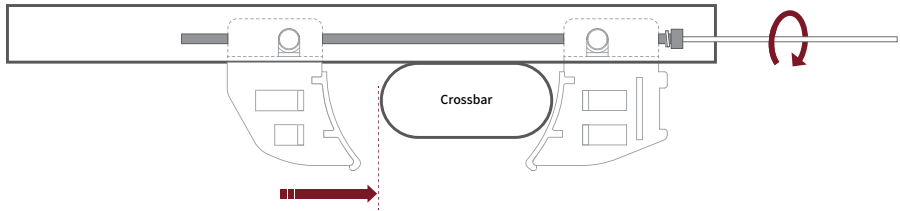
Montieren des Skycamp DLX / DLX Mini

- 1 Heben Sie die Hartschale an mindestens vier Stellen gerade nach oben (wenn keine Spezialgeräte zur Verfügung stehen, wie z. B. eine Hebevorrichtung, dann sollte dieser Schritt von mehreren Erwachsenen durchgeführt werden).
 - 2 Stellen Sie sicher, dass das Skycamp DLX / DLX Mini genau mittig und waagrecht ist.
- ⚠ Achtung! Passen Sie bei Verwendung einer Hebevorrichtung auf, dass Sie die Hartschale nicht eindrücken.



Montieren
der Befesti-
gungsklam-
mern





Gebrauch

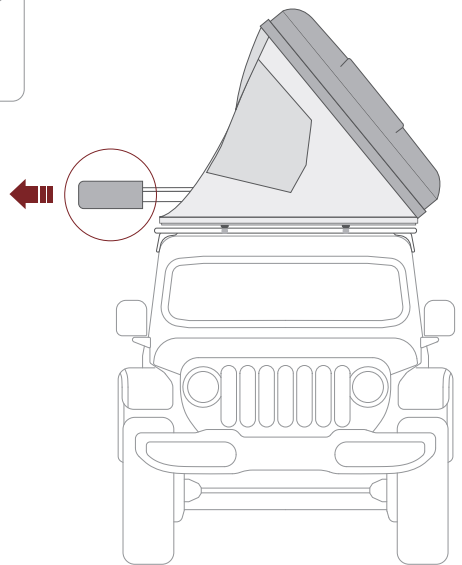
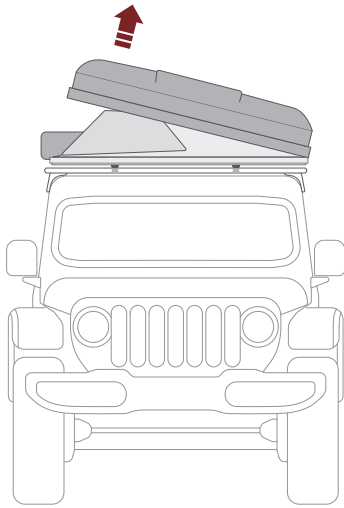


- Vor dem ersten Gebrauch sollten Sie das Zelt gut durchlüften.
- Die Leiter darf nicht auf unebenem Boden, Gestein, Sand oder Schlamm aufgestellt werden.
- Die Leiter dient als Stütze für den Erweiterungsboden des Skycamp.
- Stellen Sie immer sicher, dass die Leiter fest auf dem Boden steht und alle Stufen fest eingerastet sind, bevor Sie die Leiter hochsteigen.
- Ein versehentliches Zusammenklappen der Leiter kann zu schweren Verletzungen oder zu Schäden am Produkt führen.
- Wenn für die Leiter keine stabile, ebene Fläche auf dem Gelände vorhanden ist, parken Sie Ihr Fahrzeug an einer anderen Stelle.
- Halten Sie sich immer mit beiden Händen an den Seiten der Leiter fest.
- Nehmen Sie eine Stufe nach der anderen.
- Passen Sie auf, dass Sie nicht von der Leiter fallen.
- Passen Sie auf, dass Sie sich nicht infolge der Dehnfähigkeit der Spannstange verletzen.
- Aufgrund der Beschaffenheit des Korkbodens, der aus natürlichen Bestandteilen hergestellt wurde, kann die Oberfläche nicht gleichmäßig sein.
- Der Boden kann durch Lebensmittel verunreinigt werden, da er mittels komprimiertem Korkholz befestigt wurde.
- Sollte der Korkboden mit Wasser oder Lebensmitteln in Berührung kommen, wischen Sie ihn sofort mit einem trockenen Lappen ab, um Durchnässung zu vermeiden, und lassen Sie ihn an einem gut belüfteten Ort trocknen, bis er ausreichend getrocknet ist.
- Beachten Sie, dass Korkboden eine raue Oberfläche hat, die mit der Zeit absplittern kann, und dass die Verwendung eines Schwamms mit rauer Oberfläche zum Entfernen von Schmutz die Oberfläche beschädigen kann.
- Für eine ausführliche Montage-Anleitung sehen Sie sich bitte das Video an.
www.ikamper.com



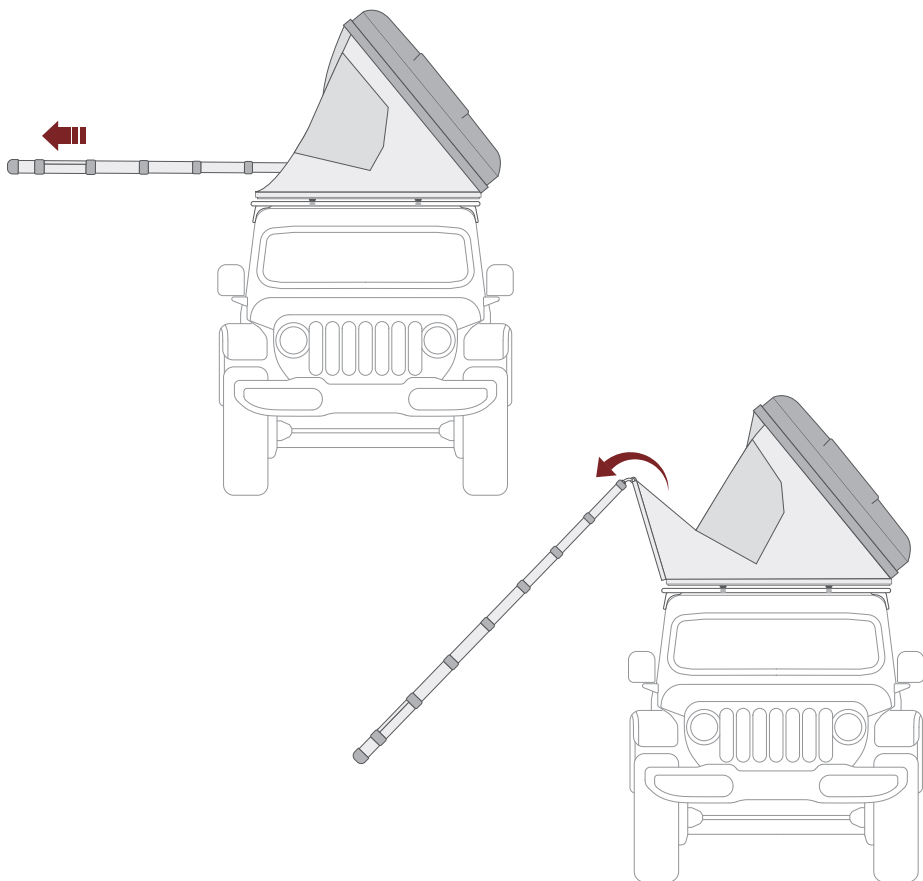
Öffnen der Hartschale

- 1 Öffnen Sie den Verschluss der Hartschale mit dem Schlüssel.
- 2 Drücken Sie die Hartschale nach oben. Durch die Gasdruckfedern wird diese sich selbst öffnen.
- 3 Entfernen Sie die Leiter-Abdeckung.



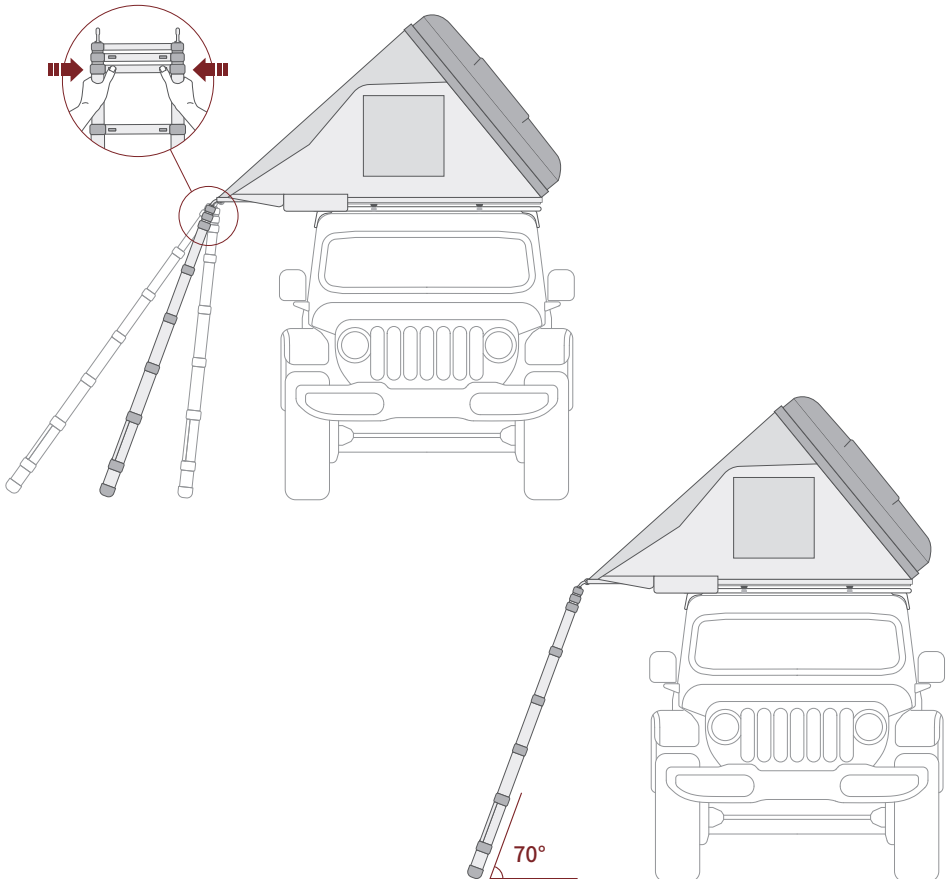
Ausklappen des Bodens

- 1 Ziehen Sie die Leiter zu sich heran, bis sie vollständig ausgezogen ist.
- 2 Wenn die Leiter vollständig ausgezogen ist, rasten die einzelnen Stufen automatisch ein.
- 3 Drücken Sie die Leiter nach unten. Hierdurch entsteht eine Hebelwirkung und der Erweiterungsboden wird gesenkt.



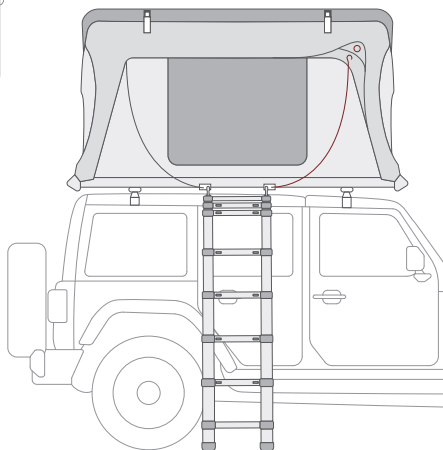
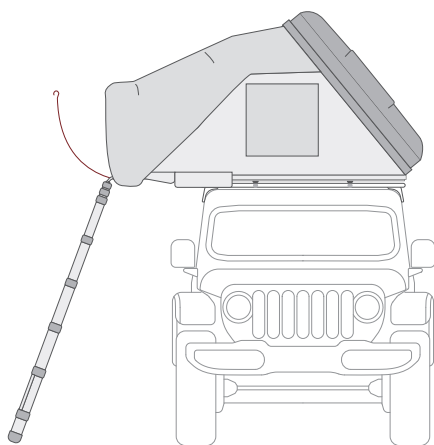
Aufstellen der Leiter

- 1 Der Hauptboden und der Erweiterungsboden sollten sich in horizontaler Position befinden und es sollte ein kleiner Zwischenraum zwischen den beiden Platten vorhanden sein (der Erweiterungsboden sollte ein wenig höher als der Hauptboden liegen).
- 2 Der ideale Winkel zwischen der Längsachse der Leiter und dem Boden ist 70 Grad.
- 3 Die Höhe der Leiter kann durch gleichzeitiges Drücken der Verschiebe-Tasten auf der rechten und der linken Seite der Stufen angepasst werden.
- 4 Wenn Sie die Länge der Leiter anpassen, stellen Sie sicher, dass sie mit einem hörbaren Klick einrastet.



Aufbauen des Vordachs

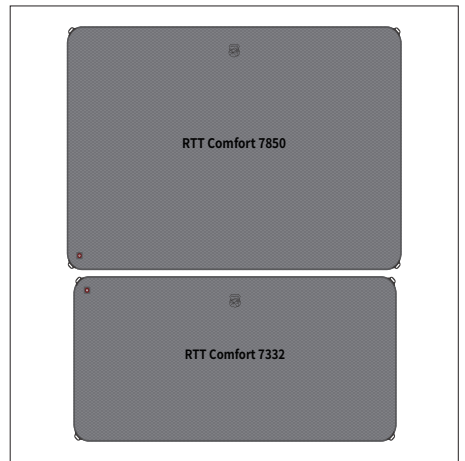
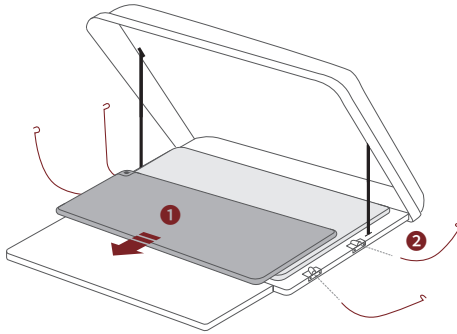
- 1 Skycamp DLX : 2 der 6 Spannstangen sind länger und werden für den Eingang benutzt.
Skycamp DLX Mini : 2 der 6 Spannstangen sind kürzer und werden für den Eingang benutzt.
- 2 Führen Sie die Spannstange diagonal in die Halterung ein, welche die Leiter mit dem Erweiterungsboden verbindet. Die Spannstange sollte behutsam eingeführt werden, bis ein Klicken zu hören ist.
- 3 Stecken Sie den Haken der Spannstange in die Metallöse an der Ecke des Tropendaches.
- 4 Haken Sie die am Tropendach befindlichen Schlaufen unter dem Erweiterungsboden ein.



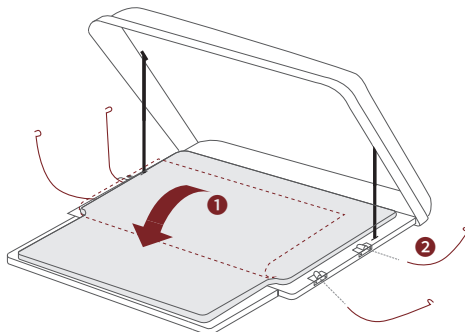
**Einsetzen
der Matratze
u. Optionen**

- 1 Skycamp DLX: Legen Sie die RTT Comfort 7332 in die richtige Position und blasen Sie diese auf.
Skycamp DLX Mini: Falten Sie die RTT Comfort 5082 auf und blasen Sie diese auf.
- 2 Skycamp DLX : 4 der 6 Spannstangen sind kürzer und werden für die Ausstelldächer der Fenster benutzt.
Skycamp DLX Mini : 4 der 6 Spannstangen sind länger und werden für die Ausstelldächer der Fenster benutzt.

Skycamp DLX



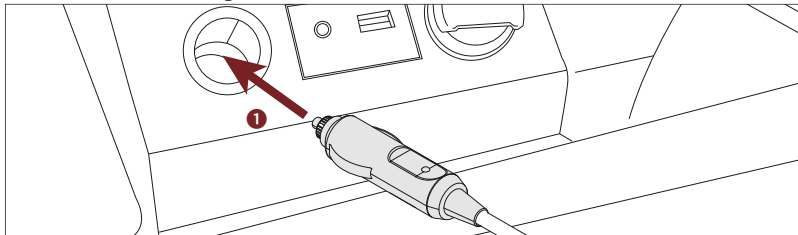
Skycamp DLX Mini



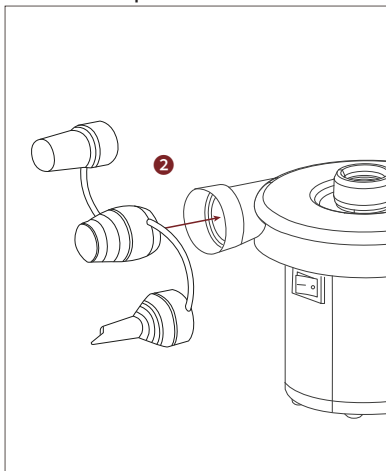
Aufblasen mittels Air Down

- 1** Achten Sie bitte darauf, dass Sie eine 12-Volt-Gleichspannung verwenden. Bitte verwenden Sie dieses Produkt nicht mit einer Powerbank, deren Gleichstromanschluss eine Leistung von weniger als 100W zulässt. Dies kann zu Schäden an der Powerbank führen. Dieses Produkt ist für Produkte mit hohem Volumen/Niederdruck wie Gummiboote, Luftmatten usw. geeignet. Beachten Sie bitte auch, dass eine ununterbrochene Benutzung von mehr als 20 Minuten zu einer Überhitzung des Produkts führen kann. (Überhitzung kann zu Verbrennungen und Schäden am Produkt führen).
- 2** Stecken Sie den Netzstecker in die Steckdose. Wählen Sie den passenden Adapter für das Produkt, das Sie aufblasen möchten, und schließen Sie ihn an den Aufblasanschluss der Matratze an. Schließen Sie Air Down an das aufzublasende Produkt an, befestigen Sie es, damit es sich nicht bewegt, und schalten Sie es ein, um es aufzublasen oder aus, um es zu stoppen.
("-" : Schalter EIN, "O" : Schalter AUS)
- 3** Blasen Sie die RTT Comfort auf, indem sie Aufblasöffnung entsprechend einrasten lassen.

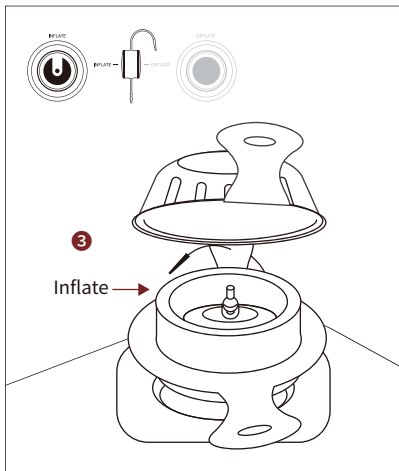
DC12V Steckverbindung



Air Down Adapter



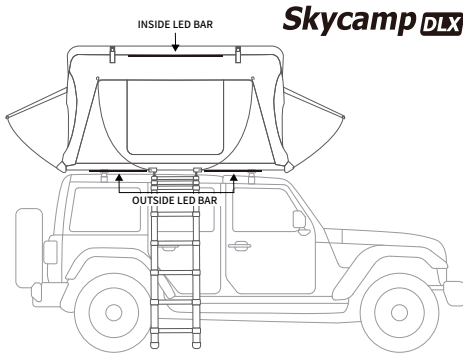
RTT Comfort Lufteinlass



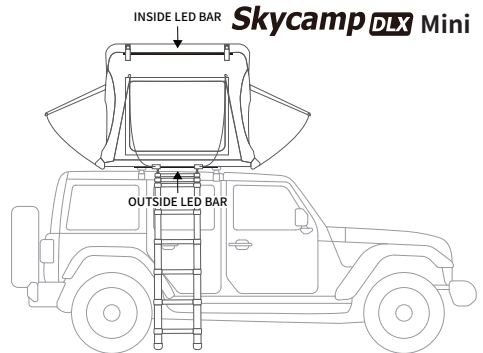
LIGHT BAR KIT einschalten

- ① Schließen Sie den USB-Anschluss an eine tragbare Batterie an. (5V DC erforderlich).
- ② Schalten Sie das LIGHT BAR KIT ein, indem Sie die Einschalttaste am Controller drücken.

LIGHT BAR KIT Lage

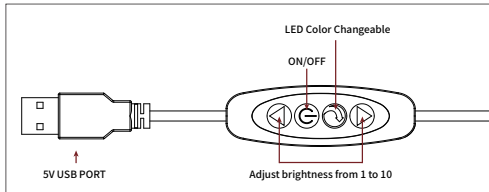


LED INNEN - 540lm (6W) / LED AUSSEN - 360lm X 2EA(4W X 2EA)



LED INNEN - 540lm (6W) / LED AUSSEN - 450lm (5W)

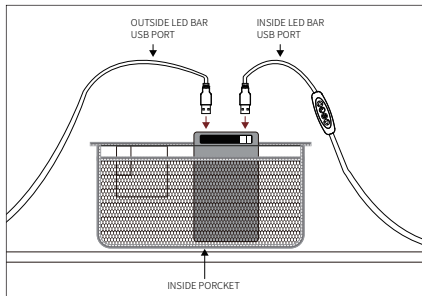
Anwendung von LIGHT BAR KIT Controller



<SPEZ>

- Umschaltbare LED-Farbe - WEISS & AMBER & WHITE AMBER
- Dimmsteuerung 1 - 10 einstellbare Helligkeitsstufen
- Eingangsspannung: DC5V
- Energieverbrauch: 4,5W
- Wasserdicht : IP65
- Betriebstemperatur -40+50°C

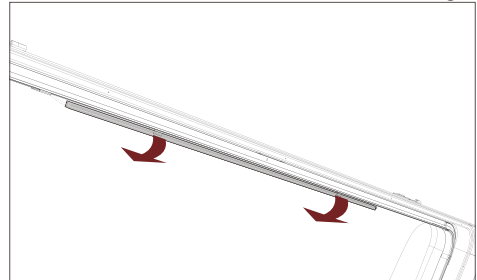
USB-Anschluss



- ※ 2 USB-Anschlüsse erforderlich. (bei gleichzeitiger Verwendung von INNEN und AUSSEN)
- ※ Tragbares Ladegerät nicht im Lieferumfang enthalten.

Ausbau von LIGHT BAR KIT

(Für Kundendienst oder abtrennbare Verwendung)



Um das Produkt abzunehmen/anzubringen, schrauben Sie LIGHT BAR in Pfeilrichtung.

Auf der Rückseite von LIGHT BAR ist ein Magnet eingebettet, mit dem es an jedem Eisenmaterial befestigt werden kann.

Demontieren

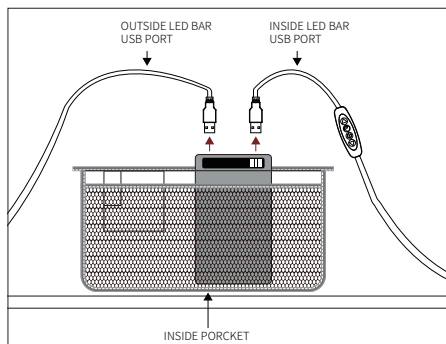


- Stellen Sie sicher, dass alle Gegenstände aus dem Zelt entfernt wurden.
- Lassen Sie das Zelt vollständig trocknen und falten Sie es dann zusammen.
- Passen Sie auf, dass Sie beim Zusammenfallen der Leiter nicht Ihre Finger einklemmen.
- Nutzen Sie unbedingt die Leiter-Hülle, um eine Verfärbung der PVC-Folie des Sternenhimmel-Fensters zu verhindern und das Zelt sauber zu halten.
- Für eine ausführliche Anleitung sehen Sie sich bitte das Video an.

LIGHT BAR KIT ausschalten

- 1 Trennen Sie den eingesteckten USB-Anschluss vom tragbaren Ladegerät nicht im Lieferumfang enthalten.

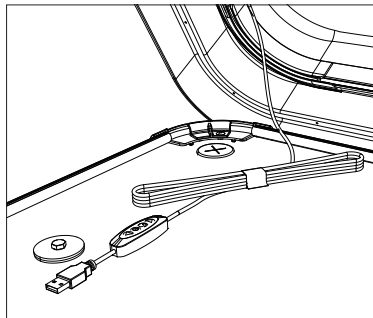
Trennen des USB-Anschlusses



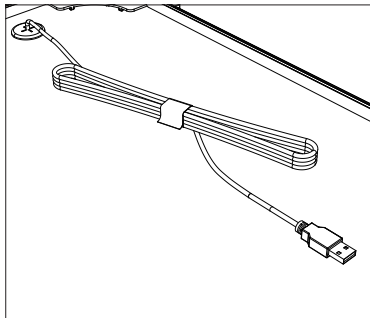
※ Wenn der USB-Anschluss getrennt wird, schaltet sich das Gerät aus, ohne dass der Netzschalter betätigt werden muss.

※ Tragbares Ladegerät nicht im Lieferumfang enthalten.

INSIDE LED BAR



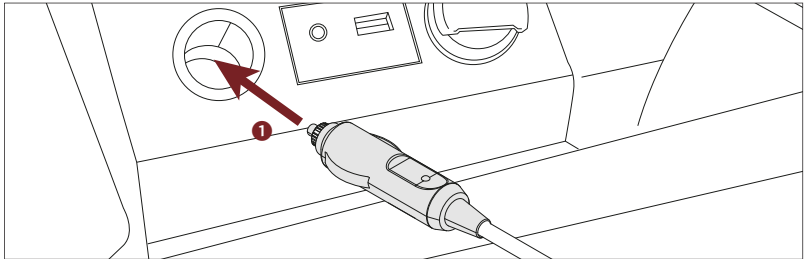
OUTSIDE LED BAR



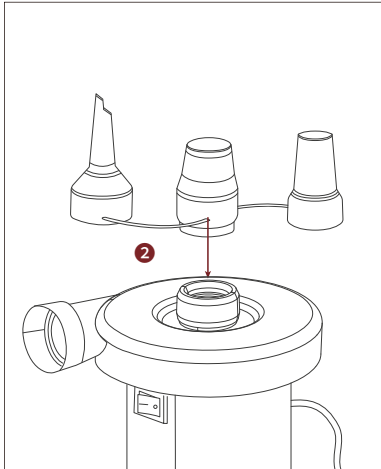
**Luftauslass
mittels
Airdown**

- ❶ Schließen Sie den Netzstecker an eine DC 12V Steckdose an.
- ❷ Öffnen Sie das Ventil des Produkts, aus dem Sie die Luft ablassen möchten. Schließen Sie Airdown an das zu entlüftende Produkt an, befestigen Sie es, damit es sich nicht bewegt, und schalten Sie es ein, um Luft abzulassen oder aus, um es zu stoppen.
("": Schalter EIN, "O": Schalter AUS)
- ❸ Blasen Sie den RTT Comfort auf, indem Sie die Aufblasöffnung in Inflat-Richtung einrasten lassen.

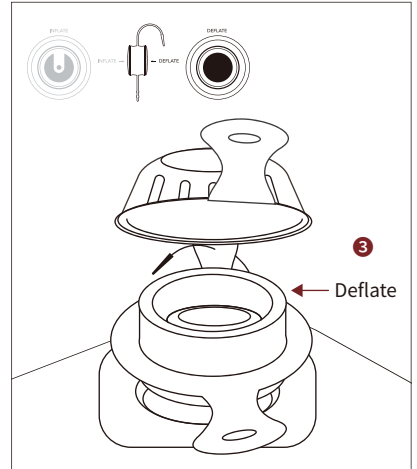
DC12V Steckverbindung



Air Down Adapter



RTT Comfort Luftauslass

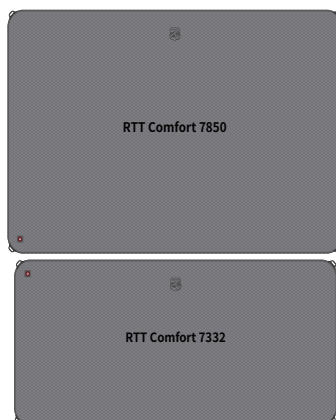
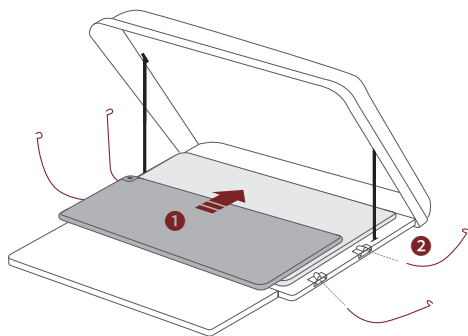


Demontieren

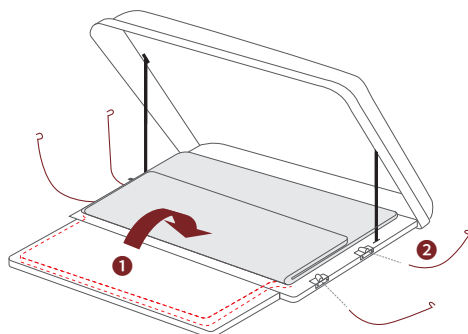
Zurücklegen der Matratze u. Spannstangen

- 1 Skycamp DLX : Legen Sie RTT Comfort 7332 auf RTT Comfort 7850.
Skycamp DLX Mini: Falten Sie die ausgeklappte RTT Comfort 5082, um sie zu verstauen.
※ Achten Sie darauf, das Produkt nicht zu beschädigen und es so zu falten, dass es nicht in den Verlängerungen hängenbleibt.
- 2 Entfernen Sie die montierten Spannstangen.
- 3 Schließen Sie den Reißverschluss des offenen Fensters bis auf eine kleine Öffnung, so dass etwas Luft entweichen kann, wenn das Zelt zusammengefaltet wird.

Skycamp DLX

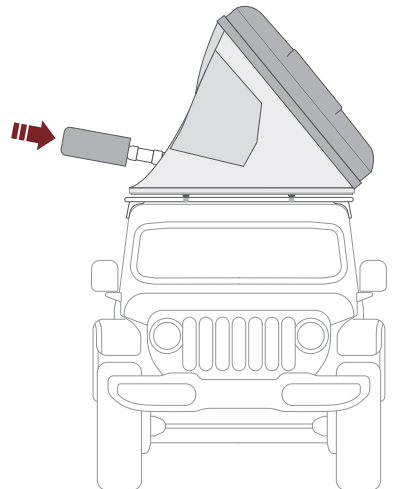
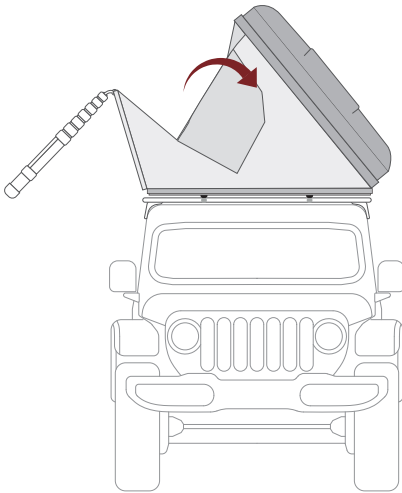


Skycamp DLX Mini



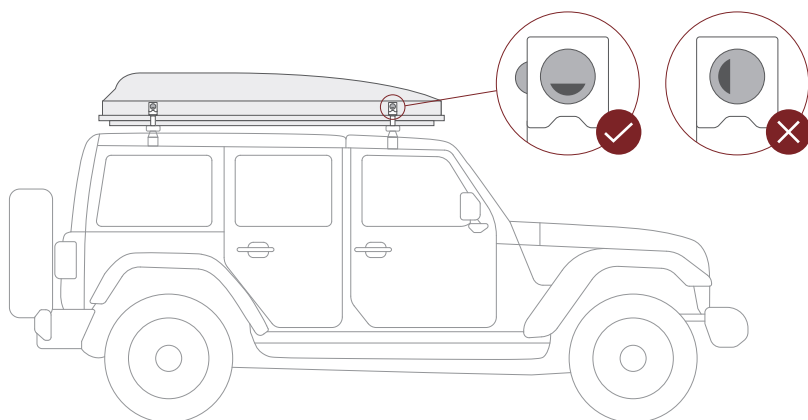
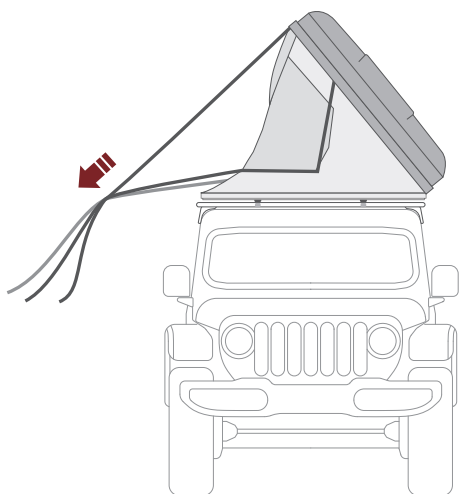
Zusammenklappen der Leiter und des Bodens

- ❶ Klappen Sie die Leiter von oben nach unten zusammen.
- ❷ Heben Sie die Leiter an, um den Erweiterungsboden zusammenzuklappen.
- ❸ Bringen Sie die Leiter-Hülle an.



Schließen der Hartschale

- 1 Schließen Sie die Hartschale, indem Sie an den drei Gurten ziehen.
- 2 Vergewissern Sie sich, dass der Zeltstoff vorne, hinten und an den Seiten vollständig in das Skycamp hineingesteckt wurde, bevor Sie die Hartschale schließen.
- 3 Ziehen Sie die Hartschale nach unten und verriegeln Sie die Verschlüsse.
- 4 Vergewissern Sie sich, dass beide Riegel sicher verschlossen sind, bevor Sie losfahren.



Vielen Dank für den Kauf dieses iKamper-Produkts. Dieses Produkt wurde einer strengen Qualitätskontrolle und Inspektion unterzogen und kommt mit einer Garantiezeit von zwei Jahren.

2 Jahre Garantie

Für 2 Jahre ab dem Kaufdatum wird iKamper fehlerhafte Teile reparieren oder ersetzen (nach Wahl von iKamper), ohne dass für den Kunden Kosten anfallen, wenn bei bestimmungsgemäßer Verwendung Leistungs- oder Funktionsfehler auftreten, die repariert werden müssen.

Ausnahmen

- Normale Abnutzungs- und Verschleißerscheinungen oder aufgrund der Nutzung auftretende optische Veränderungen.
- Ästhetische Veränderungen, die keine Auswirkung auf den allgemeinen Einsatz von Dachzelten haben. (Verfärbung des Gewebes, Verfärbung der PVC-Fenster usw.)
- Wenn das Produkt vom Kunden eigenmächtig repariert oder verändert wurde.
- Durch eine unvorsichtige Lagerung und Nutzung verursachte Schäden.
- Verfärbung der Hartschale aufgrund der Einwirkung von UV-Strahlen oder mangelnder Wartung.

Offizielle iKamper-Händler

iKamper-Produkte können direkt auf unserer Website oder bei einem unserer Partner auf der ständig wachsenden Partnerliste erworben werden. Bitte prüfen Sie, welcher Standort sich in Ihrer Nähe befindet, um sich iKamper-Produkte vor Ort anzusehen, professionellen Rat zu erhalten oder das Produkt von Fachleuten montieren zu lassen. Rufen Sie unbedingt vorher an, da bei den einzelnen Standorten nicht immer alle iKamper-Modelle ausgestellt werden.

www.ikamper.com



Precauciones		02
Especificaciones	· Componentes	04, 06
	· Especificaciones técnicas	05, 07
Montaje	· Sinopsis	09
	· Ajuste de las barras de techo	10
	· Montaje de la tienda Skycamp DLX/ DLX Mini	11
	· Instalación de los soportes de montaje	12
Uso	· Apertura de la carcasa	15
	· Extensión del panel	16
	· Instalación de la escalera	17
	· Instalación del toldo	18
	· Instalación del colchón y opciones	19
	· Cómo inflar utilizando el Air Down	20
	· Encender el LIGHT BAR KIT	21
Desmontaje	· Apagar el LIGHT BAR KIT	22
	· Cómo desinflar utilizando el Air Down	23
	· Guardado del colchón y las varillas tensoras	24
	· Plegado de la escalera y el panel	25
	· Cierre la carcasa	26
Garantía		27

*Este producto puede modificarse sin previo aviso para mejorar el rendimiento, y puede diferir ligeramente de los que aparecen en los contenidos e imágenes del manual de usuario.

Precauciones



Los productos iKamper están diseñados para facilitar y hacer más cómodas las actividades al aire libre. A fin de garantizar la fabricación de productos seguros, se llevan a cabo inspecciones y controles de calidad rigurosos. No obstante, durante las actividades al aire libre siempre existe el riesgo de sufrir accidentes, por lo que es aconsejable actuar siempre con precaución. Tenga en cuenta que un mal uso del producto podría resultar en lesiones graves o incluso la muerte, así como daños materiales o lesiones personales. Su seguridad depende de su habilidad y experiencia en las distintas situaciones. Por eso siempre debe tener en mente el entorno en el que se encuentra y las condiciones meteorológicas. Puesto que el equipo no garantiza su seguridad, debe usted familiarizarse con su uso de antemano, hacer las prácticas necesarias, y usarlo dentro de los límites de capacidad y resistencia del producto. Si tiene alguna pregunta sobre su instalación o uso, por favor póngase en contacto con support@ikamper.com.

Montaje

- Verifique que tiene todos los componentes tras comprar el producto.
- Por favor, siga las indicaciones provistas y consulte al servicio de asistencia al cliente de iKamper si necesita más ayuda.
- Tenga cuidado al trasladar el producto porque pesa bastante.
- Use guantes de seguridad y botas protectoras.
- Si tiene problemas de salud, no intente instalar el producto por su cuenta.
- La baca de algunos vehículos puede no ser apropiada para instalar este tipo de tiendas.
- Si piensa llevar a cabo la instalación usted mismo, familiarícese bien con el método de montaje. (Consulte las páginas 10-13 o visite nuestro sitio web para ver el vídeo de montaje.)
- Si tiene cualquier otra pregunta sobre la instalación, por favor póngase en contacto con uno de nuestros agentes de ventas.

Conducción

- Por favor, asegúrese de que la tienda está firmemente sujeta antes de poner en marcha el vehículo. Se pueden producir accidentes o daños si los soportes de montaje no están bien instalados.
- Compruebe que la carcasa esté completamente cerrada y que los pestillos estén bien asegurados antes de poner en marcha el vehículo.
- La velocidad máxima recomendada es de 110 km/h (70 millas por hora).
- La velocidad del vehículo puede variar según las circunstancias: el tipo y el estado de la carretera, el clima (viento, lluvia) y los límites de velocidad.
- En la medida de lo posible, procure no usar el producto en condiciones meteorológicas severas (huracanes, fuertes lluvias o nevadas, etc.).
- Reduzca la velocidad del vehículo en carreteras con desniveles o badenes.
- Si el vehículo tiene una baca poco sólida, hay que tener especial cuidado de que la baca podría romperse durante la marcha.
- Si después de montar la tienda, entra en un paso de carretera de espacio vertical reducido, ponga atención: la tienda puede resultar dañada.
- No conduzca el vehículo con la tienda abierta.

Instalación

- Tenga en cuenta que si se ejerce demasiada fuerza sobre el producto durante la instalación, este podría sufrir daños.
- El uso de productos dañados puede dar lugar a accidentes. Póngase en contacto con el servicio posventa de iKamper si cree que el producto está dañado.
- Al usar la tienda, la escalera actúa de soporte. Por tanto, el cliente debe inspeccionar las trabas de cada peldaño para verificar que la escalera está estable. Si las trabas son defectuosas o la escalera resulta inestable cuando una persona se sube a ella, pueden causarse daños al producto o lesiones físicas a las personas.
- El terreno sobre el que se instale la tienda debe ser llano y firme, y deben evitarse lugares resbaladizos donde la escalera corra el riesgo de moverse, tales como rocas, arena, barro, gravilla o superficies inclinadas.

Uso

- No deje a niños desatendidos en la tienda.
- Tenga cuidado de no caerse al usar la escalera.
- Los peldaños de la escalera pueden resbalar debido a lluvia, barro, tierra o hielo.
- Nunca utilice materiales inflamables dentro de la tienda.
- No monte la tienda cerca de una hoguera o de un foso para fogatas. Las ascuas podrían fácilmente agujerear el tejido, y provocar incendios o daños al producto.
- La tienda está hecha de un tejido que contiene algodón y puede verse afectado por la humedad en algunas partes, dependiendo de la cantidad de lluvia o del tiempo que se exponga a ella. No se trata de un defecto del producto, sino un fenómeno natural debido a las características de la tienda de polialgodón. (Para más información, consulte el documento adjunto con el sellador de costuras.)
- Por motivos de seguridad, no deben usarse tiendas en caso de viento fuerte que exceda los 37 km/h (10 m/s, 23 mph, 20 nudos).
- No use la tienda en malas condiciones meteorológicas (huracanes, lluvia torrencial, tormentas, fuertes nevadas, etc.).

Mantenimiento

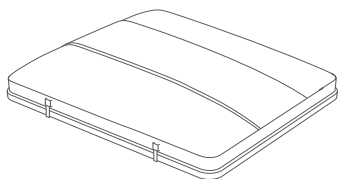
- Asegúrese de mantener la tienda completamente seca.
- La tienda está hecha de lona de polialgodón, por lo que es posible que, en raras ocasiones de fuerte viento y lluvia, se filtre un poco de agua en torno a las costuras.
- Un almacenamiento prolongado en lugares húmedos puede dar lugar a hongos, malos olores y decoloración, que podrían acortar la vida útil del producto.
- Limpie cualquier sustancia contaminante o extraña que se deposite sobre el producto porque podrían dañarlo.

Cofre

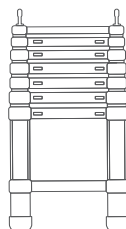
- Cuando la carcasa se expone a rigores externos como polvo, nieve, lluvia, rocío, etc. durante un periodo prolongado, se pueden acumular depósitos minerales sobre su superficie que deterioren el acabado. Para prevenirlo, conviene encerrarlo cada dos meses.
- Seque la humedad causada por la lluvia en la superficie la carcasa, y limpie la nieve antes de que se derrita.

Especificaciones : **Skycamp DLX**

Componentes



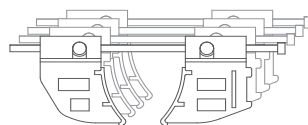
Tienda ×1



Escalera ×1



Varilla tensora de tipo A ×2



Fijaciones ×4



Varilla tensora de tipo B ×4

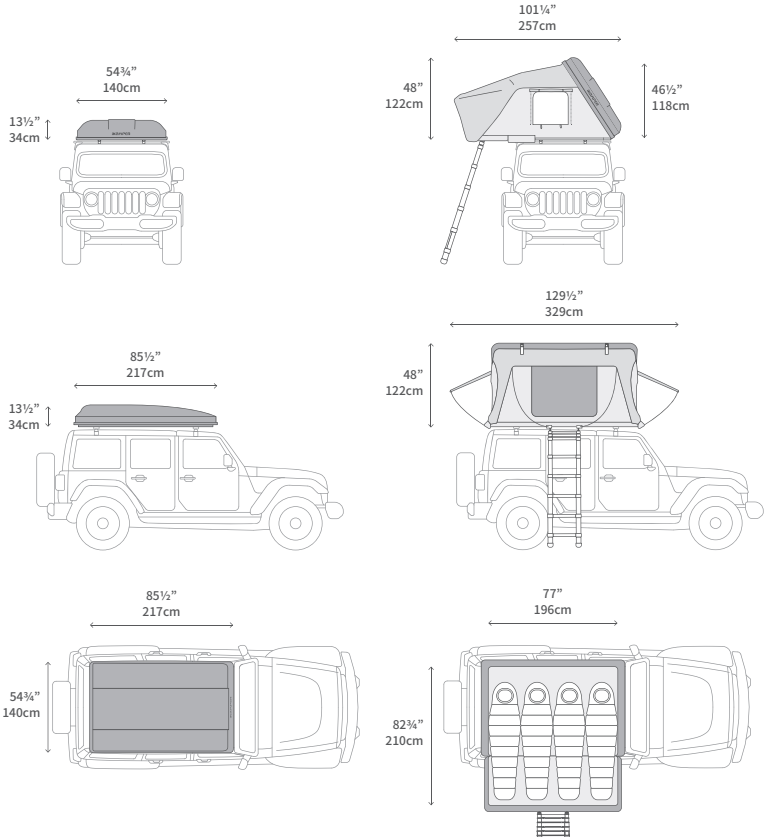


Llave Allen ×1



Tapa de riel ×4

Especificaciones técnicas

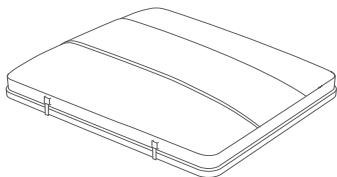


- Peso
 - Tienda - 155lb, 70kg
 - Escalera - 13lb, 6kg
 - RTT Comfort - 15lb, 7kg
- Capacidad
 - 900lb, 408kg
- Capacidad de la escalera
 - 330lb, 150kg
- Límite de velocidad
 - 70mph, 110km/h
- Límite de viento
 - 23mph, 10m/s, 20nudos
- Carcasa
 - PRF de dos capas
- Lona exterior
 - Black Polyester Rip Stop 75D recubierto de PU, 3000mm, DWR , UV
- Tienda interior
 - Gray W/R 100%, filo: T/C 20's, peso: 300g/Sqm
- Suelo
 - corcho + aluminio

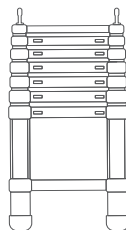
*En la práctica, las medidas pueden variar de un producto a otro.

Especificaciones : **Skycamp DLX** Mini

Componentes



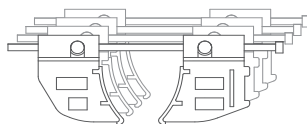
Tienda ×1



Escalera ×1



Varilla tensora de tipo B ×2



Fijaciones ×4



Varilla tensora de tipo C ×4

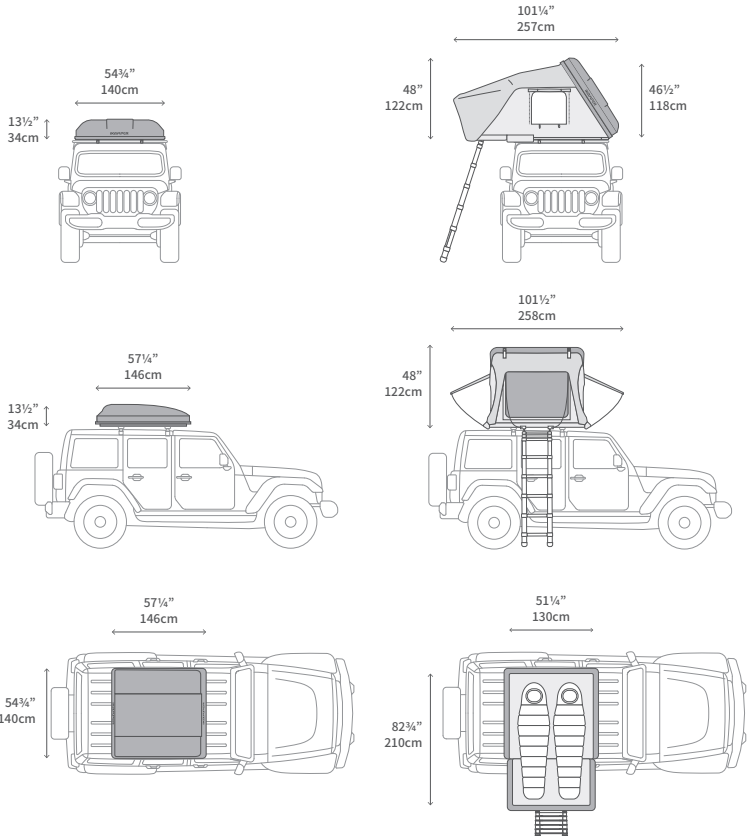


Llave Allen ×1



Tapa de riel ×4

Especificaciones técnicas



- Peso
 - Tienda - 110lb, 50kg
 - Escalera - 13lb, 6kg
 - RTT Comfort - 11lb, 5kg
- Capacidad
 - 900lb, 408kg
- Capacidad de la escalera
 - 330lb, 150kg
- Límite de velocidad
 - 70mph, 110km/h
- Límite de viento
 - 23mph, 10m/s, 20nudos
- Carcasa
 - PRF de dos capas
- Lona exterior
 - Black Polyester Rip Stop 75D recubierto de PU, 3000mm, DWR , UV
- Tienda interior
 - Gray W/R 100%, filo: T/C 20's, peso: 300g/Sqm
- Suelo
 - corcho + aluminio

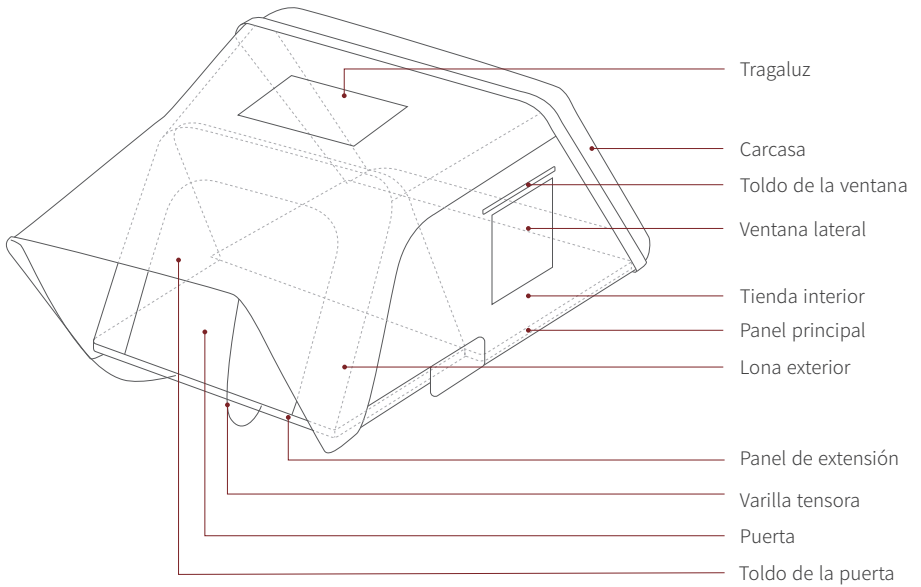
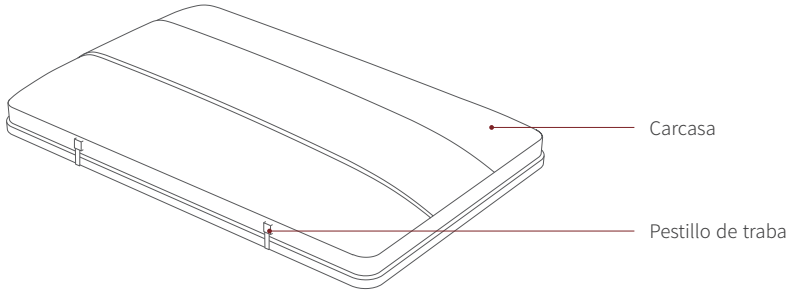
*En la práctica, las medidas pueden variar de un producto a otro.

Montaje



- Para poder montar la Skycamp DLX / DLX Mini, el vehículo debe tener una baca o las barras de techo ya instalados. (No incluido)
- Compruebe la capacidad de carga de la baca o las barras de techo.
 - Peso de la Skycamp DLX :
Tienda - 155lb, 70kg / Escalera - 13lb, 6kg / RTT Comfort - 15lb, 7kg
 - Peso de la Skycamp DLX Mini :
Tienda - 110lb, 50kg / Escalera - 13lb, 6kg / RTT Comfort - 11lb, 5kg
- El producto debe montarse firmemente en el lugar adecuado para salvaguardar la seguridad de los usuarios.
- Por favor, siga las indicaciones provistas y consulte al servicio de atención al cliente de iKamper si necesita más ayuda.
- Influencias externas pueden hacer que se aflojen los tornillos.

Sinopsis



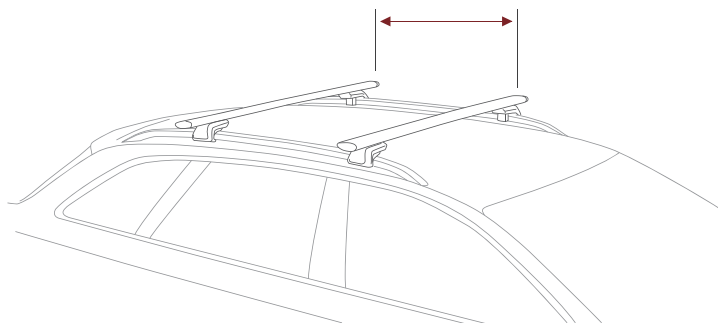
Ajuste de las barras de techo

(no incluidos)

- 1 Antes de instalar la Skycamp DLX / DLX Mini, ajuste la distancia entre los travesaños de la baca o los bastidores.
- 2 Asegúrese de que la baca o los bastidores están firmemente sujetos.

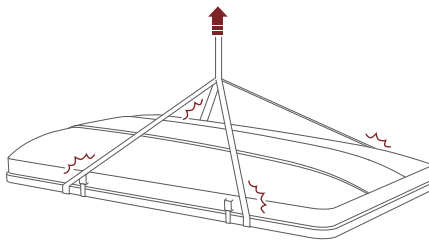
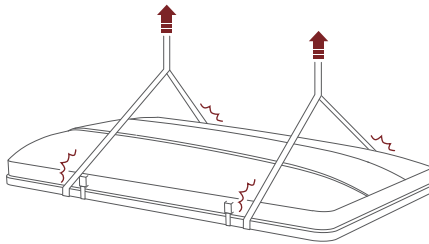
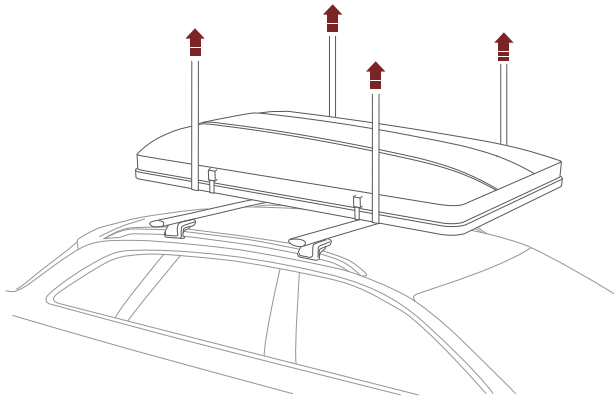
Distancia mínima

- Skycamp DLX : 30", 76cm
- Skycamp DLX Mini : 22", 55cm

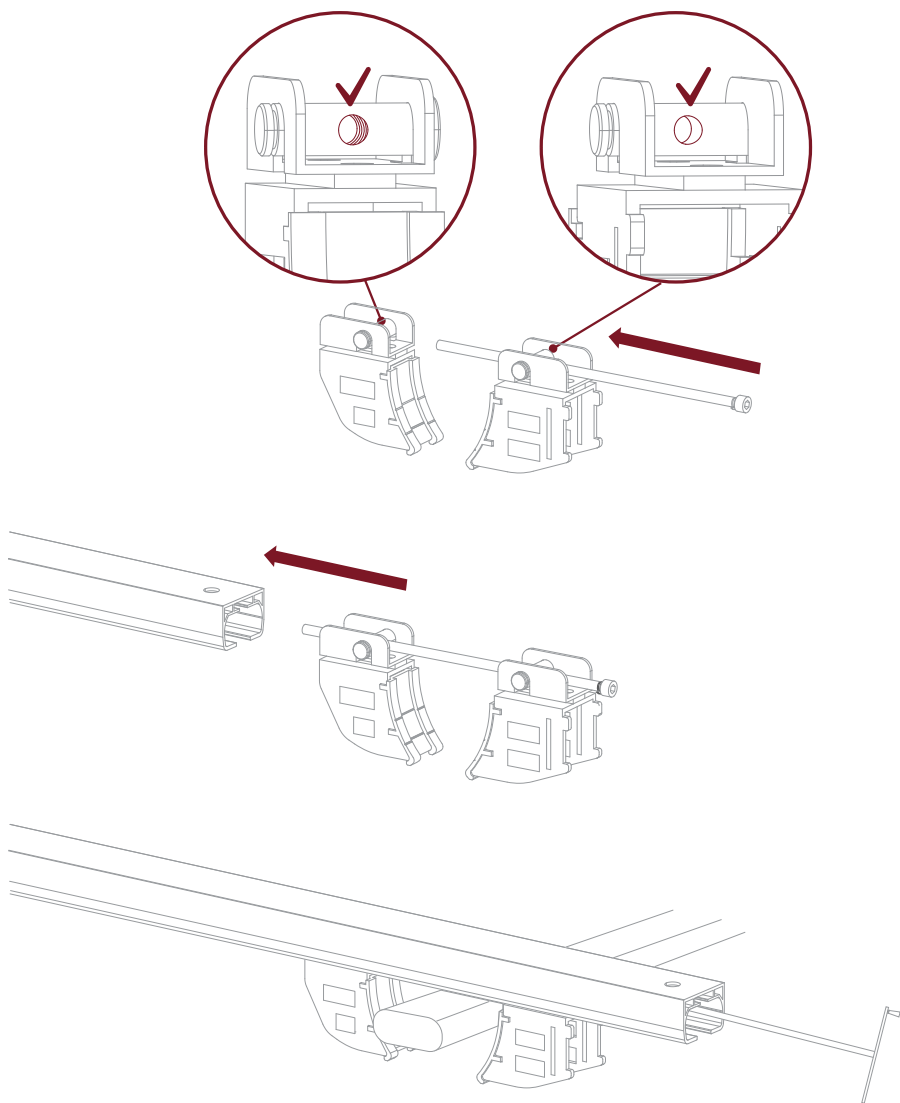


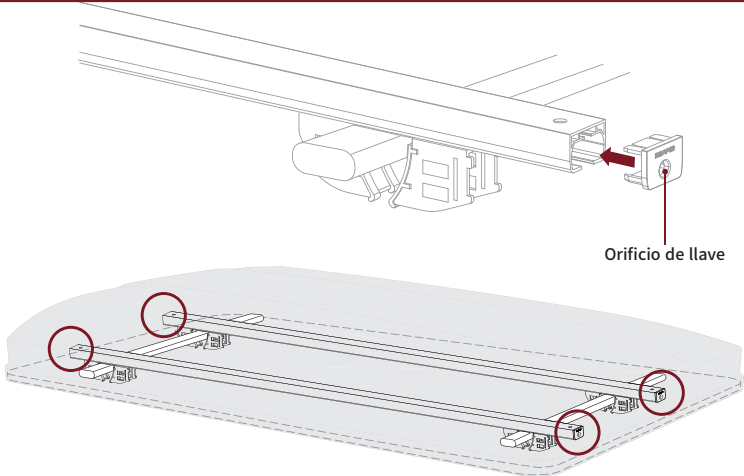
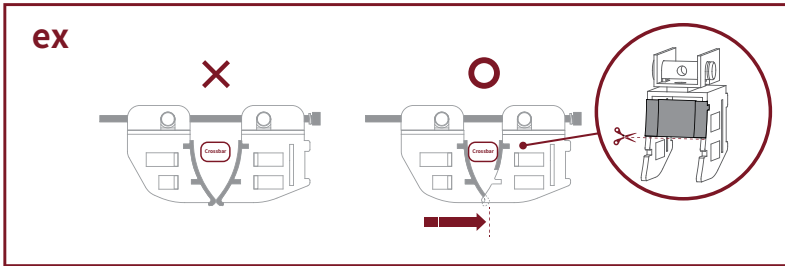
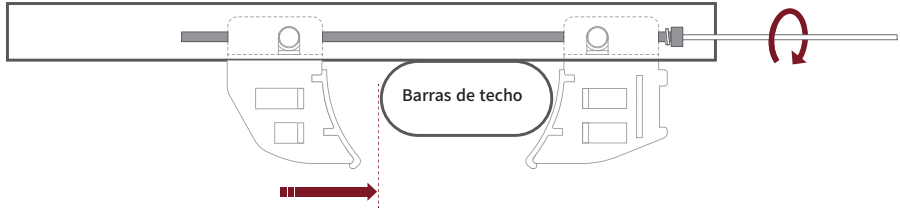
Montaje de la Skycamp DLX /DLX Mini

- 1 Levantar verticalmente la carcasa por al menos 4 puntos (si no tiene herramientas especiales para ello, como por ejemplo un elevador, realice el levantamiento con la ayuda de varios adultos).
 - 2 Asegúrese de que la Skycamp DLX / DLX Mini está centrada.
- ⚠ Precaución: Si usa un elevador, tenga cuidado de no hacer presión sobre el cofre.



Instalación de Las fijaciones





Uso

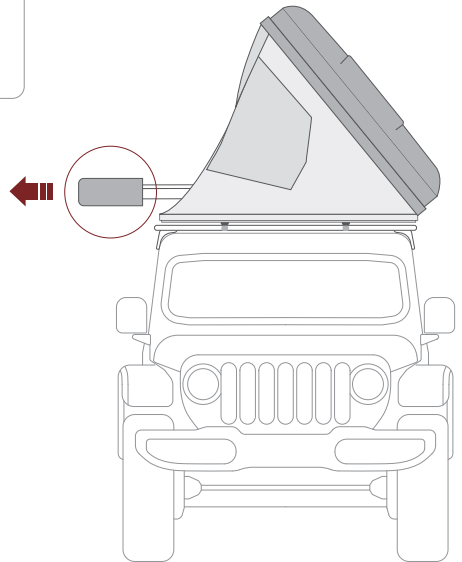
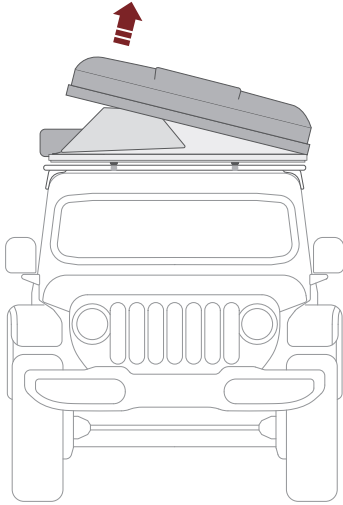


- Deje que la tienda se ventile bien antes de su primer uso.
- No instale la escalera sobre suelos con desniveles o sobre rocas, arena o barro.
- La escalera sirve de soporte para el panel de extensión de la Skycamp DLX / DLX Mini.
- Asegúrese siempre de que la escalera esté firmemente plantada sobre el suelo y de que cada peldaño esté bien trabado antes de subir por la escalera.
- El abatimiento accidental de la escalera podría resultar en lesiones graves o en daños al producto.
- Si el terreno no puede servir de base estable y llana, traslade el vehículo a otro sitio.
- Agarre los laterales de la escalera con las dos manos en todo momento.
- Suba los peldaños de uno en uno.
- Tenga cuidado de no caerse al usar la escalera.
- Tenga cuidado de no hacerse daño por la elasticidad de la varilla tensora.
- Debido a las características naturales del material, la superficie del suelo de corcho puede no ser uniforme
- Al tratarse de un suelo de corcho adherido por compresión, puede contaminarse con agua o alimentos.
- Cuando utilice el suelo de corcho, límpielo inmediatamente con un trapo seco para evitar que se filtre humedad y alimentos, y séquelo lo suficiente en un lugar fresco hasta que desaparezca la humedad.
- Debido a la naturaleza del suelo de corcho con una superficie rugosa, la superficie puede desgastarse con el tiempo, y limpiar la contaminación con una esponja con una superficie rugosa puede dañar la superficie del suelo de corcho.
- Consulte el vídeo para obtener instrucciones detalladas para la instalación.
www.ikamper.com



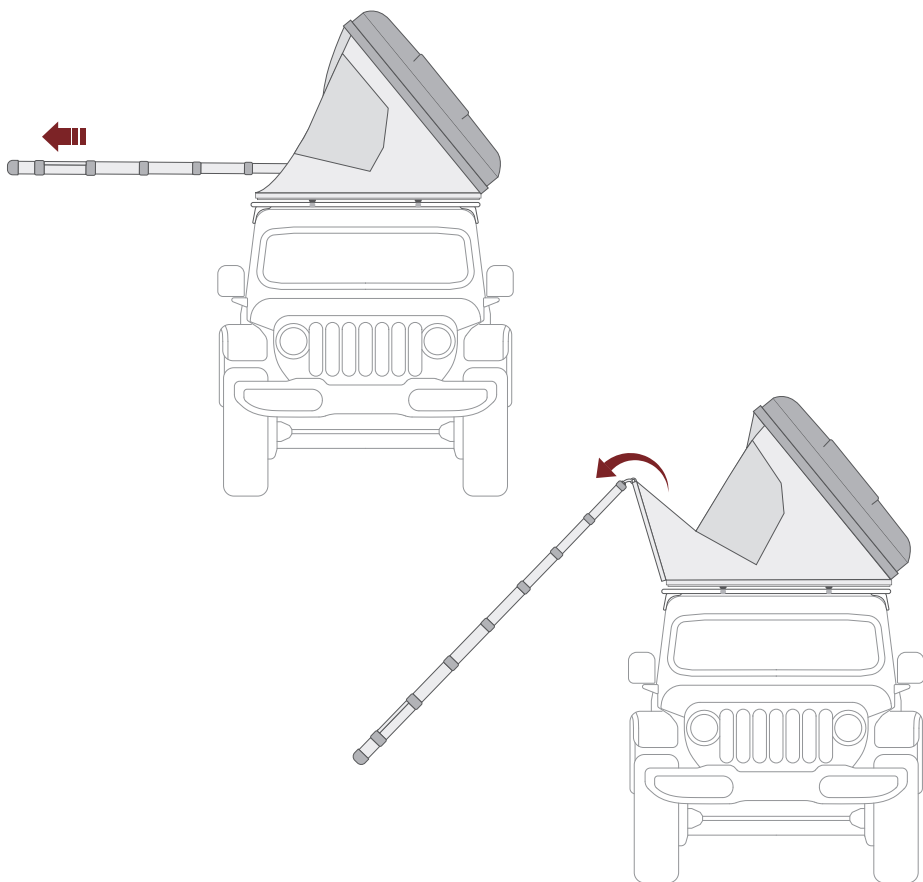
Apertura de la carcasa

- 1 Abra la cerradura de la carcasa con la llave.
- 2 Empuje la carcasa hacia arriba. Los puntales neumáticos la abrirán automáticamente.
- 3 Retire la cubierta de la escalera.



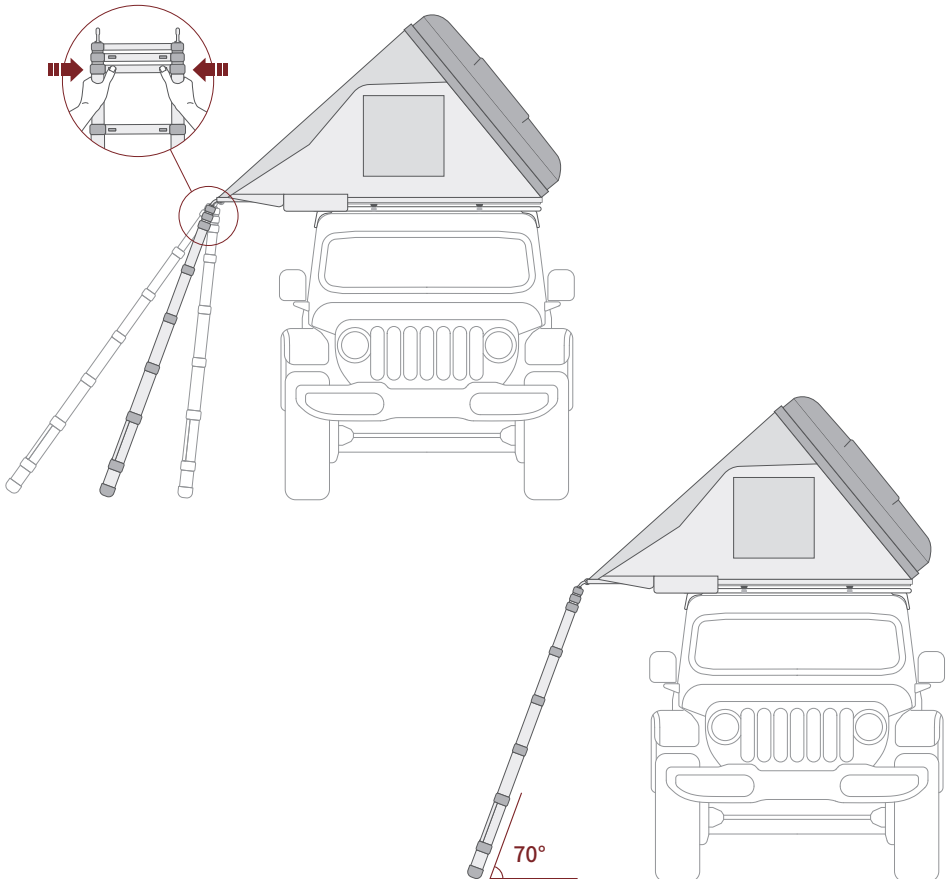
Extensión del panel

- 1 Tire de la escalera hacia usted y extiéndala completamente.
- 2 Cuando la escalera esté totalmente extendida, cada uno de los peldaños se trabará automáticamente.
- 3 Empuje la escalera hacia abajo, de modo que haga palanca y baje el suelo de extensión.



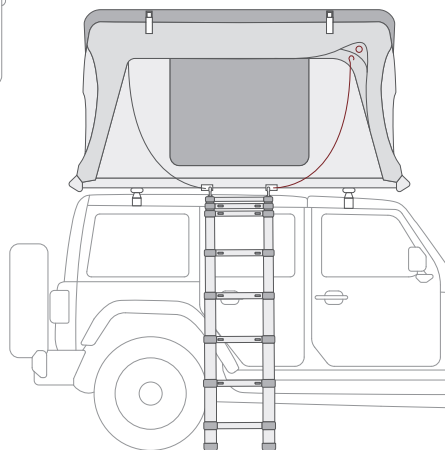
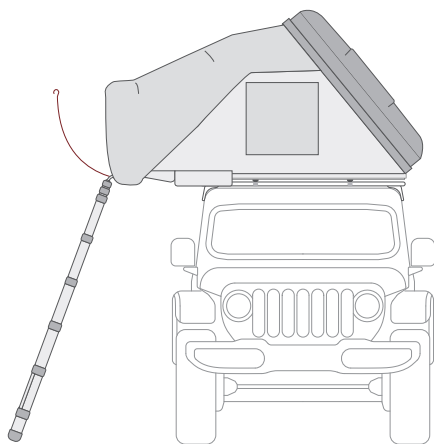
Instalación de la escalera

- 1 El panel principal (suelo) y el panel de extensión deben quedar en posición horizontal y separados por un pequeño espacio (el panel de extensión debe quedar ligeramente elevado por encima del panel principal).
- 2 Idealmente, la escalera debe formar un ángulo de unos 70 grados con el suelo.
- 3 Puede ajustar la altura de la escalera apretando con las dos manos el botón deslizante situado a los lados derecho e izquierdo de los peldaños.
- 4 Al ajustar la altura de la escalera, asegúrese de que encaje en su posición con un «clic».



Instalación del toldo

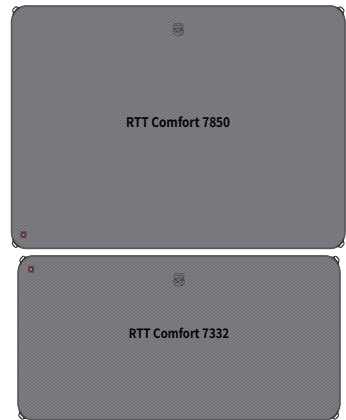
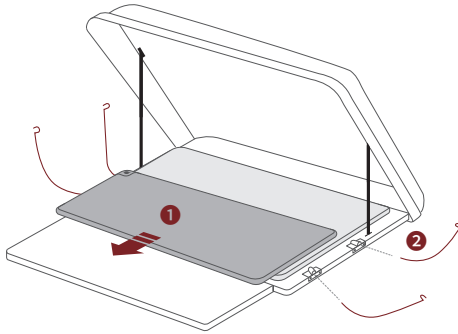
- 1 Skycamp DLX : 2 de las 6 varillas tensoras son más largas y se usan para la entrada.
Skycamp DLX Mini : 2 de las 6 varillas tensoras son más cortas y se usan para la entrada.
- 2 Inserte la varilla tensora diagonalmente en el soporte que conecta la escalera al panel de extensión. La varilla tensora debe insertarse suavemente hasta que se oiga el «clic» correspondiente.
- 3 Inserte el gancho de la varilla tensora en la arandela metálica situada en la esquina de la lona exterior.
- 4 Conecte los aros de la lona exterior al gancho por debajo del panel de extensión.



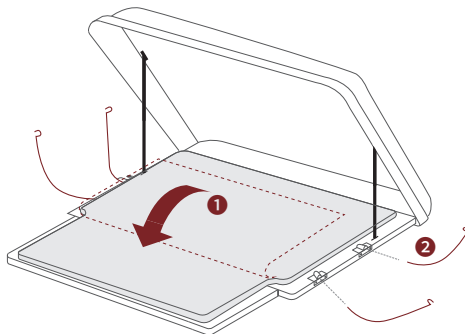
Instalación del colchón y opciones

- 1 Skycamp DLX : recoloque el RTT Comfort 7332 y ínflalo.
Skycamp DLX Mini : extienda el RTT Comfort 5082 plegado y ínflalo.
- 2 Skycamp DLX : 4 de las 6 varillas tensoras son más cortas y se usan para los toldos de las ventanas.
Skycamp DLX Mini : 4 de las 6 varillas tensoras son más largas y se usan para los toldos de las ventanas.

Skycamp **DLX**



Skycamp **DLX** Mini

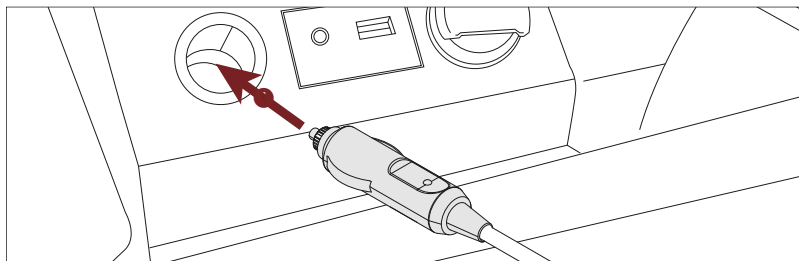


Cómo inflar utilizando el Air Down (la bomba de aire)

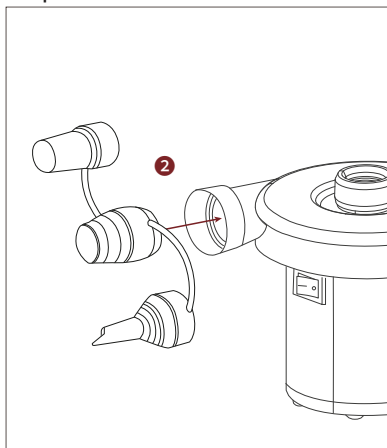
- 1 Asegúrese de utilizar DC 12V.
No utilice este producto con un banco de energía en el que la potencia permitida de conector de DC sea inferior a 100 W.
El banco de energía puede resultar dañado
Utilice este producto para productos de gran volumen/baja presión, como botes de goma y colchones de aire.
Además, tenga cuidado porque puede sobrecalentarse si utiliza el producto durante más de 20 minutos.
(Si se sobrecalienta, existe riesgo de quemaduras y daños en el producto).
- 2 Conecte el enchufe al conector de DC.
Seleccione el adaptador adecuado para el producto que desea inflar y conéctelo a la entrada de aire del colchón.
Conecte el Air Down (la bomba de aire) al producto que desea inflar, fíjela bien hasta que no se mueva y active el interruptor para inflar o desactive el interruptor para parar.
("I": interruptor activado, "O": interruptor desactivado)

- 3 Combine la entrada de aire del RTT Comfort en la dirección de [Inflate] para inflar.

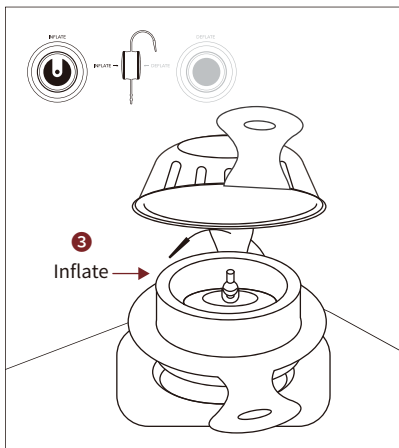
Conexiones del conector de DC 12V



Adaptador del Air Down (la bomba de aire)



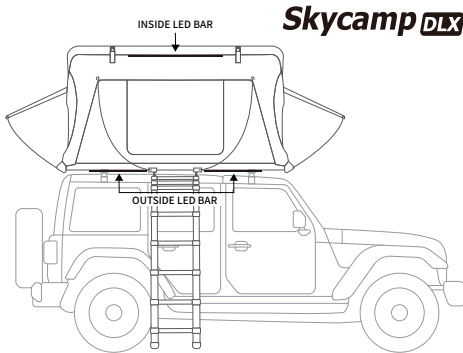
Entrada de aire del RTT Comfort



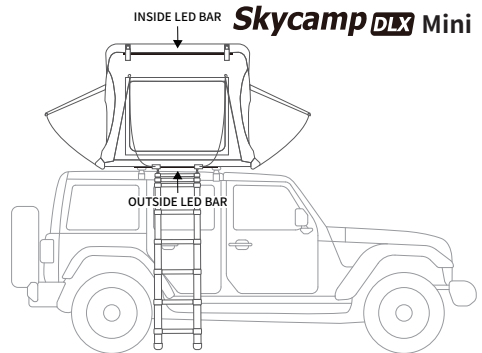
Encender el LIGHT BAR KIT

- ❶ Inserta el puerto USB en la batería auxiliar (5V DC).
- ❷ Pulse el botón de encendido del controlador del LIGHT BAR KIT para encenderlo.

Ubicación del LIGHT BAR KIT

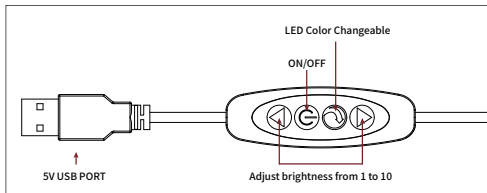


LED INTERIOR - 540lm (6W) / LED EXTERIOR-360lm X 2EA(4W X 2EA)



LED INTERIOR - 540lm (6W) / LED EXTERIOR - 450lm (5W)

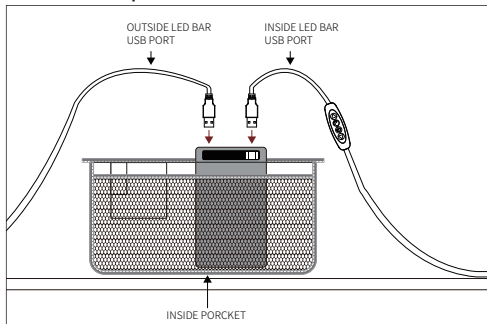
Cómo utilizar el controlador del LIGHT BAR KIT



<ESPECIFICACIONES>

- Color LED cambiabile - BLANCO, AMBAR, BLANCO & AMBAR
- Control de atenuación 1 - 10 niveles de brillo ajustable
- Voltaje de entrada : 5V DC
- Consumo de energía : 4.5 W
- Grado de resistencia al agua: IP65
- Temperatura de uso: -40 ~ +50°C

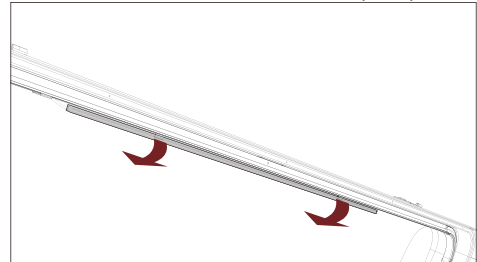
Conexión de puerto USB



- ※ Se necesitan dos puertos USB.
(Cuando se utiliza INTERIOR / EXTERIOR al mismo tiempo)
- ※ La batería auxiliar no está incluido en el producto.

Cómo desmontar el LIGHT BAR KIT

(si necesita servicio técnico o desea utilizarlo por separado)



- El LIGHT BAR KIT se puede desmontar/montar girando en el sentido de la flecha.
- El LIGHT BAR KIT tiene un imán incorporado en la parte posterior, por lo que puede fijarlo en cualquier lugar hecho de hierro.

Desmontaje

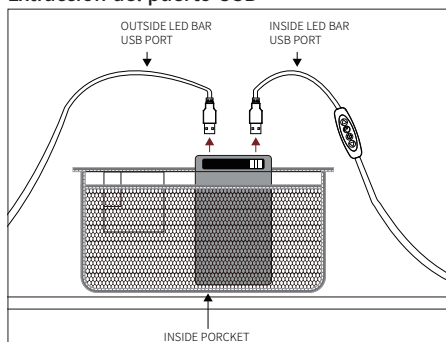


- Asegúrese de que no se ha dejado ningún objeto en la tienda.
- Pliegue la tienda después de haber dejado que se seque por completo.
- Tenga cuidado de no pillarse los dedos al abatir la escalera.
- Use la cubierta de la escalera para evitar que se decolore el vinilo del tragaluz y para mantener limpia la tienda.
- Consulte el vídeo para obtener instrucciones detalladas.

Apagar el LIGHT BAR KIT

- 1 Desconecte el puerto USB insertado de la batería auxiliar.

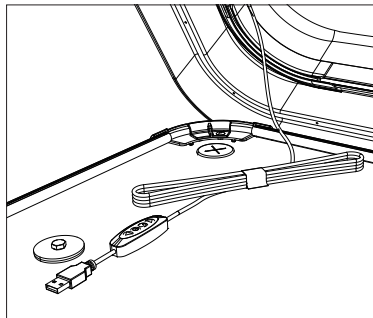
Extracción del puerto USB



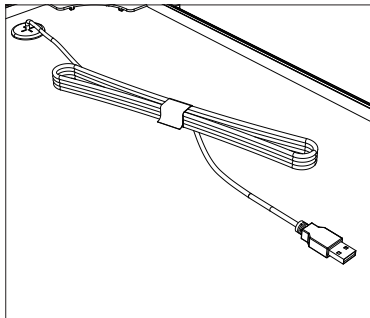
※ Cuando se desconecta el puerto USB, se apaga sin ninguna operación adicional del botón de encendido.

※ La batería auxiliar no está incluido en el producto.

INSIDE LED BAR



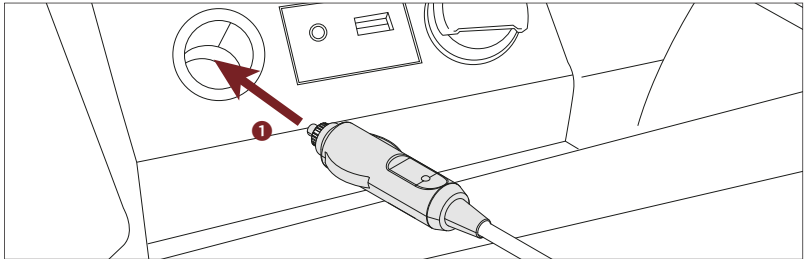
OUTSIDE LED BAR



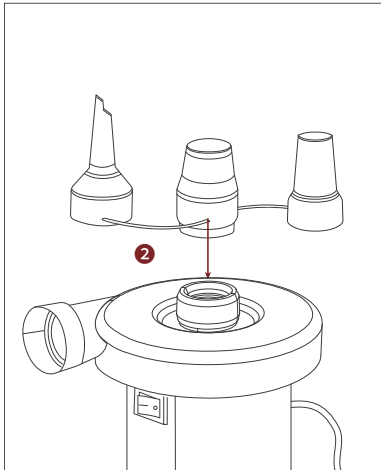
**Cómo desinflar
utilizando el
Air Down
(la bomba de aire)**

- ❶ Conecte el enchufe de alimentación al conector de DC 12V.
- ❷ Abra la válvula del producto que desea desinflar.
Conecte el Air Down (la bomba de aire) al producto que desea desinflar, fíjela bien y active el interruptor para desinflar o desactive el interruptor para parar.
("-": interruptor activado, "O": interruptor desactivado)
- ❸ Combine la salida de aire del RTT Comfort en la dirección de [Deflate] para desinflar.

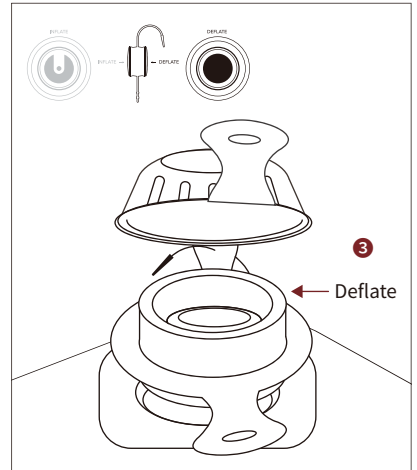
Conexiones del conector de DC 12V



Adaptador del Air Down (la bomba de aire)



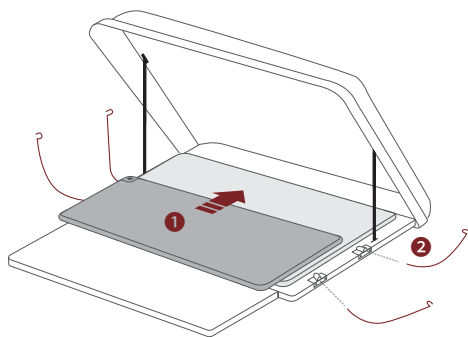
Salida de aire del RTT Comfort



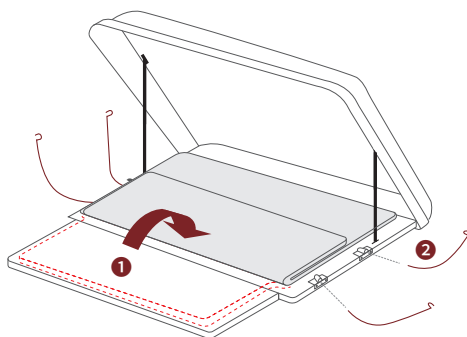
Guardado del colchón y las varillas tensoras

- 1 Skycamp DLX : coloque el Comfort 7332 encima del RTT Comfort 7850.
Skycamp DLX Mini : pliegue y organice el RTT Comfort 5082 despelegado.
※ Tenga cuidado de no dañar el producto. Pliéguelo o muévelo para que no quede atrapado en la placa de expansión.
- 2 Retire las varillas tensoras instaladas.
- 3 Cierre la cremallera de la ventana abierta, dejando un resquicio para dejar salir el aire al plegar la tienda.

Skycamp DLX

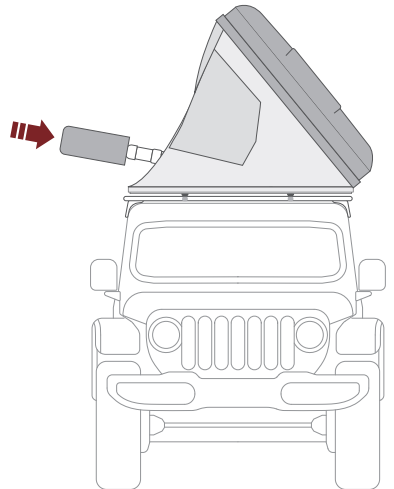
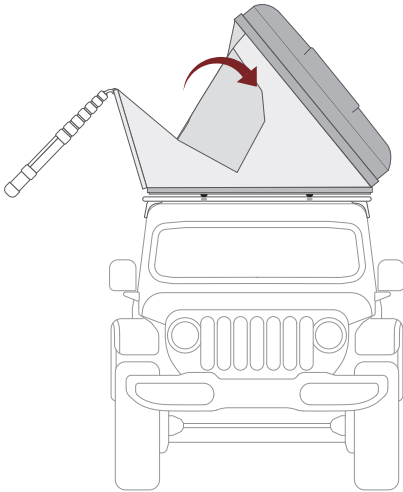


Skycamp DLX Mini



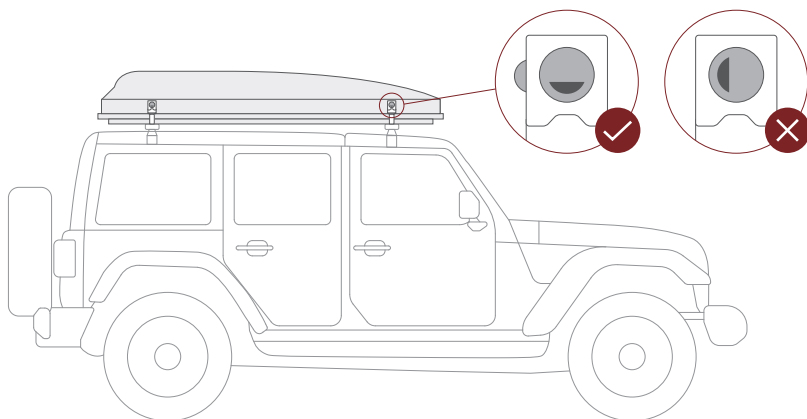
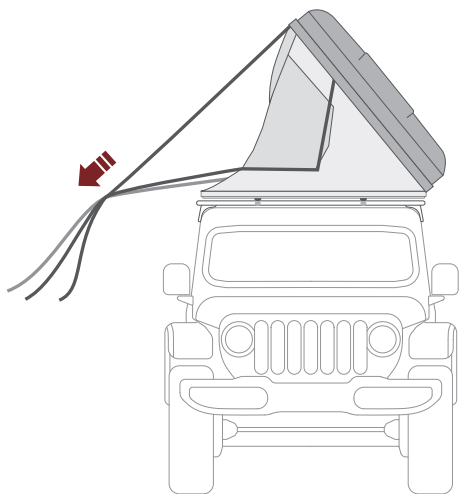
**Abatimiento
de la escalera
y plegado
del panel**

- 1 Abata la escalera de arriba a abajo.
- 2 Levante la escalera para plegar el panel de extensión.
- 3 Vuelva a poner la cubierta de la escalera.



Cierre de la carcasa

- 1 Cierre la carcasa tirando de las 3 correas.
- 2 Compruebe que el material de la tienda está bien metido dentro de la Skycamp DLX / DLX Mini por delante, por detrás y por los lados antes de cerrar.
- 3 Tire de la tapa dura hacia abajo y ciérrela con la cerradura.
- 4 Asegúrese de que los dos pestillos estén firmemente asegurados antes de poner el vehículo en marcha.



Gracias por adquirir este producto iKamper. El producto ha sido fabricado utilizando rigurosas medidas de control de calidad e inspección y tiene dos años de garantía.

2 años de garantía

Durante 2 años a partir de la fecha de compra, iKamper reparará o reemplazará (a nuestra discreción) las piezas defectuosas sin coste para el cliente si necesitan repararse debido a defectos funcionales o de rendimiento durante el uso normal del producto.

Excepciones

- Desgaste normal o imperfecciones cosméticas que se produzcan como consecuencia del uso.
- Cambios estéticos que no afectan el funcionamiento general de las tiendas de techo (decoloración de la tela, decoloración de las ventanas de vinilo, etc.).
- Si el producto es reparado o modificado arbitrariamente por el cliente.
- Daño causado por un almacenamiento o un uso negligentes.
- Decoloración de la carcasa por exposición UV o por un mal mantenimiento.

Distribuidores oficiales de iKamper

Los productos iKamper están disponibles directamente a través de nuestro sitio web o de nuestra lista creciente de asociados. Por favor, visite la ubicación más cercana a su lugar de residencia para ver productos iKamper en persona, recibir asesoramiento profesional y obtener métodos de instalación. Asegúrese de avisar antes de ir, enlever le pues no todos los locales tienen todos los modelos iKamper en sus instalaciones.

www.ikamper.com



Précautions		02
Caractéristiques	· Les éléments inclus avec la tente	04, 06
	· Fiche Technique	05, 07
Mise en place	· Vue d'ensemble	09
	· Réglage de la barre transversale	10
	· Installation de la Skycamp DLX / DLX Mini	11
	· Installation du kit de fixation	12
Utilisation	· Ouverture de la coque	15
	· Panneau d'extension	16
	· Installation de l'échelle	17
	· Mise en place de l'auvent	18
	· Installation du matelas & Options	19
	· Gonflage à l'aide d'Air Down	20
	· Allumer le KIT DE BARRES DE LUMIÈRE	21
Démontage	· Désactiver le KIT DE BARRES DE LUMIÈRE	22
	· Dégonflage à l'aide d'Air Down	23
	· Rangement du matelas & des Tiges de tension	24
	· Pliage de l'échelle & Panneau d'extension	25
	· Fermeture de la coque	26
Garantie		27

*Ce produit peut être légèrement différent du contenu et des images figurant dans ce manuel de l'utilisateur. Il a pu être modifié (évolution mineure) en vue d'en améliorer la performance.

Précautions



Les produits iKamper sont conçus pour faciliter vos activités Outdoor. Nos produits sont soumis à une inspection et à un contrôle qualité rigoureux afin de garantir la sécurité. Toutefois, les activités en plein air peuvent entraîner un certain risque d'accident, et il est important de toujours être prudent(e). Vous devez être conscients qu'une mauvaise utilisation du produit peut entraîner des dommages matériels ou corporels et provoquer des blessures graves, voire mortelles. Dans certaines circonstances, votre sécurité dépend de votre aptitude et de votre expérience. Soyez donc attentif au cadre naturel qui vous entoure et aux conditions météorologiques. Pour garantir votre sécurité, il vous est recommandé de vous familiariser avec l'utilisation du produit, de vous entraîner suffisamment à son utilisation, et de ne pas dépasser les limites de son usage. Si vous avez des questions quant à l'installation ou à l'utilisation, veuillez contacter le service technique de iKamper à support@ikamper.com.

Mise en place

- Après l'achat, veuillez vérifier que vous avez bien tous les éléments qui sont inclus avec la tente
- Veuillez suivre les instructions fournies et contacter le support technique de iKamper si vous avez besoin d'une assistance supplémentaire.
- Soyez prudent(e) lorsque vous manipulez ce produit, car il est lourd.
- Assurez-vous de bien porter des gants et des chaussures de protection.
- Si vous avez des problèmes de santé, n'essayez pas d'installer ce produit vous-même.
- La galerie de toit de certains véhicules peut ne pas être adaptée à l'installation d'une tente de toit.
- Familiarisez-vous bien avec la méthode d'installation si vous faites cela seul(e). (Voir les pages 10 à 13 ou consulter le site internet pour la vidéo d'installation)
- Si vous avez d'autres questions concernant l'installation, veuillez prendre contact avec un représentant.

Conduite

- Assurez-vous que la tente est solidement fixée avant de conduire votre véhicule. Les fixations mal sécurisées peut entraîner des accidents et/ou des dommages.
- Assurez-vous que la coque est complètement fermée et que les serrures sont bien verrouillées avant de démarrer.
- La vitesse maximum recommandée est de 110 km/h (70 miles/h).
- La vitesse du véhicule dépendra de conditions telles que le type de route, l'état de la route, le temps (vent, pluie) et les limites de vitesse.
- Évitez d'utiliser le produit autant que possible dans des conditions météorologiques extrêmes (ouragan, pluie battante, neige abondante, etc.).
- Ralentissez lorsque vous roulez sur une route accidentée ou lorsque vous passez sur des ralentisseurs.
- Pour les véhicules ayant une galerie de toit non homologuée, de résistance insuffisante ou sous-dimensionnée, il convient d'être particulièrement prudent, car la galerie de toit pourrait être endommagée pendant la conduite.
- Si vous pénétrez dans une zone de faible dégagement vertical après avoir installé la tente, soyez particulièrement prudent(e) lorsque vous conduisez, car la tente pourrait être endommagée.
- Ne conduisez pas le véhicule lorsque la tente est déployée.

Installation

- Notez que l'usage de force excessive sur le produit lors de l'installation risque de l'endommager.
- L'utilisation de produits endommagés peut conduire à des accidents. Veuillez contacter iKamper si vous pensez que votre produit est endommagé.
- Lorsque vous utilisez la tente, l'échelle sert de support. En conséquence, le client se doit d'inspecter le verrouillage de chaque marche et de s'assurer que l'échelle est stable. Si les verrouillages sont défectueux ou si l'échelle n'est pas stable lorsqu'une personne y monte, il est possible que le produit soit endommagé ou qu'une personne subisse des blessures corporelles.
- La tente doit être installée sur un sol plat et ferme, et il convient d'éviter de l'installer dans les conditions suivantes : endroits glissants où l'échelle risque d'être déplacée, tels que des surfaces en cailloux, sable, graviers, ou des plans inclinés.

Utilisation

- Ne jamais laisser des enfants seuls dans la tente.
- Faire attention à ne pas tomber lorsque vous utilisez l'échelle.
- Les marches de l'échelle peuvent être glissantes en présence de pluie, de boue, de terre et/ou de verglas.
- Ne jamais utiliser de produits inflammables à l'intérieur de la tente.
- Ne pas installer la tente près d'un feu de camp ou d'un foyer extérieur. Les braises risquent fort de faire des trous dans la toile, ce qui peut provoquer un incendie ou endommager le produit.
- La composition de la toile de tente est constituée d'un mélange de coton. Lors de fortes pluies, le tissu de la tente peut être humide. Il ne s'agit pas d'un défaut de fabrication mais d'un phénomène naturel lié aux caractéristiques de la toile en polycoton. (Pour plus d'informations, veuillez consulter le document ci-joint sur le traitement de l'étanchéité des coutures.)
- Pour des raisons de sécurité, les tentes ne doivent pas être utilisées en cas de vents forts au-delà de 37Km/h (10 m/sec, 20 nœuds).
- Éviter de l'utiliser en cas de mauvaises conditions météorologiques (ouragans, pluie battante, neige abondante, etc.).

Entretien

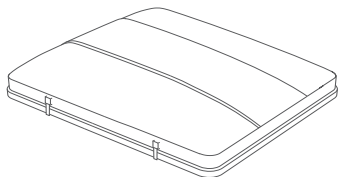
- Veuillez à garder la tente bien sèche.
- Compte tenu du fait que la tente est en toile de polycoton, il est possible - bien que rare - que de légères fuites se produisent autour des coutures lors de fortes tempêtes de pluie ou de vent.
- Pour le stockage à long terme nous vous conseillons de conserver votre produit dans un endroit sec, à l'abri de l'humidité afin de prolonger la durée de vie du produit.
- Compte tenu du fait que la tente en toile de polycoton, il est possible - bien que rare - que des légères fuites se produisent autour des coutures lors de fortes tempêtes de pluie ou de vent.
- Veuillez ôter tout produit contaminant ou toute substance étrangère qui se déposerait sur la coque ou le tissu, car cela pourrait endommager le produit.

Coque

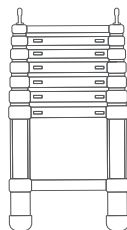
- Lorsque la coque est exposée aux éléments extérieurs pendant une durée prolongée, des dépôts de poussière, de neige, de pluie, de rosée, de minéraux etc. peuvent s'accumuler sur la surface de la coque et lui faire perdre de son brillant. Pour éviter cela, il est recommandé d'appliquer une couche de cire tous les deux mois.
- Ne pas laisser d'eau de pluie s'accumuler ou de neige fondre sur votre coque.

Caractéristiques : **Skycamp DLX**

Les éléments
inclus avec la
tente



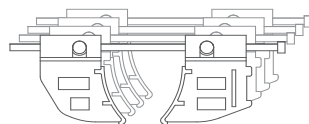
Tente × 1



Échelle × 1



Tiges de tensions × 2



Fixations × 4



Tiges de tensions × 4

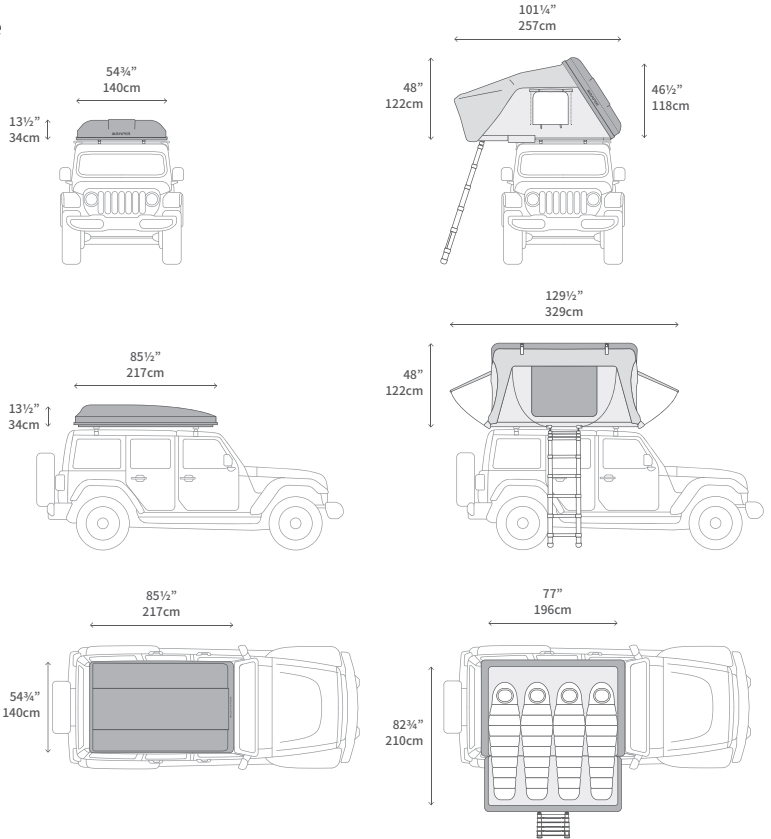


Clé de serrage × 1



Capuchon de rail × 4

Fiche Technique

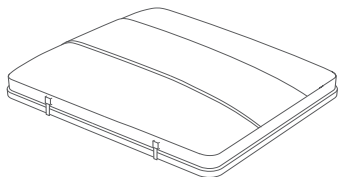


- Poids
 - Tente - 155livres, 70kg
 - Échelle - 13livres, 6kg
 - RTT Comfort - 15livres, 7kg
- Capacité
 - 900livres, 408kg
- Capacité de l'échelle
 - 330livres, 150kg
- Limitation de vitesse
 - 70mph, 110km/h
- Résistance au vent
 - 23mph, 10m/s, 20nœuds
- Coque
 - Double couche de fibre de verre renforcée FRP
- Double-toit
 - Black Polyester Rip Stop 75D avec revêtement PU, 3000mm, DWR , UV
- Toile intérieure (chambre)
 - Gris W/R 100 %, fils: T/C 20's, poids: 300 g/Sqm
- Plancher
 - liège + aluminium

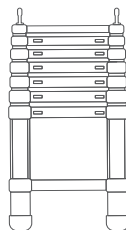
*Les mesures réelles peuvent varier d'un produit individuel à l'autre.

Caractéristiques : **Skycamp DLX** Mini

Les éléments
inclus avec la
tente



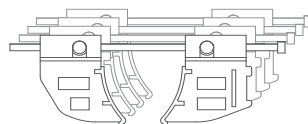
Tente × 1



Échelle × 1



Tiges de tension × 2



Fixations × 4



Tiges de tension × 4

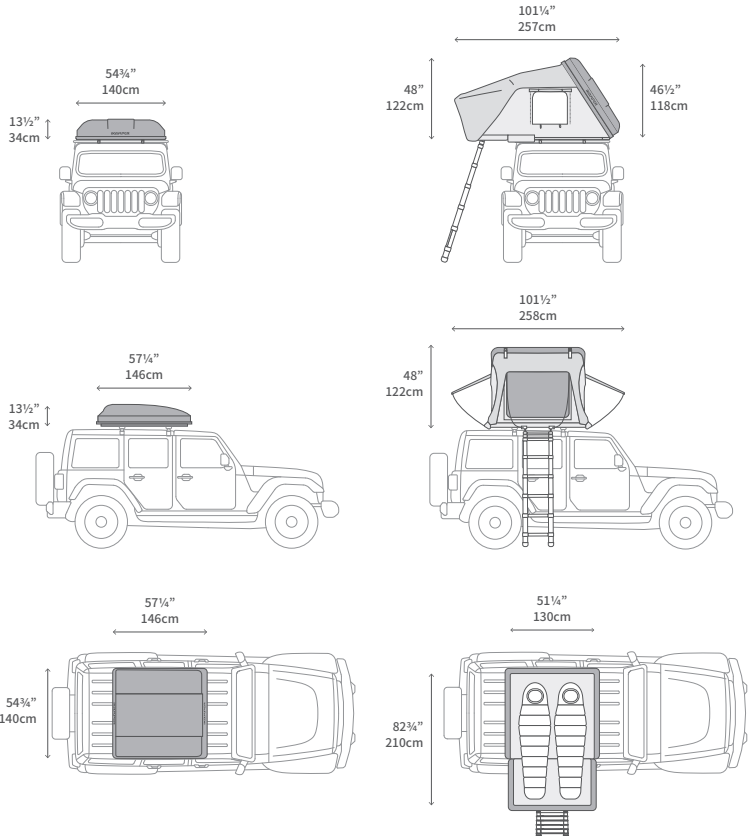


Clé de serrage × 1



Capuchon de rail × 4

Fiche Technique



- Poids
 - Tente - 110livres, 50kg
 - Échelle - 13livres, 6kg
 - RTT Comfort - 11livres, 5kg
- Capacité
 - 900 livres, 408 kg
- Capacité de l'échelle
 - 330 livres, 150 kg
- Limitation de vitesse
 - 70 miles/h, 110 km/h
- Résistance au vent
 - 37 km/h, 10 m/s, 20 nœuds
- Coque
 - Double couche de fibre de verre renforcée FRP
- Double-toit
 - Black Polyester Rip Stop 75D avec revêtement PU, 3000mm, DWR , UV
- Toile intérieure (chambre)
 - Gris W/R 100 %, fils: T/C 20's, poids: 300 g/Sqm
- Plancher
 - liège + aluminium

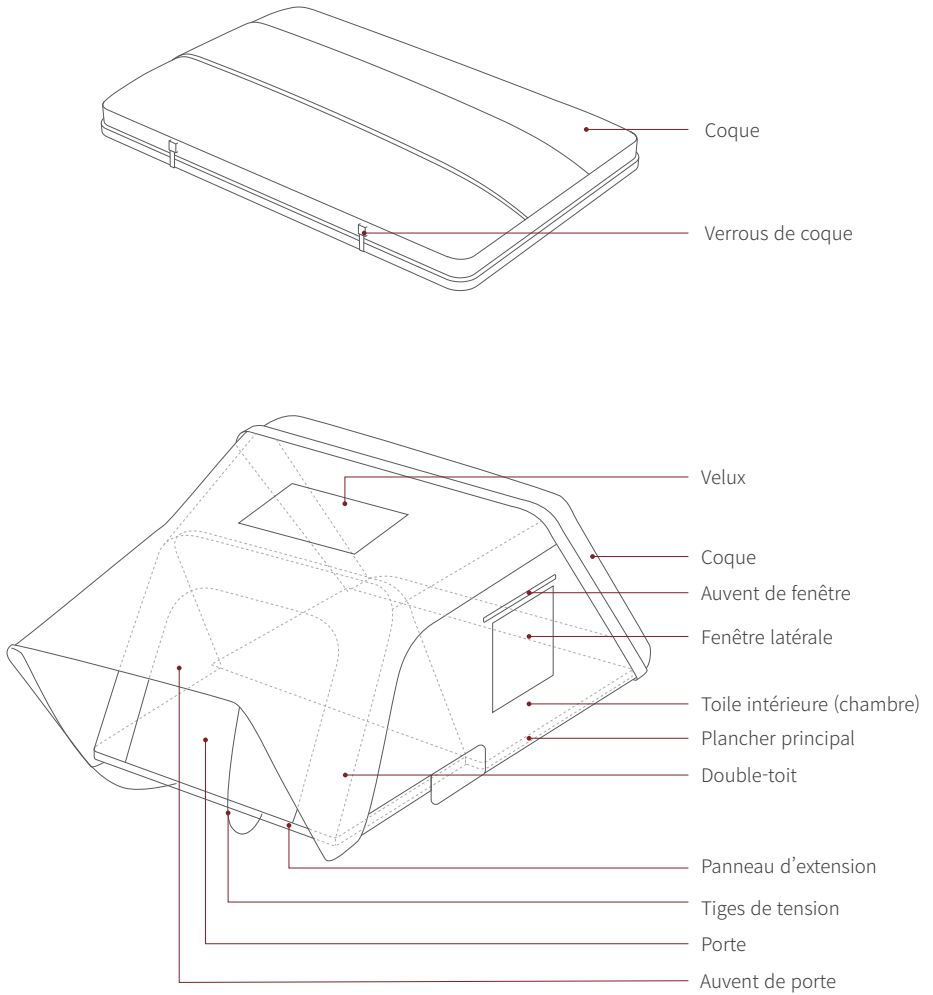
*Les mesures réelles peuvent varier d'un produit individuel à l'autre.

Mise en place



- Votre véhicule doit être équipé d'une galerie ou de barres de toit pour que la Skycamp DLX / DIX Mini puisse être installée. (Non inclus)
- Vérifiez la capacité de charge de la galerie de toit ou des barres de toit.
 - Poids de la Skycamp DLX :
Tente - 155livres, 70kg / Échelle - 13livres, 6kg / RTT Comfort - 15livres, 7kg
 - Poids de la Skycamp DLX Mini :
Tente - 110livres, 50kg / Échelle - 13livres, 6kg / RTT Comfort - 11livres, 5kg
- Pour votre sécurité, le produit doit être solidement installé à l'endroit approprié.
- Veuillez suivre les instructions fournies et contacter le support technique de iKamper si vous avez besoin d'une assistance supplémentaire.
- L'influence de facteurs extérieurs tels que des actions mécaniques, des vibrations peuvent desserrer les boulons. N'hésitez pas à vérifier de temps en temps que les fixations sont solidement fixées.

Vue d'ensemble



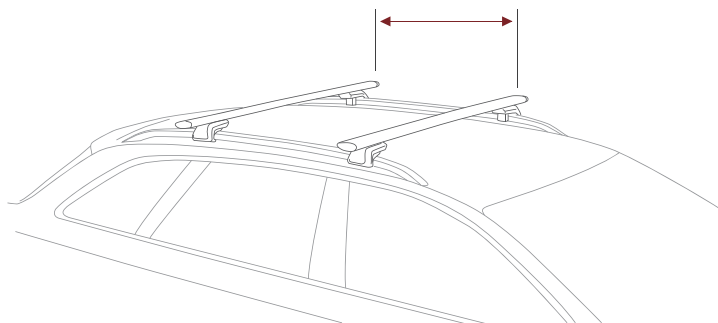
Ajustement des barres de toit

(Non inclus)

- 1 Avant d'installer la Skycamp DLX / DLX Mini, ajuster la distance entre la galerie de toit ou les barres transversales.
- 2 Assurez-vous que la galerie de toit et les barres de toit sont solidement fixées.

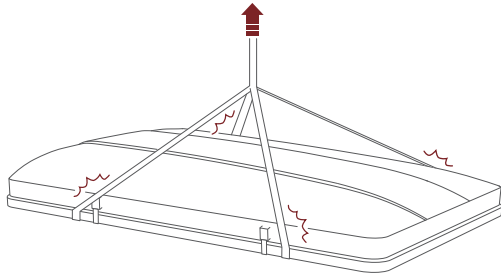
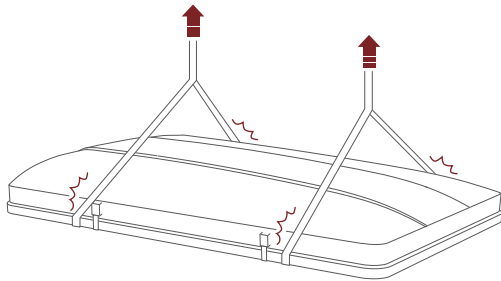
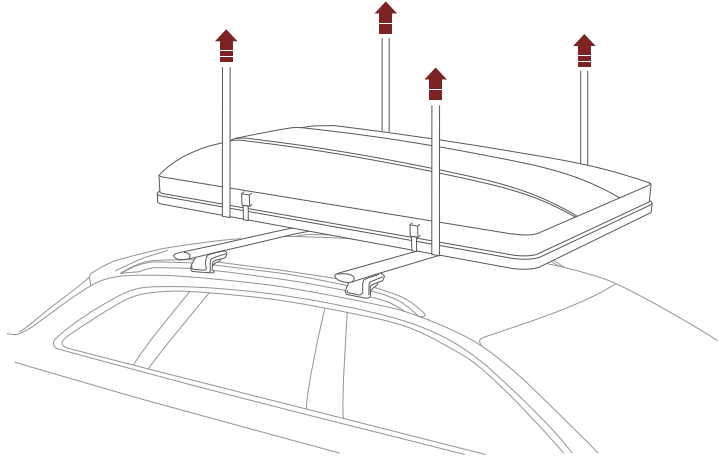
Distance minimale

- Skycamp DLX : 30", 76cm
- Skycamp DLX Mini : 22", 55cm

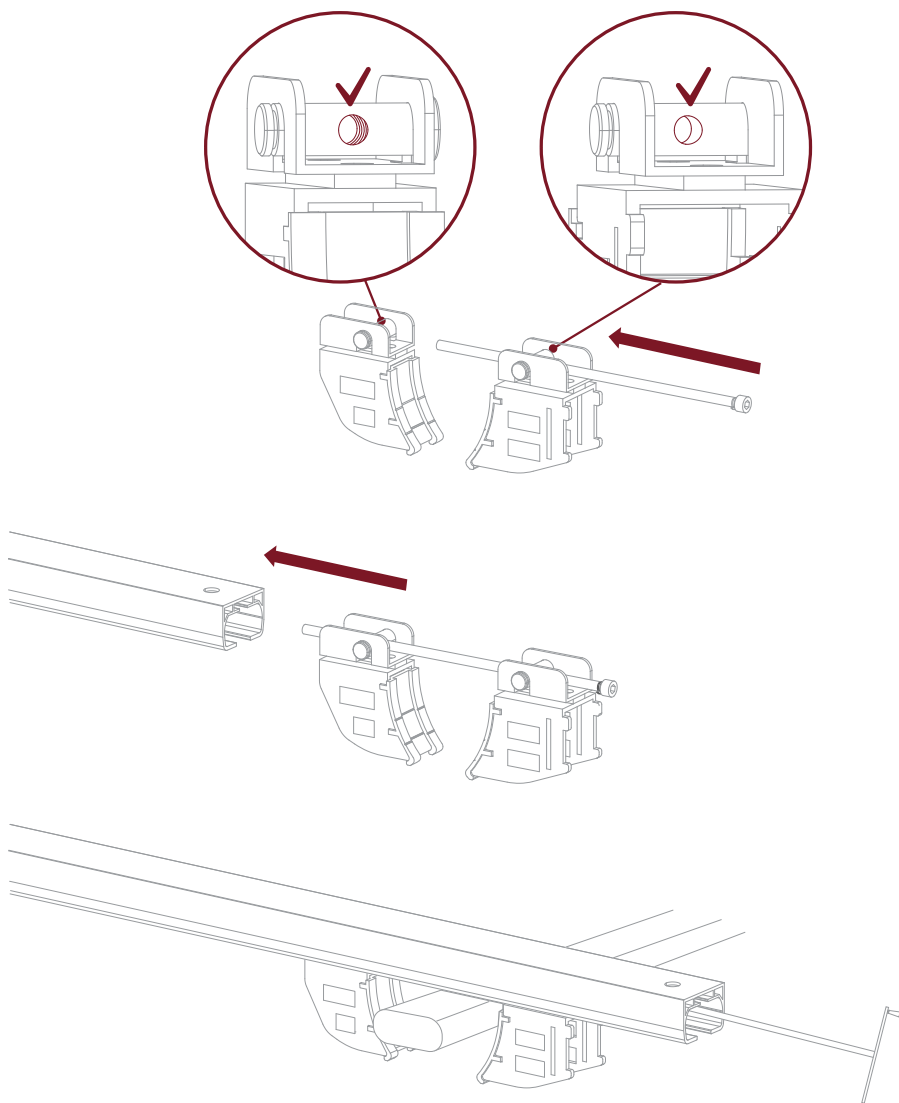


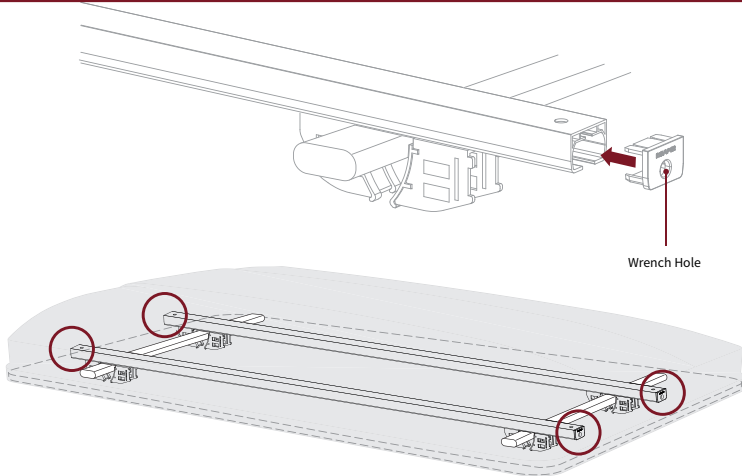
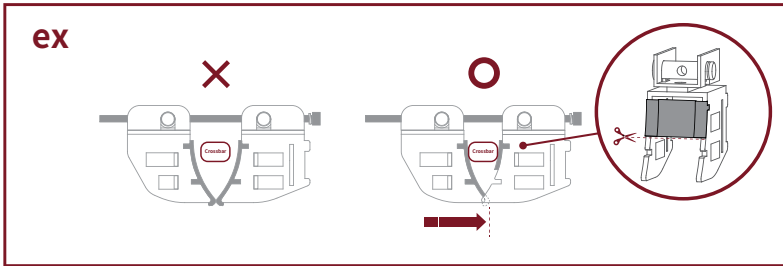
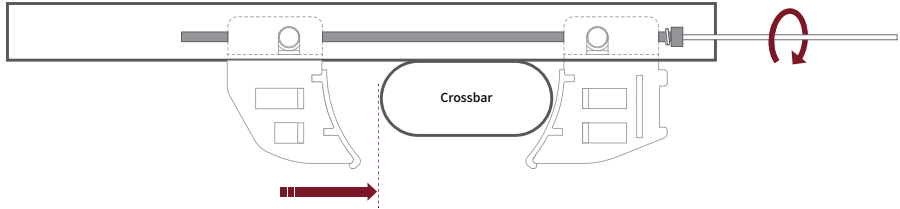
Mise en place de la Skycamp DLX / DLX Mini

- ❶ Soulevez la coque à la verticale en 4 endroits au moins (si vous n'avez pas d'équipement spécialisé tel qu'un élévateur, travaillez à plusieurs adultes.)
 - ❷ Assurez-vous que la Skycamp DLX / DLX Mini est centrée.
- ⚠ Avertissement : Si vous utilisez un élévateur, prenez garde de ne pas appuyer sur la coque.



Installation du Kit de fixation





Utilisation

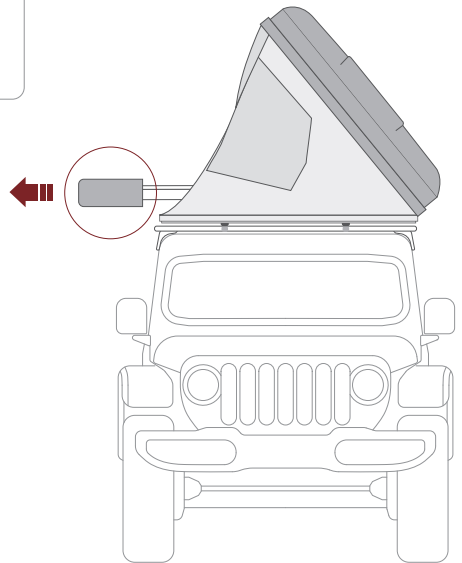
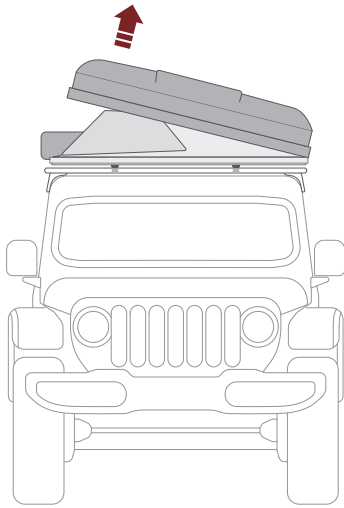


- Bien aérer la tente avant la première utilisation.
- Ne pas installer l'échelle sur un sol accidenté, ou sur des cailloux, du sable ou de la boue.
- L'échelle sert de support au Panneau d'extension de la Skycamp DLX / DLX Mini.
- Assurez-vous que les Sabots de l'échelle reposent parfaitement sur le sol et que chaque marche est solidement verrouillée avant de monter dessus.
- Un pliage accidentel de l'échelle peut provoquer des blessures graves ou endommager le produit.
- Si le terrain ne vous permet pas d'avoir une base stable et au plat pour l'échelle, déplacez votre véhicule.
- Tenez les deux montants de l'échelle avec les deux mains pour toute manipulation.
- Ne sautez pas de marche.
- Faites attention à ne pas tomber lorsque vous utilisez l'échelle.
- Prenez garde à l'élasticité des Tiges de tension pour ne pas vous faire mal.
- En raison des propriétés du sol en liège fabriqué avec des matériaux naturels, la surface peut ne pas être uniforme.
- Le bois de liège a été compressé et fixé sur le sol, de sorte que l'eau ou les aliments peuvent provoquer des taches.
- Lorsque vous utilisez des sols en liège, essuyez immédiatement l'eau ou les aliments renversés afin d'éviter qu'ils ne s'infiltrent dans le sol, et séchez jusqu'à ce qu'il n'y ait plus d'humidité dans un endroit bien ventilé.
- La surface en liège peut se détacher du au plancher en alu qui est lisse.
- Faites preuve de prudence, car l'utilisation d'éponges sur des surfaces rugueuses peut endommager la surface du sol.
- Veuillez consulter la vidéo pour des instructions d'installation détaillées.
www.ikamper.com



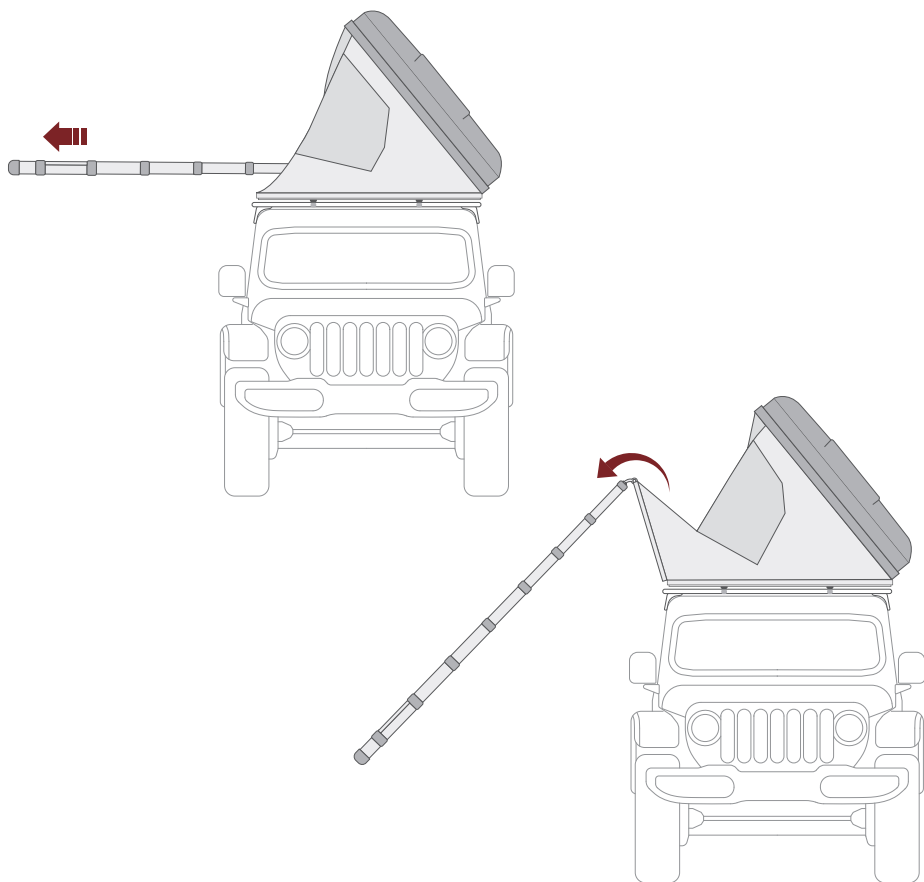
Ouverture de la coque

- 1 Déverrouillez le loquet de la coque avec la clé.
- 2 Soulevez la coque. Les vérins à gaz permettront à la coque de s'ouvrir d'elle-même.
- 3 Enlevez la housse de l'échelle.



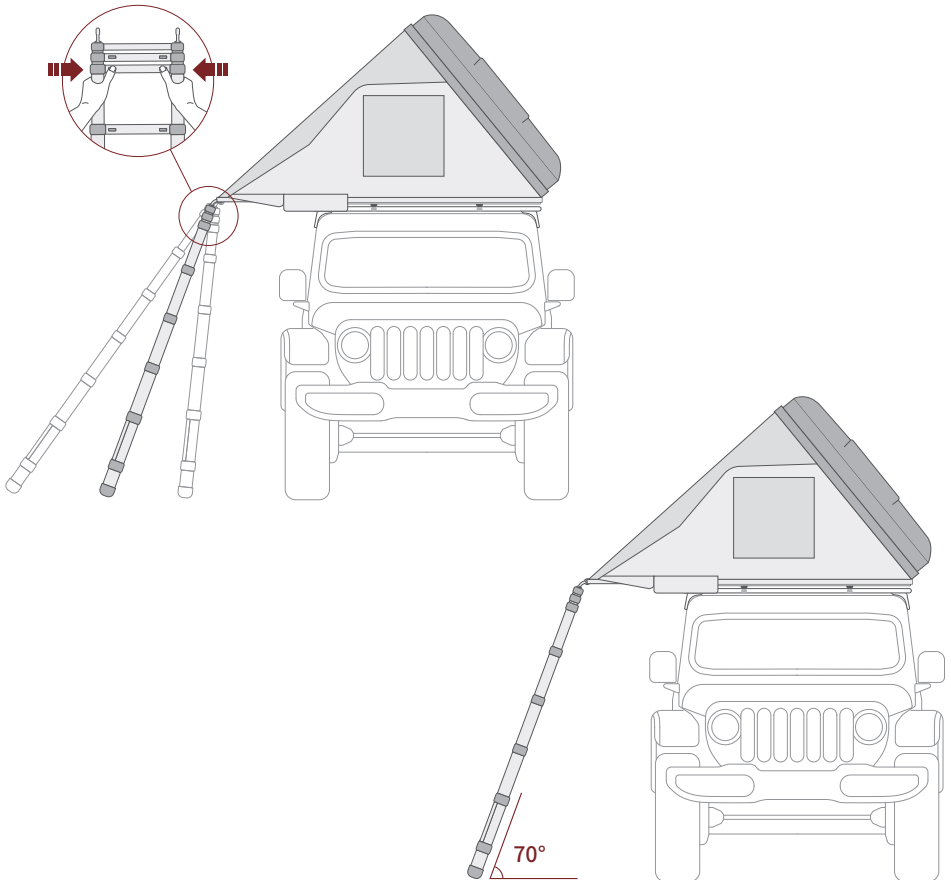
Plancher d'extension

- 1 Tirez l'échelle vers vous afin de lui permettre de se déployer complètement.
- 2 Lorsque l'échelle est totalement déployée, chaque marche se verrouillera automatiquement.
- 3 Appuyez vers le bas sur l'échelle puisqu'elle sert de levier et abaisse le Panneau d'extension.



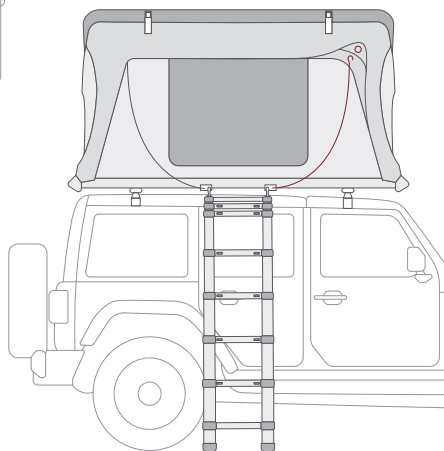
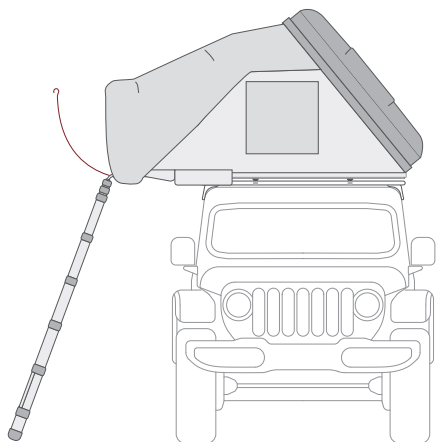
Installation de l'échelle

- ❶ Le plancher principal (sol) et le Panneau d'extension doivent être à l'horizontale, avec un petit espace entre les deux planchers (le Panneau d'extension doit être légèrement surélevé par rapport au plancher principal).
- ❷ L'angle optimal entre l'axe de l'échelle et le sol est d'environ 70 degrés.
- ❸ La hauteur de l'échelle peut être ajustée en appuyant sur le bouton latéral des montants droit et gauche des marches avec les deux mains.
- ❹ Lorsque vous ajustez la hauteur de l'échelle, assurez-vous qu'un « clic » confirme qu'elle est solidement verrouillée.



Mise en place du auvent

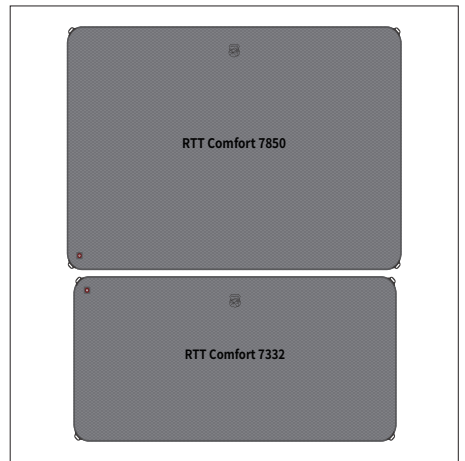
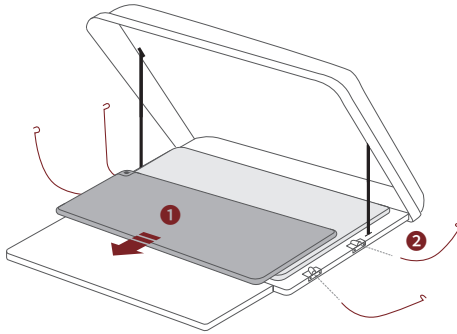
- 1 Skycamp DLX : 2 des 6 Tiges de tension sont plus longs et sont utilisés pour l'entrée.
Skycamp DLX Mini : 2 des 6 Tiges de tension sont plus courts et sont utilisés pour l'entrée.
- 2 Insérez la tige de tension à la diagonale dans le support de fixation qui relie l'échelle au plancher d'extension. Le piquet de tension doit être inséré doucement jusqu'à ce que vous entendiez un « clic ».
- 3 Insérez le crochet Des tiges de tension dans l'œillet au coin du double-toit.
- 4 Connectez les boucles du double-toit au crochet sous le Panneau d'extension.



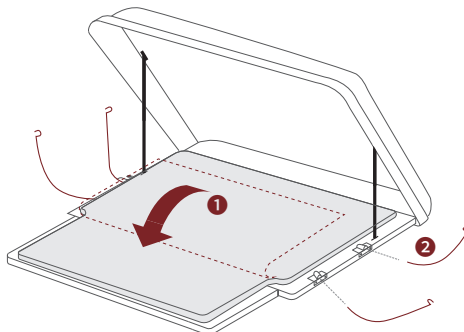
Installation du matelas & Options

- ❶ Skycamp DLX : repositionnez le RTT Comfort 7332 et gonflez-le.
Skycamp DLX Mini : déployez le RTT Comfort 5082 plié et gonflez-le.
- ❷ Skycamp DLX : 4 des 6 Tiges de tension sont plus courts et sont utilisés pour les auvents de fenêtre.
Skycamp DLX Mini : 4 des 6 Tiges de tension sont plus longs et sont utilisés pour les auvents de fenêtre.

Skycamp **DLX**



Skycamp **DLX** Mini



Comment gonfler à l'aide d'Air Down

- 1 Utilisez toujours une tension continue de 12 V.

N'utilisez pas ce produit avec des Bornes d'alimentation dont la tension de prise de courant continu autorisée est inférieure à 100 W.

Vous risqueriez d'endommager la Borne d'alimentation.

Utilisez ce produit pour des produits de grande capacité/basse tension tels que les bateaux en caoutchouc et les matelas pneumatiques.

En outre, veuillez faire preuve de prudence, car l'utilisation de ce produit pendant plus de 20 minutes en continu peut entraîner une surchauffe.

(Il y a un risque d'incendie ou d'endommagement du produit en cas de surchauffe.)

- 2 Branchez le câble d'alimentation à la prise de courant.

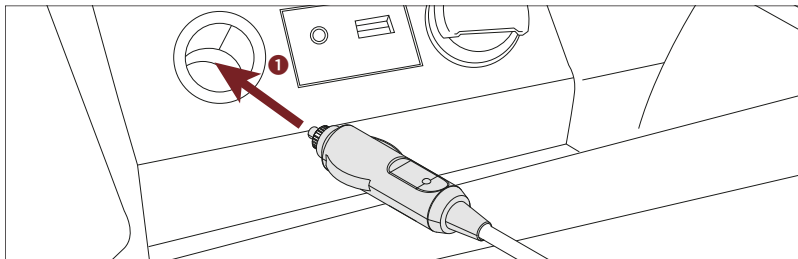
Sélectionnez un adaptateur approprié pour le produit à gonfler avec de l'air et connectez-le à l'entrée d'air du matelas.

Connectez Air Down au produit que vous souhaitez gonfler et fixez-le pour éviter qu'il ne bouge. Ensuite, activez ou désactivez l'interrupteur pour commencer ou arrêter l'injection d'air.

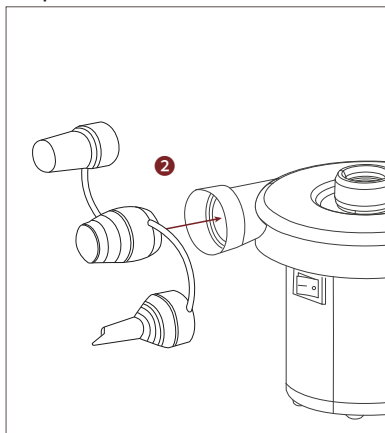
(« - » : interrupteur activé, « O » : interrupteur désactivé)

- 3 Placez l'entrée d'air du RTT Comfort dans le sens « Gonflage » pour le gonfler.

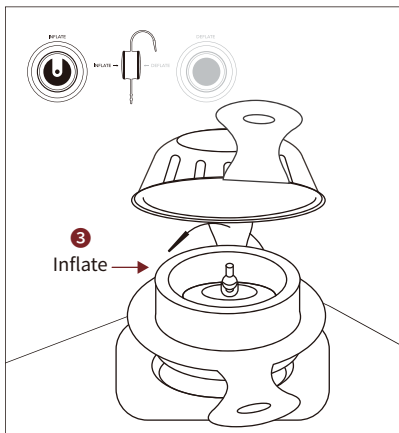
Prise de 12 V de CC



Adaptateur Air Down



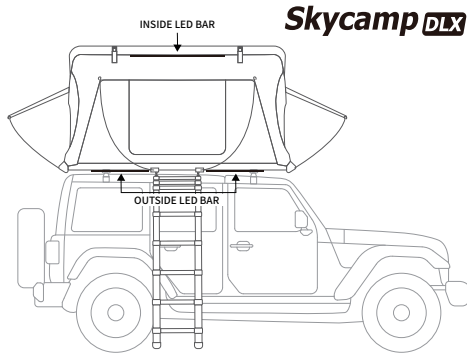
Entrée d'air RTT Comfort



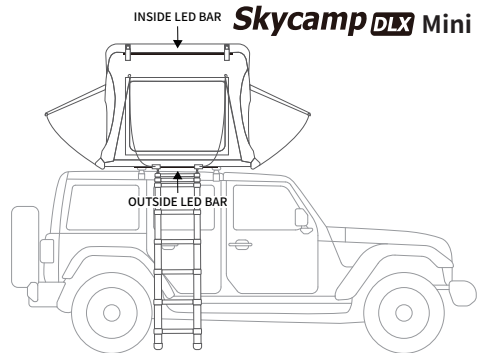
Allumer le KIT DE BARRES DE LUMIÈRE

- 1 Connectez le port USB à la batterie portable (utilisez une tension continue de 5 V).
- 2 Appuyez sur le bouton d'alimentation du contrôleur du KIT BARRE DE LUMIÈRE pour l'allumer.

Emplacement du KIT DE BARRES DE LUMIÈRE

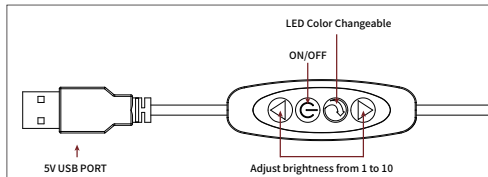


DEL INTÉRIEURE : 540 lm (6 W)/DEL EXTÉRIEURE : 360 lm x 2 EA (4 W x 2 EA)



DEL INTÉRIEURE : 540 lm (6 W)/DEL EXTÉRIEURE : 450 lm (5 W)

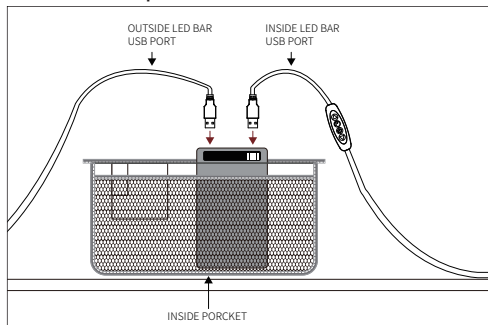
Comment utiliser le contrôleur du KIT DE BARRES DE LUMIÈRE



<SPEC>

Couleur de la DEL modifiable : BLANC et AMBRE et BLANC AMBRE
 Réglez la luminosité de 1 à 10 à l'aide du contrôleur de gradation.
 Tension d'entrée : 5 V de CC
 Consommation électrique : 4,5 W
 Degré d'étanchéité : IP65
 Température d'utilisation : -40 °C ~ +50 °C

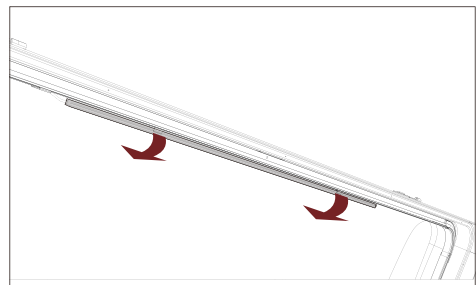
Connexion du port USB



※ Nécessite deux ports USB (en cas d'utilisation simultanée à l'intérieur et à l'extérieur)

※ Pile portable non incluse.

Comment attacher/détacher le KIT DE BARRES DE LUMIÈRE (pour l'entretien ou l'utilisation séparée)



Le produit peut être détaché/attaché en tournant la barre lumineuse dans le sens de la flèche.

Un aimant est intégré à l'arrière de la barre lumineuse, ce qui permet de la fixer sur n'importe quel matériau métallique.

Démontage

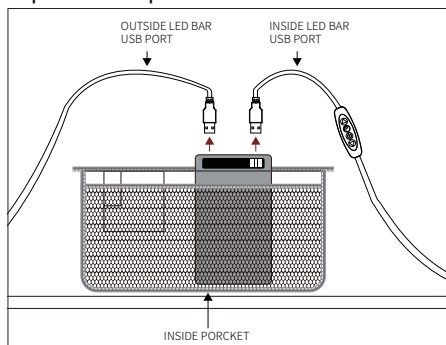


- Assurez-vous que plus rien ne reste à l'intérieur de la tente.
- Pliez la tente après l'avoir laissée sécher complètement.
- Faites attention à ne pas vous pincer les doigts lorsque vous pliez l'échelle.
- Assurez-vous de bien utiliser la housse de l'échelle afin d'éviter une décoloration du vinyle du velux et pour que la tente reste propre.
- Veuillez consulter la vidéo pour des instructions détaillées.

Désactiver le KIT DE BARRES DE LUMIÈRE

- 1 Séparez le port USB inséré de la batterie portable.

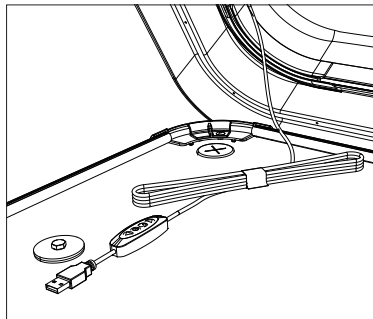
Séparation du port USB



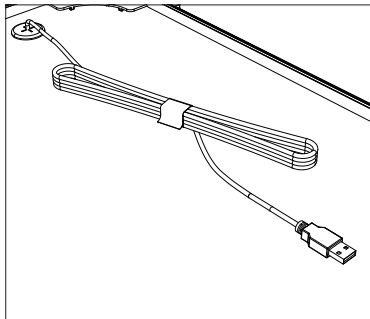
※ Lorsque le port USB est séparé, l'appareil s'éteint même si vous n'appuyez pas sur le bouton d'alimentation.

※ La batterie portable n'est pas incluse.

INSIDE LED BAR



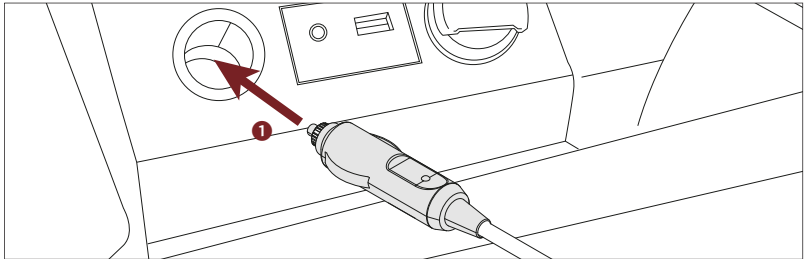
OUTSIDE LED BAR



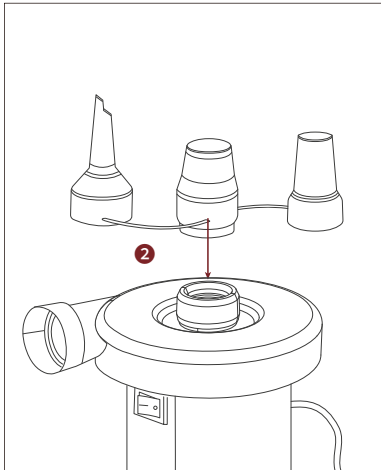
Dégonflage à l'aide d'Air Down

- ❶ Branchez le câble d'alimentation sur la prise de courant continu de 12 V.
- ❷ Ouvrez la valve du produit que vous souhaitez dégonfler. Connectez l'Air Down au produit que vous souhaitez dégonfler et fixez-le pour l'empêcher de bouger. Ensuite, activez ou désactivez l'interrupteur pour commencer ou arrêter le dégonflage.
(« - » : interrupteur activé, « O » : interrupteur désactivé)
- ❸ Mettez la sortie d'air du RTT Comfort dans le sens « Dégonfler » pour le dégonfler.

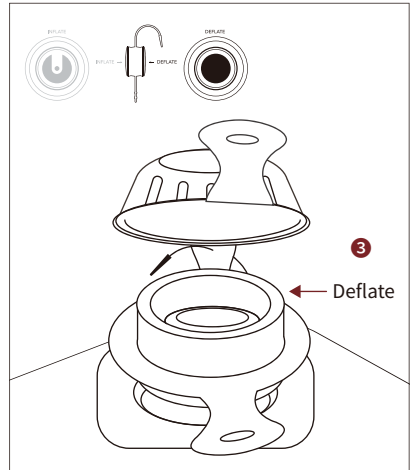
Prise de 12 V de CC



Adaptateur Air Down



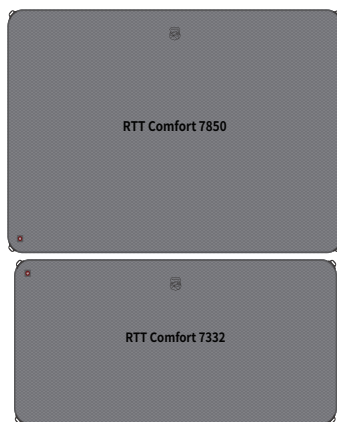
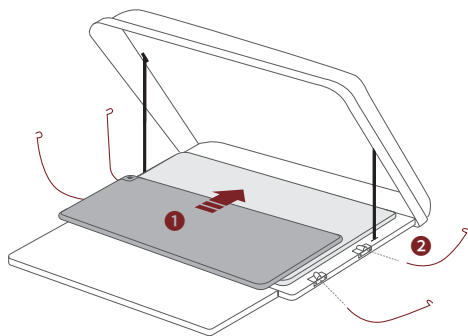
Sortie d'air RTT Comfort



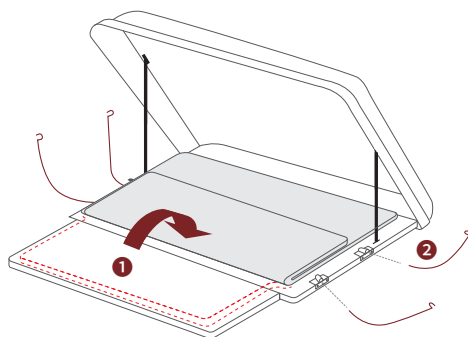
Ranger le matelas & les Tiges de tension

- 1 SSkycamp DLX : placez le RTT Comfort 7332 sur le RTT Comfort 7850.
Skycamp DLX Mini : pliez le RTT Comfort 5082 déplié pour le ranger.
※ Prenez des précautions contre les dommages en le pliant ou en le déplaçant de manière à ce qu'il ne se prenne pas dans le panneau d'extension.
- 2 Enlevez les Tiges de tension.
- 3 Fermez la fermeture à glissière de la fenêtre ouverte, mais laissez-la légèrement ouverte pour que l'air puisse s'échapper lors du pliage de la tente.

Skycamp DLX

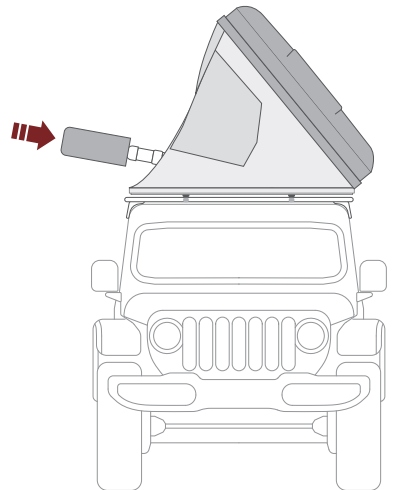
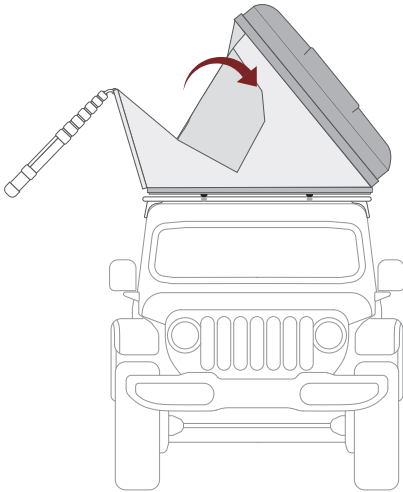


Skycamp DLX Mini



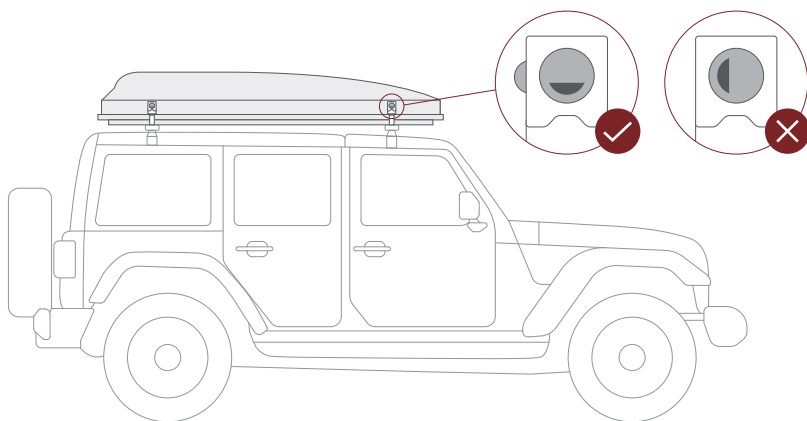
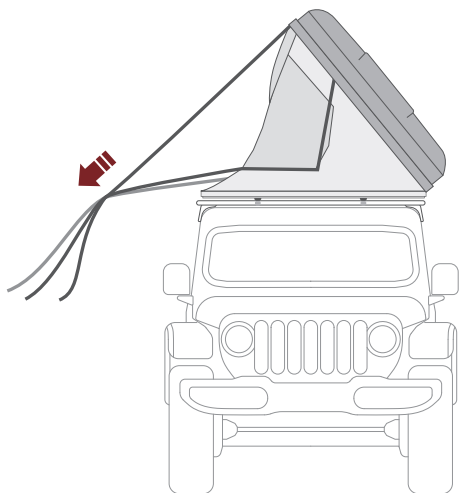
**Rangement
de l'échelle &
Panneau
d'extension**

- ❶ Pliez l'échelle du haut vers le bas.
- ❷ Soulevez l'échelle afin de plier le panneau d'extension.
- ❸ Remettez la housse de l'échelle.



Fermeture de la coque

- 1 Fermer la coque en tirant sur les 3 sangles.
- 2 Assurez-vous que le tissu de tente soit bien rentré dans la coque de la Skycamp DLX / DLX Mini à l'avant, à l'arrière et sur les côtés avant de la refermer complètement.
- 3 Abaissez la coque rigide et verrouillez le dispositif de verrouillage.
- 4 Assurez-vous que les deux loquets soit bien verrouillés avant de prendre la route.



Merci d'avoir acheté ce produit iKamper. Il est soumis à une inspection et à un contrôle qualité rigoureux et est garanti pour une période de deux ans.

Garantie de 2 ans

Pendant 2 ans à partir de la date d'achat, iKamper réparera ou remplacera (à sa discrétion) les pièces défectueuses sans frais pour le client, si une réparation est nécessaire en cas de défaut de conformité ou de fonctionnement lors d'une utilisation normale du produit.

Exceptions

- Usure normale ou imperfections superficielles résultant de l'utilisation.
- Changements esthétiques qui n'empêchent pas le bon fonctionnement des tentes de toit. (décoloration du tissu, décoloration du vinyle des fenêtres, etc.)
- Si le produit a été réparé ou modifié volontairement par le client.
- Dommages causés par un usage et un stockage peu méticuleux.
- Décoloration de la coque due à une exposition aux rayons UV ou à un mauvais entretien.

Distributeurs officiels iKamper

Les produits iKamper sont disponibles à l'achat directement sur notre site Internet ou auprès de notre liste de revendeurs de plus en plus nombreux. Si vous souhaitez voir les produits iKamper physiquement, obtenir l'avis de professionnels ou une installation. Vous pouvez retrouver la liste des points de vente sur notre site internet. Il est fortement recommandé de fixer un rendez-vous par téléphone au préalable, car tous les produits iKamper ne sont pas forcément exposés chez chaque distributeur.

www.ikamper.com



