

Installation Instruction

LED Troffer

IMPORTANT

- ⦿ Read Carefully before installing the fixture. Keep these instructions for future reference.
- ⦿ Thoroughly inspect the fixture for any freight damage; Freight damage should be reported to delivery carrier.
- ⦿ The fixtures must be wired in accordance with the National Electrical Code and all applicable local codes. Proper grounding is required for safety.
- ⦿ This product **MUST** be installed in accordance with the applicable installation code by an electrician familiar with the construction and operation of the product.

WARNING

- ⦿ **RISK OF ELECTRIC SHOCK:** Make sure power supply is OFF before installing or cleaning fixture. No user serviceable parts inside. Do NOT use the fixture within high humidity conditions. Keep away from flammable and explosive environment. Do NOT cover the fixture with insulation liner or similar material.
- ⦿ Do NOT install where the fixture is loose or only partially supported.
- ⦿ Do NOT impact or exert pressure on the fixture surface face or rear, as damage might occur.
- ⦿ Suggested minimum clearance is 211mm after installation.

MOUNTING

T-BAR CEILING MOUNTING

STEP 1:

Install the four T-Bar clips onto the mounting bracket on the outside of the housing. See image:

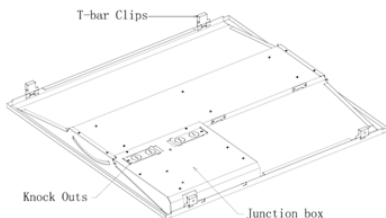
STEP 2:

Put the troffer into the T-Bar Ceiling panel and attach the clips on the housing onto the T-Bar

STEP 3:

Wiring and grounding correctly according to the wire schematic

Ceiling Type : Suspended Ceiling



HOOK INSTALLATION

STEP 1:

Fold the hook up with 90° make it perpendicular to the Troffer.

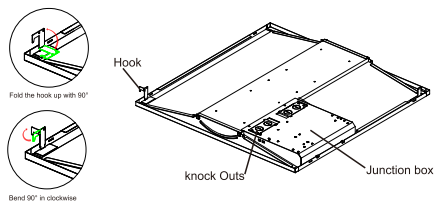
STEP 2:

Bend the end of the hook to the right with 90°

STEP 3:

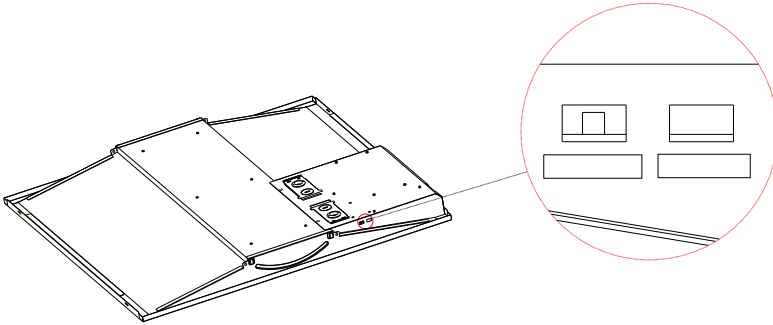
Attach the hook on the housing onto the T-Bar

Ceiling Type : Suspended Ceiling

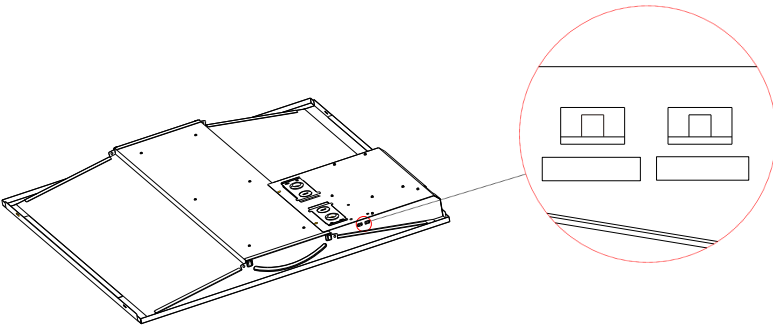


DIP Switch Operating Instruction

Adjusting the switch, and making the switch fix on the needed luminous flux number (adjustable luminaires: 24W/36W, 36W/42W/50W, 30K/40K/50K Lumens).
 Note: Only available for Watt changeable products.



Adjusting the switch, and making the switch fix on the needed luminous flux number (adjustable luminaire: 24W/36W, 36W/42W/50W, 30K/40K/50K Lumens).
 Note: Only available for Watt-CCT changeable products.



WIRING

1. Wire input end of the LED driver to supply wires using connector according to wiring section. Wire connections must be insulated.
2. Connect the BLACK/BROWN lead to LINE (+) supply lead.
3. Connect the WHITE/BLUE lead to NEUTRAL/Common (-) supply lead.
4. Connect the GREEN lead to GROUND supply lead.
5. If any, connect PURPLE/BLUE to 0-10V SIGNAL supply lead and GREY/WHITE to 0-10V NEUTRAL/REFERENCE supply lead.

WIRING DIAGRAM

