

LED Standard Wall Pack

CERTIFICATIONS



PRODUCT FEATURES



Photocell

Construction

Die-Cast aluminum housing with powder coat finish and prismatic lens.

Applications

- Factory
- Pedestrian lighting
- Security
- Storage
- Walkways
- Warehouse

Mounting

- Surface mount

Warranty

7-Year Limited Product Warranty (Optional 10-Year Warranty available)

BENEFITS

- Suitable for replacing Metal Halide fixtures.
- Traditional shape helps maintain building aesthetics when replacing only a portion of existing wall packs, eliminating unwanted markings from the removal of older fixtures.
- Photocell included with 35W, 55W, 80W and 120W versions.

SPECIFICATIONS

Available Wattage	35W - 120W
Available CCT	5000K
Efficacy Average	129 LM/W - 141 LM/W
Lumen Output	4,745 LM - 15,517 LM
Input Voltage	AC100-277V
Input Frequency	50/60HZ
CRI	> 80
Power Factor	0.9
THD	> 15%
Working Temp	-4F TO 113F (-20C TO 45C)
Lens	Striped
IP Rating	IP65
Dimming	Yes
Life Span (Hours)	> 70,000

LED Standard Wall Pack

Order Code	DLC Model #	Color	Photocell	Watts	CCT	LM/Watt	Total LM	Voltage
05245	MES-SWP02-35BA2-a[S;blank][R;blank][P;blank]50	Bronze	Yes	35W	5000K	135 LM/W	4,745 LM	100-277V
05232	MES-SWP02-35BA2-a[S;blank][R;blank][P;blank]50	White	No	35W	5000K	135 LM/W	4,745 LM	100-277V
09102	MES-SWP02-35BA2-a[S;blank][R;blank][P;blank]50	White	Yes	35W	5000K	135 LM/W	4,745 LM	100-277V
09103	MES-SWP02-55BA2-a[S;blank][R;blank][P;blank]50	White	Yes	55W	5000K	130 LM/W	7,122 LM	100-277V
05235	MES-SWP02-55BA2-a[S;blank][R;blank][P;blank]50	White	No	55W	5000K	130 LM/W	7,122 LM	100-277V
09100	MES-SWP02-55BA2-a[S;blank][R;blank][P;blank]50	Bronze	Yes	55W	5000K	130 LM/W	7,122 LM	100-277V
05248	MES-SWP02-80BA2-a[S;blank][R;blank][P;blank]50	Bronze	Yes	80W	5000K	132 LM/W	10,474 LM	100-277V
09104	MES-SWP02-80BA2-a[S;blank][R;blank][P;blank]50	White	Yes	80W	5000K	132 LM/W	10,474 LM	100-277V
09101	MES-SWP02-120BA2-a[S;blank][R;blank][P;blank]50	Bronze	Yes	120W	5000K	129 LM/W	15,517 LM	100-277V

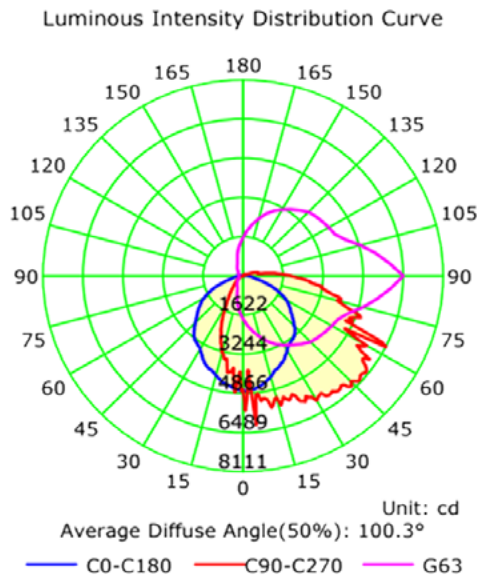


05246	MES-SWP02B-40CA1-a[S;Blank][M;Blank][P;Blank]f	Bronze	Yes	40W	4000K/5000K	141 LM/W	5,851 LM	100-277V
05247	MES-SWP02B-60CA1-a[S;Blank][M;Blank][P;Blank]f	Bronze	Yes	60W	4000K/5000K	133 LM/W	8,725 LM	100-277V
05249	MES-SWP02B-80CA1-a[S;Blank][M;Blank][P;Blank]f	Bronze	Yes	80W	4000K/5000K	138 LM/W	11,861 LM	100-277V

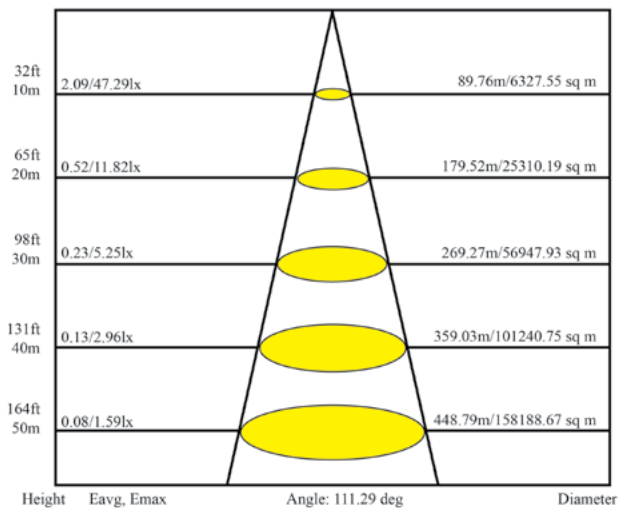
↑ When placing your order, please use **Order Code**.

PHOTOMETRIC DATA

Polar Curve

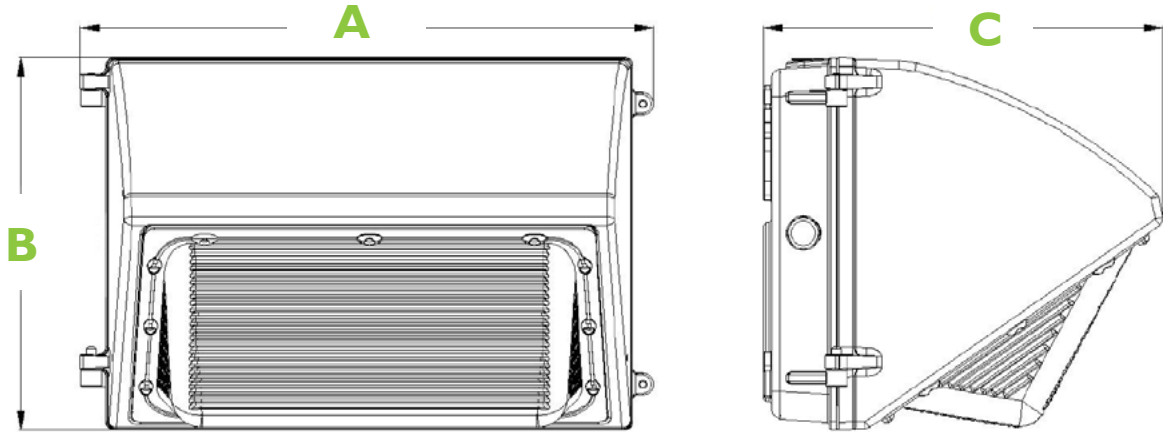


Corn Chart



LED Standard Wall Pack

DIMENSIONS



A	B	C
14.21"	9.25"	9.92"

ACCESSORIES

Order Code	Description	Voltage	
05290	Standard Wall Pack Shield Cover	-	
08360	Step Down Transformer	480V to 100-277V	