

## LED Stadium Light

### Description

Our newest LED Stadium Light is designed for installations above 25 feet. The 30-degree beam angle pushes more of the light to the ground and is ideal for higher installs. This fixture has a separate 10KV surge protection device to help prevent power failure due to a surge. The unit comes with an adjustable U bracket mount designed to allow the light to be angled up or down, depending on the focus of action.



Shown with optional slipfitter mount

### Specification Features

#### Construction

Die-cast aluminum housing with powder coat finish. UV stabilized polycarbonate lens.

#### Applications

Sport stadiums, warehouse, shipyard, , docks, airport

#### Mounting

U Bracket, Slipfitter

#### Certifications

UL Listed, DLC Premium

#### Warranty

7-Year Limited Warranty

Available Wattage	500W
Available CCT	5000K
Efficacy Average	131 LM/W
Lumen Output	64,528 LM
Input Voltage	AC100-277V, AC277-480V
Input Frequency	50/60HZ
CRI	>80
Power Factor	0.9
THD	> 15%
Working Temp	-40F to 113F (-40C to 45C)
Lens Type	Polycarbonate
IP Rating	IP65
Dimming	Yes
Life Span (Hours)	>70,000

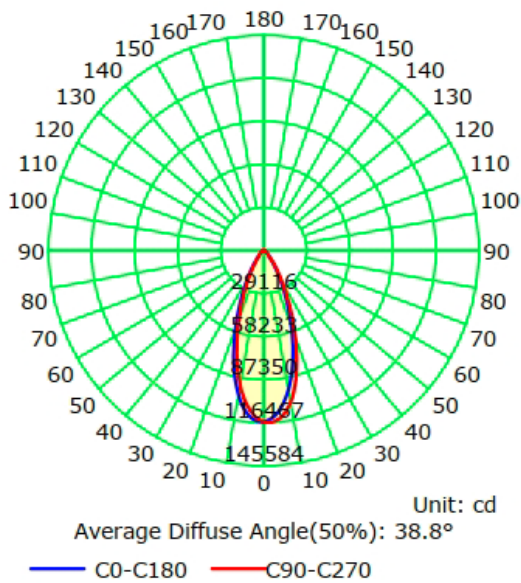


Part #	DLC Code	Watts	LM/Watt	Total LM	CCT	Voltage
05950	MES-SFL01B-500WSCT2-a-50	490.4W	131.58 LM/W	64,528 LM	5000K	100-277V
09153	MES-SFL01B-500WSCT2-a-50	490.4W	131.58 LM/W	64,528 LM	5000K	277-480V

## Photometric Data

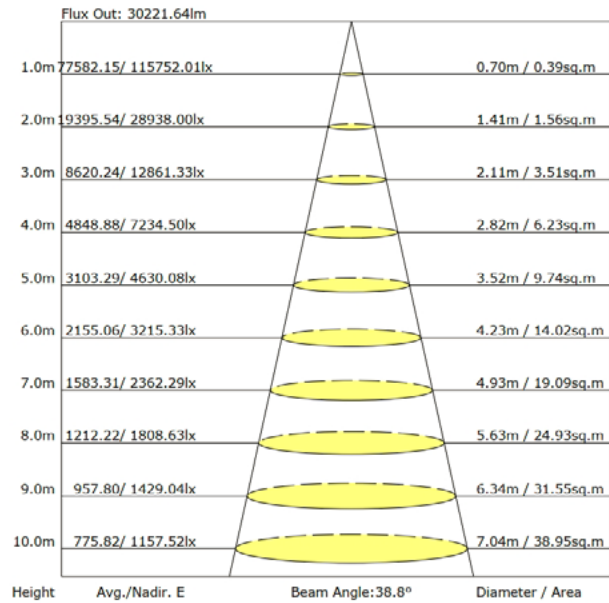
### Polar Curve

Luminous Intensity Distribution Curve

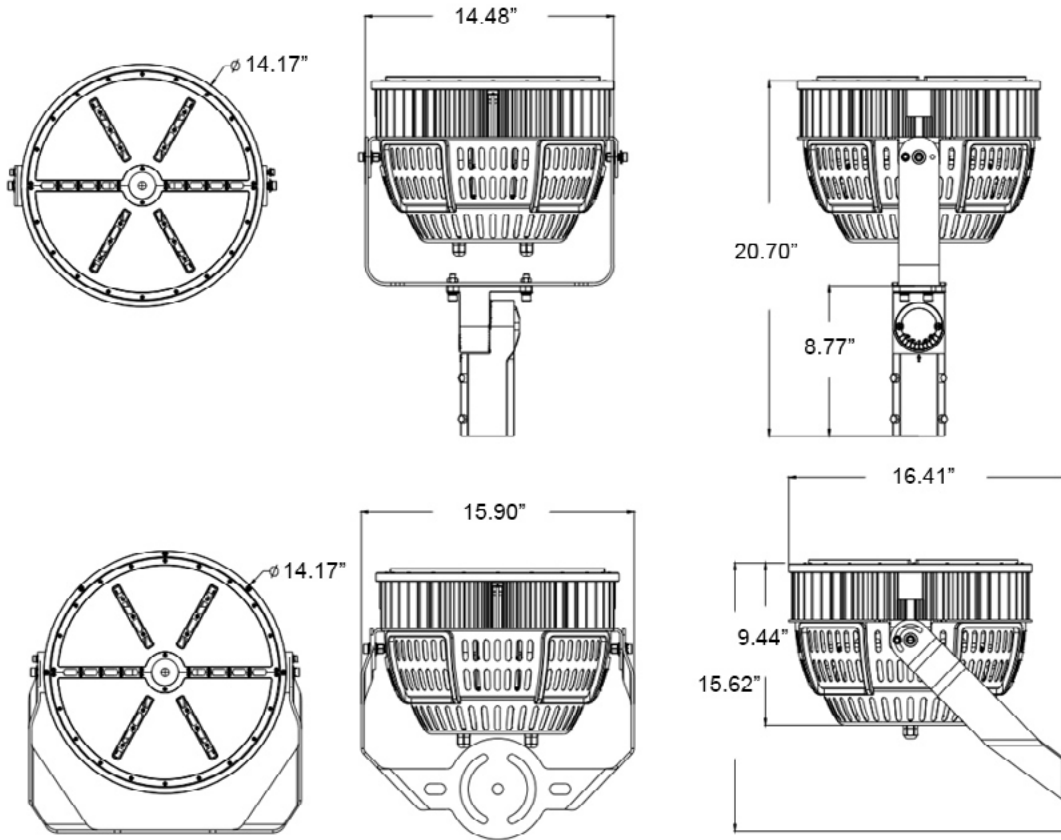


### Corn Chart

The Average Illuminance Effective Figure



## Dimensions



## Accessories

