

LED Small Flood Light

CCT Tunable

Description

The LED Small Flood is a high performance LED lighting solution designed with CCT Tunable functionality, optical versatility and a slim, low profile design. Its rugged cast aluminum housing minimizes wind load requirements and features an integral, watertight LED driver compartment and high performance aluminum heat sinks. Markets include parking lots, walkways, campuses, car dealerships, and office complexes.



Specification Features

Construction

Die-cast aluminum housing with powder coat finish. UV stabilized polycarbonate lens.

Applications

Parking lots, walkways, retail, car dealerships, playgrounds, warehouse, factory

Mounting

Knuckle Mount, Trunnion Mount

Certifications

UL Listed, DLC Premium

Warranty

7-Year Limited Warranty



Available Wattage	15W - 50W
Available CCT	CCT Tunable (3/4/5K)
Efficacy Average	119 LM/W - 122 LM/W
Lumen Output	3,0LM - 6,500 LM
Input Voltage	AC100-277V
Input Frequency	50/60HZ
CRI	>80
Power Factor	0.9
THD	>20%
Working Temp	-30F to 150F (-30C to 80C)
Lens Type	Polycarbonate
IP Rating	IP65
Dimming	Yes
Life Span (Hours)	>70,000

LED Small Flood Light

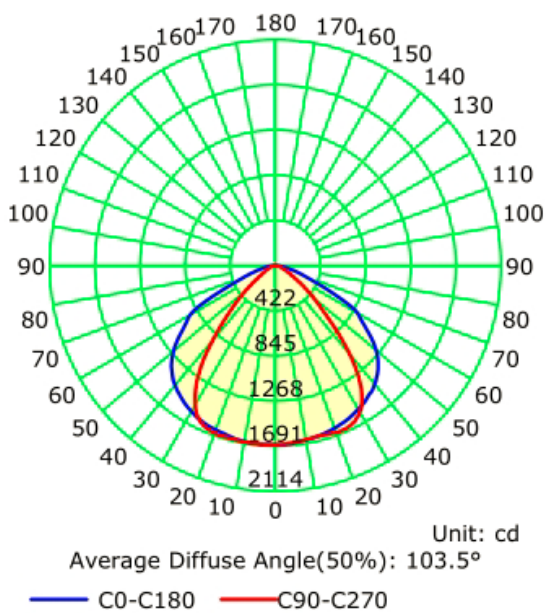
CCT Tunable

Part #	DLC Code	Size	Watts	CCT	LM/Watt	Total LM	Voltage
05359	MES-FL03-30WCH8AI-acdCA30/40/50	30W	29.21W	3/4/5K	119.29 LM/W	3,484 LM	100-277V
05360	MES-FL03-30WCH8AI-acdCA30/40/50	30W	29.21W	3/4/5K	119.29 LM/W	3,484 LM	100-277V
05361	MES-FL03-50WCH8AI-acdCA30/40/50	50W	49.53W	3/4/5K	122.95 LM/W	6,089 LM	100-277V
05362	MES-FL03-50WCH8AI-acdCA30/40/50	50W	49.53W	3/4/5K	122.95 LM/W	6,089 LM	100-277V

Photometric Data

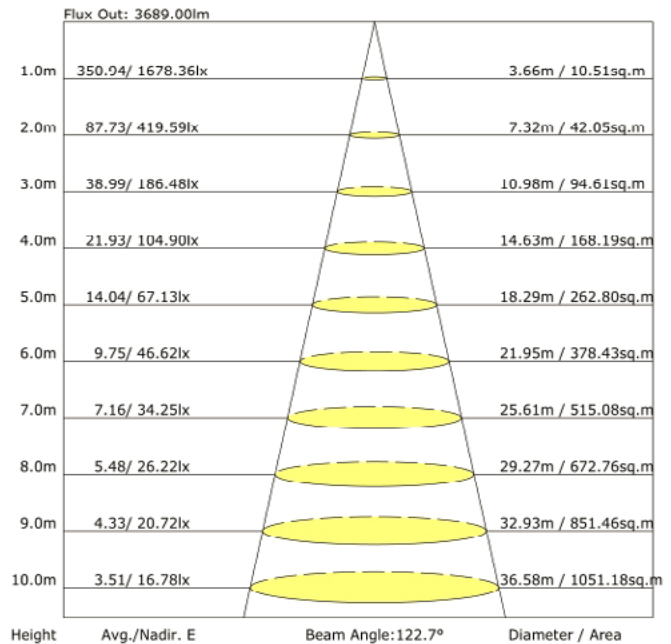
Polar Curve

Luminous Intensity Distribution Curve



Corn Chart

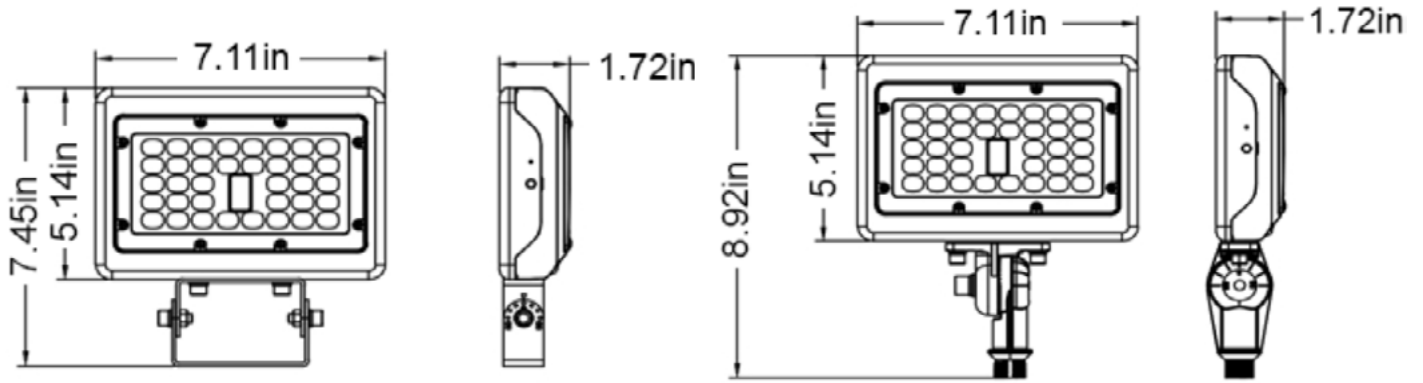
The Average Illuminance Effective Figure



LED Small Flood Light

CCT Tunable

Dimensions



Accessories



05360, 05362
 Trunnion Mount



05359, 05361
 Knuckle Mount