

LED Security Wall Pack

CERTIFICATIONS



PRODUCT FEATURES



Construction

Die-cast aluminum with prismatic polycarbonate lens

Applications

- Garage
- Gymnasium
- Parking garage
- Walkway
- Warehouse
- Workshop

Mounting

- Wall mount

Warranty

7-Year Limited Product Warranty
(Optional 10-Year Warranty available)

BENEFITS

- Great addition to poorly lit areas.
- Can be mounted directly to a wall, side of building, or above a walkway.
- Easily mount the wall pack on a recessed junction box.
- Built-in photocell, this fixture turns on automatically when the environment gets dark and turns off by itself with the first glimpse of daylight.

SPECIFICATIONS

Available Wattage	15W - 20W
Available CCT	5000K
Efficacy Average	133 LM/W - 135 LM/W
Lumen Output	2,025 LM - 2,660 LM
Input Voltage	AC100-277V
Input Frequency	50/60HZ
CRI	>80
Power Factor	0.9
THD	15%
Working Temp	-4F to 113F (-20C TO 45C)
Lens	Striped
IP Rating	IP65
Dimming	No
Life Span (Hours)	>70,000



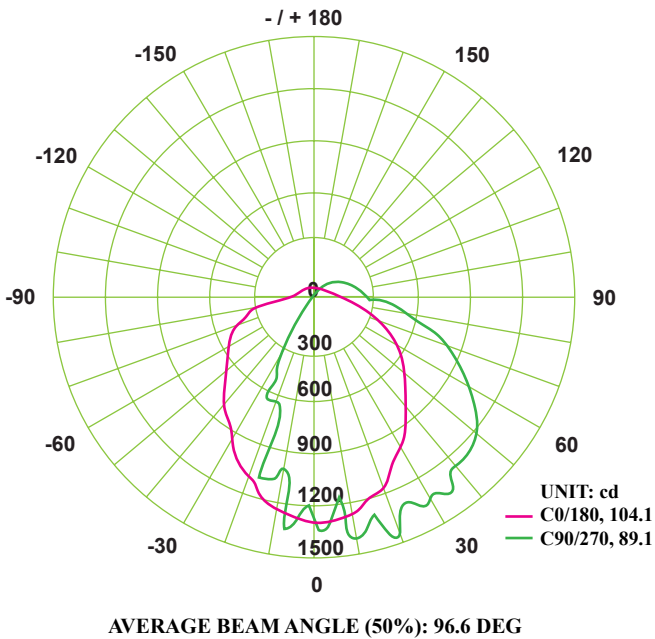
LED Security Wall Pack

Order Code	DLC Model #	Wattage	Color	CCT	LM/Watt	Total LM	Voltage
05050	MES-MWP-15BF-50	15W	Bronze	5000K	135 LM/W	2,025 LM	100-277AC
05051	MES-MWP-15BF-50	15W	White	5000K	135 LM/W	2,025 LM	100-277AC
05052	MES-MWP-20BF-50	20W	Bronze	5000K	133 LM/W	2,660 LM	100-277AC
05053	MES-MWP-20BF-50	20W	White	5000K	133 LM/W	2,660 LM	100-277AC

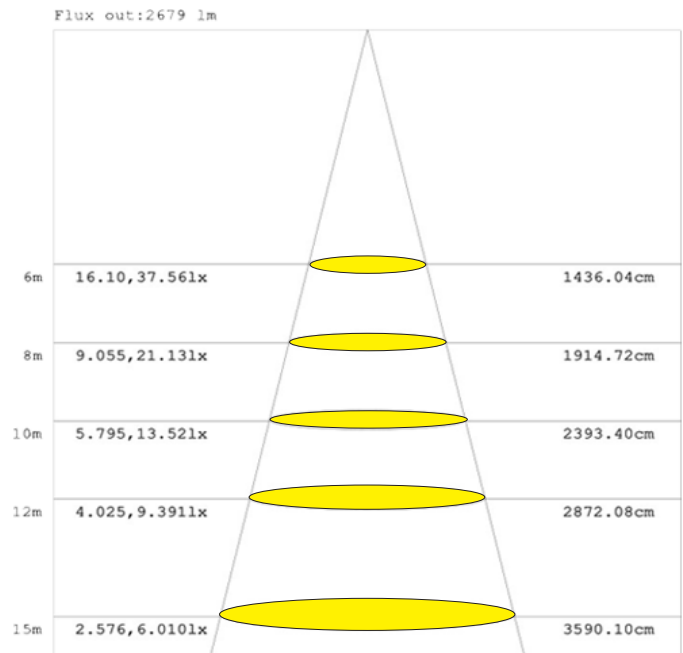
↑ When placing your order, please use **Order Code**.

PHOTOMETRIC DATA

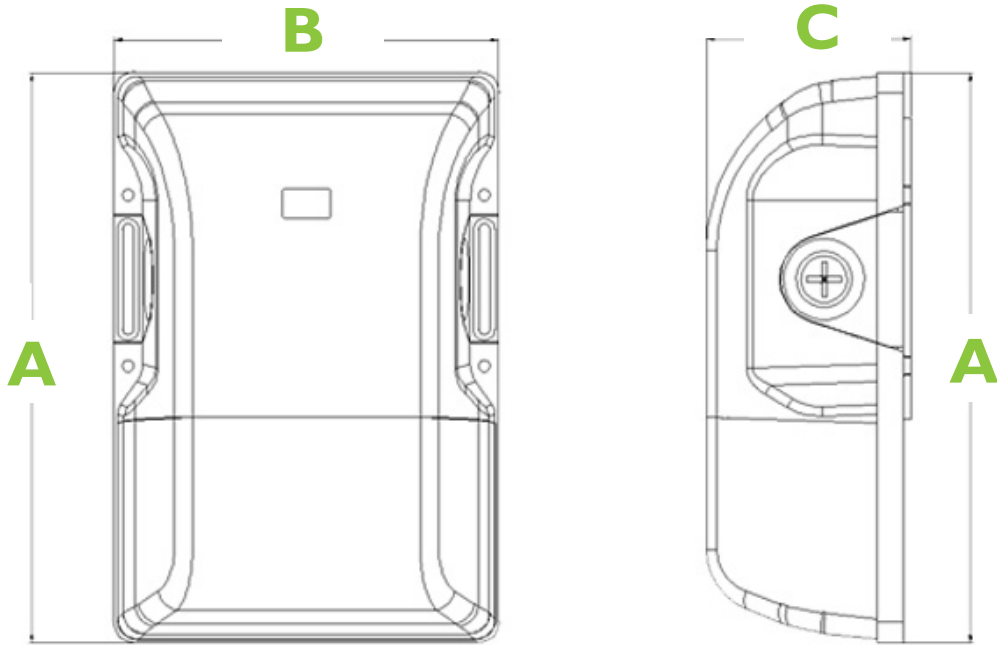
Polar Curve



Cone Chart



DIMENSIONS



A	B	C
8.6"	5.8"	3.0"