

# LED Round High Bay (Gen 4)

## CERTIFICATIONS



## PRODUCT FEATURES



### Construction

Heavy duty cast aluminum with an integrated thermally efficient heatsink profile

### Applications

- Garage
- Gymnasium
- Parking garage
- Warehouse
- Workshop

### Mounting

- Hook Mount
- Yoke Mount

### Warranty

7-Year Limited Warranty  
(Optional 10-Year Warranty available)

## BENEFITS

- Energy efficient, cost saving alternative to a traditional metal halide lights.
- Sensor ready: Built-in junction box allows for a quick sensor install and driver replacement when needed.
- 6KV Surge Protection



This fixture will need to be programmed by LED remote control 06278 (see page 3).

## SPECIFICATIONS

|                   |                            |
|-------------------|----------------------------|
| Available Wattage | 100W - 200W                |
| Available CCT     | 5000K                      |
| Efficacy Average  | 145 LM/W - 150 LM/W        |
| Lumen Output      | 14,539 LM - 29,912 LM      |
| Input Voltage     | AC100-277V/100-347V/480V   |
| Input Frequency   | 50/60HZ                    |
| CRI               | >80                        |
| Power Factor      | 0.9                        |
| THD               | 15%                        |
| Working Temp      | -40F to 131F (-40C TO 55C) |
| Lens              | Clear                      |
| IP Rating         | IP65                       |
| Dimming           | Yes                        |
| Life Span (Hours) | >70,000                    |



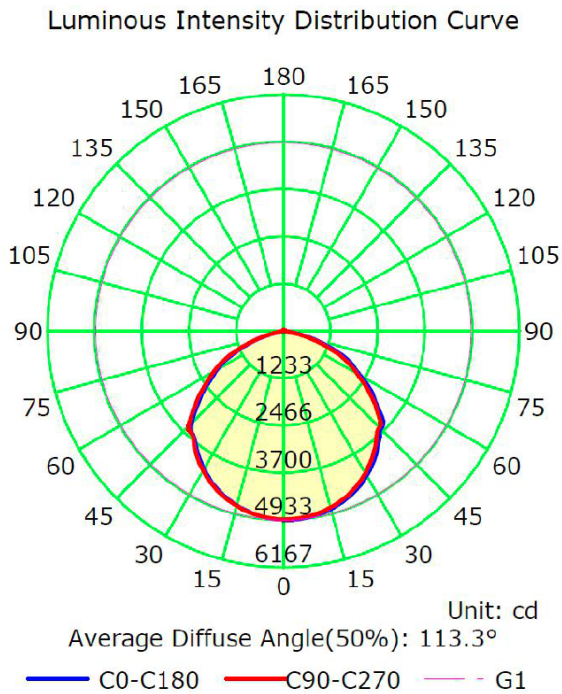
## LED Round High Bay (Gen 4)

| Order Code | DLC Model #                               | Wattage | CCT   | LM/Watt  | Total LM  | Voltage  |
|------------|---|---------|-------|----------|-----------|----------|
| 09120      | MES-HB04-100WSBCPDI-a[S;blank][M;blank]50 | 100W    | 5000K | 145 LM/W | 14,539 LM | 100-277V |
| 09121      | MES-HB04-150WSBCPDI-a[S;blank][M;blank]50 | 150W    | 5000K | 147 LM/W | 22,030 LM | 100-277V |
| 09214      | MES-HB04-200WSBCPDI-a[S;blank][M;blank]50 | 200W    | 5000K | 150 LM/W | 29,912 LM | 100-277V |

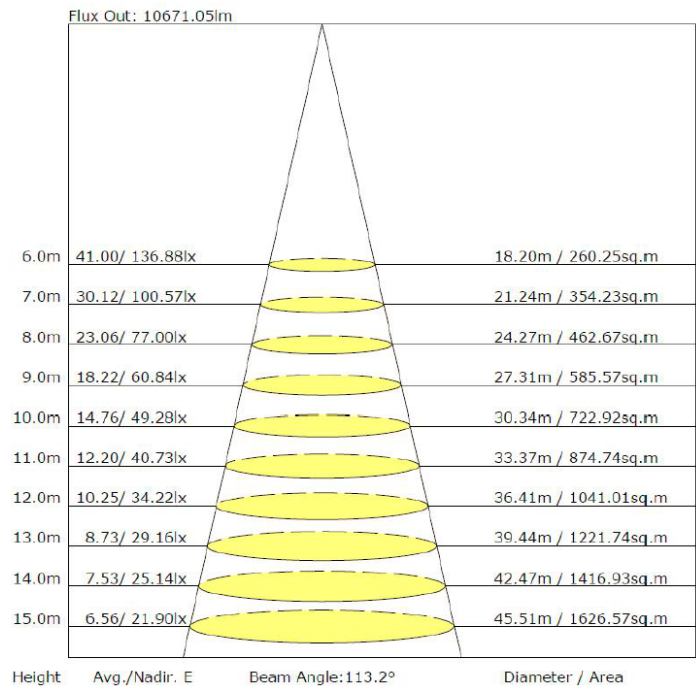
↑ When placing your order, please use **Order Code**.

### PHOTOMETRIC DATA

**Polar Curve**

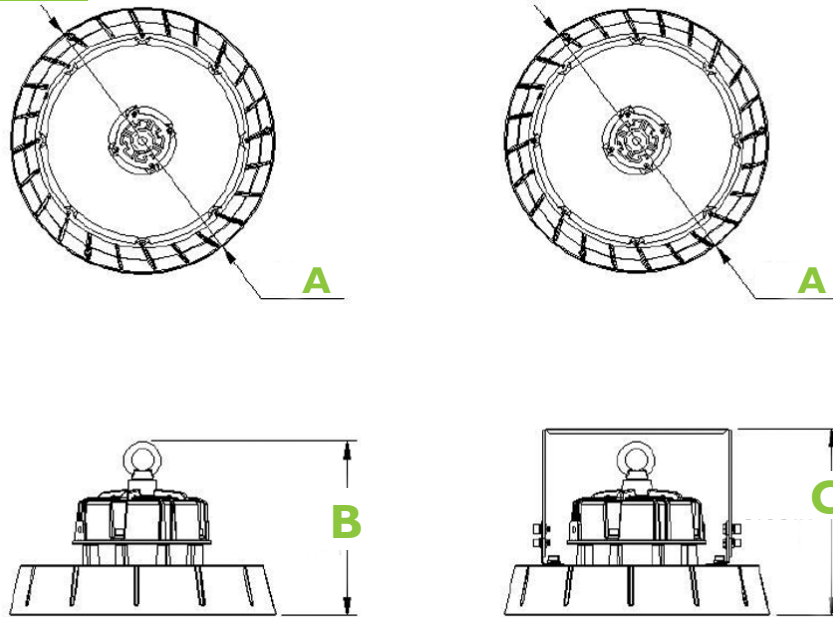


**Cone Chart**



# LED Round High Bay (Gen 4)

## DIMENSIONS



| Fixture Mount | A     | B    | C    |
|---------------|-------|------|------|
| Hook Mount    | 11.4" | 7.5" | -    |
| Yoke Mount    | 11.4" | -    | 8.0" |

## ACCESSORIES

| Order Code | Description                    | Wattage  |  |
|------------|--------------------------------|----------|--|
| 03160      | UFO High Bay Acrylic Reflector | -        |  |
| 03161      | UFO High Bay Yoke Mount        | 100-150W |  |
| 03165      | UFO High Bay Wire Guard        | 100-150W |  |

## LIGHTING CONTROLS

| Order Code | Description  | Height | Voltage   | Color | Version      | Function    |
|------------|--|--------|-----------|-------|--------------|-------------|
| 06234      | DC Powered 3-in-1 Microwave Sensor for Sensor Ready Round High Bay | 49ft   | 10-15 VDC | Black | Sensor Ready | 3-in-1      |
| 06278      | LED Intelligent Remote Control                                     | -      | -         | White | Standard     | LCD Display |

