

## LED Full Cutoff Wall Pack

### Description

The LED full cut off wall pack combines traditional wall pack design with high-output LEDs to provide an energy-efficient, low maintenance LED wall pack suitable for replacing Metal Halide fixtures. The traditional shape helps maintain building aesthetics when replacing only a portion of your building's wall packs at a time, while also eliminating unwanted markings from the removal of older fixtures. The full cut off design directs light only downward, making it complementary to dark skies.



### Specification Features

#### Construction

Die-cast aluminum housing with hinged door frame

#### Applications

Warehouses, factory, storage, pedestrian lighting

#### Mounting

Surface mount

#### Certifications

UL Listed, DLC

#### Warranty

7-Year Limited Warranty

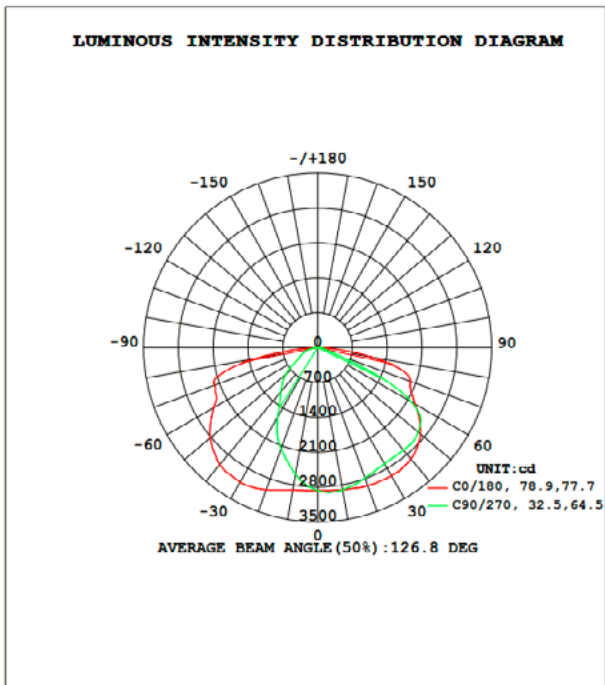
Available Wattage	40W - 80W
Available CCT	5000K
Efficacy Average	118 LM/W - 124 LM/W
Lumen Output	4,743 LM - 9,974 LM
Input Voltage	AC100-277V
Input Frequency	50/60HZ
CRI	>80
Power Factor	0.9
THD	>15%
Working Temp	-4°F to 113°F (-20°C TO 45°C)
Lens Type	Polycarbonate Lens
IP Rating	IP65
Dimming	Yes
Life Span (Hours)	>70,000



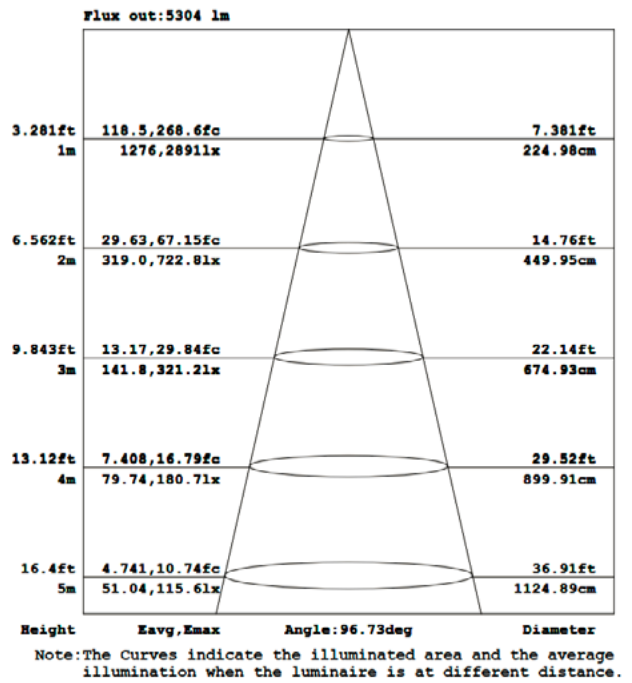
Part #	DLC Code	Watts	CCT	LM/Watt	Total LM	Voltage
05150	MES-FWP-40CT4-[S; blank][P; blank]50	40W	5000K	118 LM/W	4,743 LM	100-277V
05151	MES-FWP-60CT4-[S; blank][P; blank]50	60W	5000K	120 LM/W	7,482 LM	100-277V
05152	MES-FWP-80CT4-[S; blank][P; blank]50	80W	5000K	124 LM/W	9,974 LM	100-277V

### Photometric Data

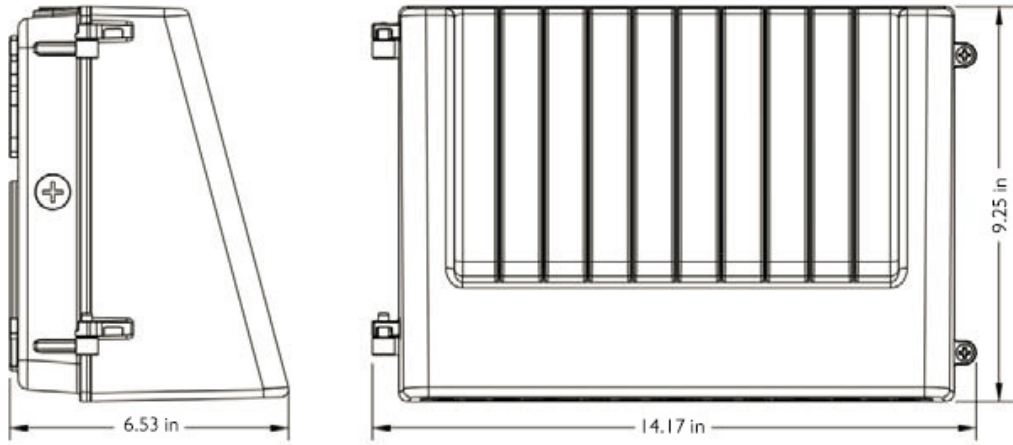
**Polar Curve**



**Cone Chart**



### Dimensions



### Sensor



06451  
Photocell Button Style  
120V - 277V



09172  
Photocell Swivel Style  
120V - 277V