

Figure 20 - Pump Cross Sectional View

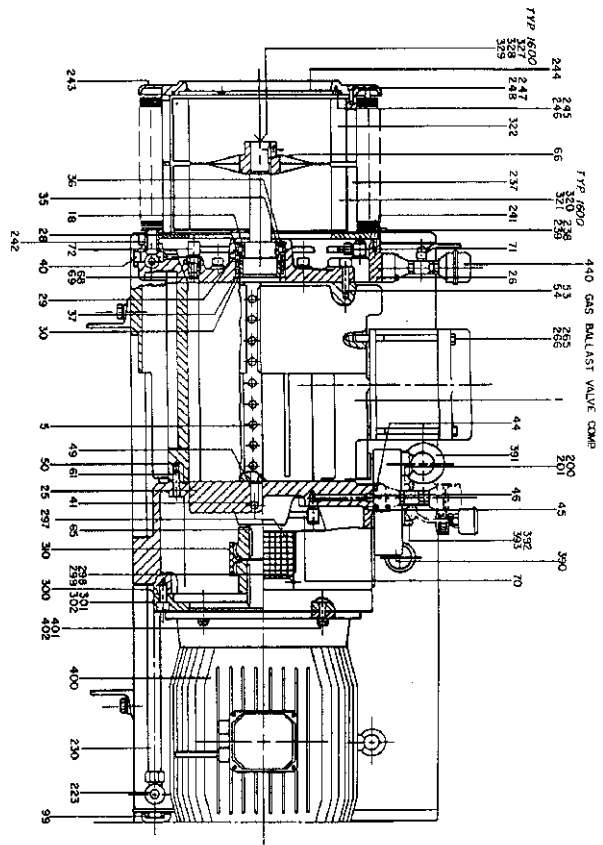


Figure 20 - Pump Cross Sectional View

## TYPICAL R5 1000/1600 ASSEMBLY BY REFERENCE NUMBER

Ref. No. Description	Ref. No. Description	Ref. No. Description
1 Pump Cylinder	126 Slotted Cheese Head Machine Screw	276 Gasket Ring
5 Slotted Set Screw	129 Baffle Strainer	285 Oil Recirculation Screw
15 Rotor	130 Baffle Strainer	286 Banjo Fitting
18 Bearing Sleeve	139 Cover Plate, A-Side	290 Oil Return Line, B-Side
22 Vane		291 Hydraulic Fitting, Elbow
25 Endplate, Motor Side (A)	140 Cover Plate, B-Side	293 Oil Return Line, A-Side
26 Endplate, Oppos. Motor Side (B)	141 Gasket	297 Screen
28 Spacer Endplate	142 Socket Head Cap Screw	298 Sheet Metal Screw
29 Spacer Endplate	143 Lockwasher	299 Sheet Metal Nut
30 Bearing	145 Cover Plate (Screen)	300 Motor Mounting Bracket for 37Kw Motor
35 Shaft Seal, Viton	146 Self Tapping Screw	301 Socket Head Cap Screw
36 Shaft Seal, Buna	155 Gasket	302 Lockwasher
37 Retaining Ring	156 Valve Housing	310 Coupling Half, Pump Side
40 Plug	157 Socket Head Cap Screw	310 Coupling Half, Motor Side
41 Plug	158 Lockwasher	310 Coupling Insert
44 Cover	159 Exhaust Valve Complete	320 Spacer (Fan)
45 Hex Head Cap Screw	167 Gasket Ring, Buna	321 Fan
46 Plug	169 Valve Cover Plate	322 Fan
49 O-Ring, Buna	175 Stud	327 Locking Disc
50 O-Ring, Buna	176 Lockwasher	328 Hex Head Cap Screw
53 Socket Head Cap Screw	177 Hex Nut	329 Lockwasher
54 Lockwasher	180 Plug	390 Adaptor for Eye Bolt
60 Taper Pin	185 Gasket-Cylinder/Exh. Box	391 Eye Bolt
61 Cylindrical Pin	186 Hex Head Cap Screw	392 Lockwasher
65 Shaft Key	187 Lockwasher	393 Hex Head Cap Screw
66 Shaft Key	200 Drum Plug	400 Motor
68 Connection Piece	201 O-Ring, Buna	401 Hex Head Cap Screw
69 O-Ring, Buna	205 Cover Plate	402 Lockwasher
70 Gas Ballast Line, A-Side	206 Gasket	410 Frame
71 Gas Ballast Line, B-Side	207 Socket Head Cap Screw	411 Washer
72 Hydraulic Fitting, Elbow	208 Lockwasher	412 Lockwasher
75 Pump Exhaust Box	223 Hydraulic Fitting, Elbow	413 Hex Head Cap Screw
75a Heli-Coil	230 Oil Tubing	414 Hex Head Cap Screw
75b Heli-Coil	237 Oil Cooler Guide	420 Spacer
78 Sheet Metal Baffle	237a Heli-Coil	421 Rubber Foot
79 Steel Demister	238 Socket Head Cap Screw	430 Name Plate
80 Perforated Metal	239 Lockwasher	431 Directional Arrow
83 Oil Sight Glass	241 Oil Cooler	433 Oil Level Label
84 Gasket Ring	242 O-Ring, Buna	434 Company Name Plate
88 Oil Fill Plug	243 Front Cover	435 Flat Head Machine Screw
89 Gasket Ring	244 Fan Guard	440 Gas Ballast Valve Complete Incl. Mounting Hardware
90 Pressure Gauge	245 Disc	483 Gasket Ring
95 Oil Drain Plug	246 Hex Head Cap Screw	484 Plug
96 Gasket Ring	247 Socket Head Cap Screw	485 Bypass Plug
99 Pipe Nipple	248 Lockwasher	488 Thermostat
100 Automotive-Type Oil Filter	250 Inlet Flange, Lower Housing	489 Gasket Ring
105 Cover Plate	251 Valve Plate	490 Nipple
106 Gasket	252 Valve Guide	491 Oil Level Mounting Plate
107 Socket Head Cap Screw	253 O-Ring, Buna	496 Oil Level Switch O-Ring, Buna for Ref. #496
108 Lockwasher	254 Spring	498 Cheese Head Machine Screw
113 Support Frame for Baffle Strainer (A-Side)	255 O-Ring, Buna	499 Lockwasher
114 Support Frame for Baffle Strainer (B-Side)	257 O-Ring, Buna	
115 Filter Bracket	258 Rubber Ball, Buna	
116 Filter Bracket	260 Inlet Flange, Upper Housing	
117 Filter Bracket	261 Inlet Screen	
120 Exhaust Filter	265 Hex Head Cap Screw	
121 O-Ring, Buna	266 Lockwasher	
125 Filter Spring Assembly	270 Plug	
	271 Gasket Ring	
	275 Oil Return Valve	