

TYPICAL R5 ASSEMBLY 010-016

Figure 2A

TYPICAL R 5 0010/0016 ASSEMBLY BY REFERENCE NUMBER

Ref. No.	Description	Ref. No.	Description	Ref. No.	Description
1	Pump Cylinder	146	Hex Head Cap Screw	291	Hydraulic Fitting, Straight
15	Rotor	159	Exhaust Valve Complete	292	Carburetor Jet
18	Bearing Sleeve	166	Cylindrical Pin	300	Motor Mounting Bracket
22	Vane	180	Plug	301	Hex Head Cap Screw
25	Endplate, Motor Side (A)	185	Gasket-Cylinder/Exhaust Box	302	Lockwasher
26	Endplate, Oppos. Motor Side (B)	186	Hex Head Cap Screw	310	Coupling Half, Pump Side
30	Bearing	187	Lockwasher	310	Coupling Half, Motor Side
35	Shaft Seal, Buna	200	Drum Plug	310	Coupling Insert, Bowex
46	Set Screw	201	O-Ring, Buna	400	Motor
50	O-Ring, Buna	220	Hydraulic Fitting, Straight		
53	Hex Head Cap Screw	230	Oil Tubing	401	Hex Head Cap Screw
54	Lockwasher	231	Oil Tubing	402	Lockwasher
60	Taper Pin	251	Valve Plate	417	Slotted Set Screw
65	Shaft Key	252	Valve Guide	418	Slotted Set Screw
75	Pump Exhaust Box	253	O-Ring, Buna	419	Spacer
83	Oil Sight Glass	254	Spring	421	Rubber Foot
84	Gasket Ring	256	Inlet Flange Gasket	430	Name Plate
88	Oil Fill Plug	260	Inlet Flange, Upper Housing	431	Directional Arrow
89	Gasket Ring	261	Inlet Screen	433	Oil Level Label
90	Pressure Gauge	262	Retaining Ring	436	Maintenance Label
95	Oil Drain Plug	265	Hex Head Cap Screw	440	Gas Ballast Valve Complete
120	Exhaust Filter	270	Plug	550	Endplate Cover
121	O-Ring, Buna	271	Gasket Ring		
125	Filter Spring Assembly	275	Oil Return Valve		
126	Slotted Cheese Head Machine Screw	276	Gasket Ring		
130	Baffle Strainer	285	Oil Recirculation Screw		
131	Foam Block	286	Banjo Fitting		
145	Cover Plate (Screen)	288	Gasket Ring		
		290	Oil Return Line		



516 Viking Drive  
 Virginia Beach, VA 23452  
 Phone: (804) 463-7800

Busch, Inc.

Dwg. No. E 1013 A

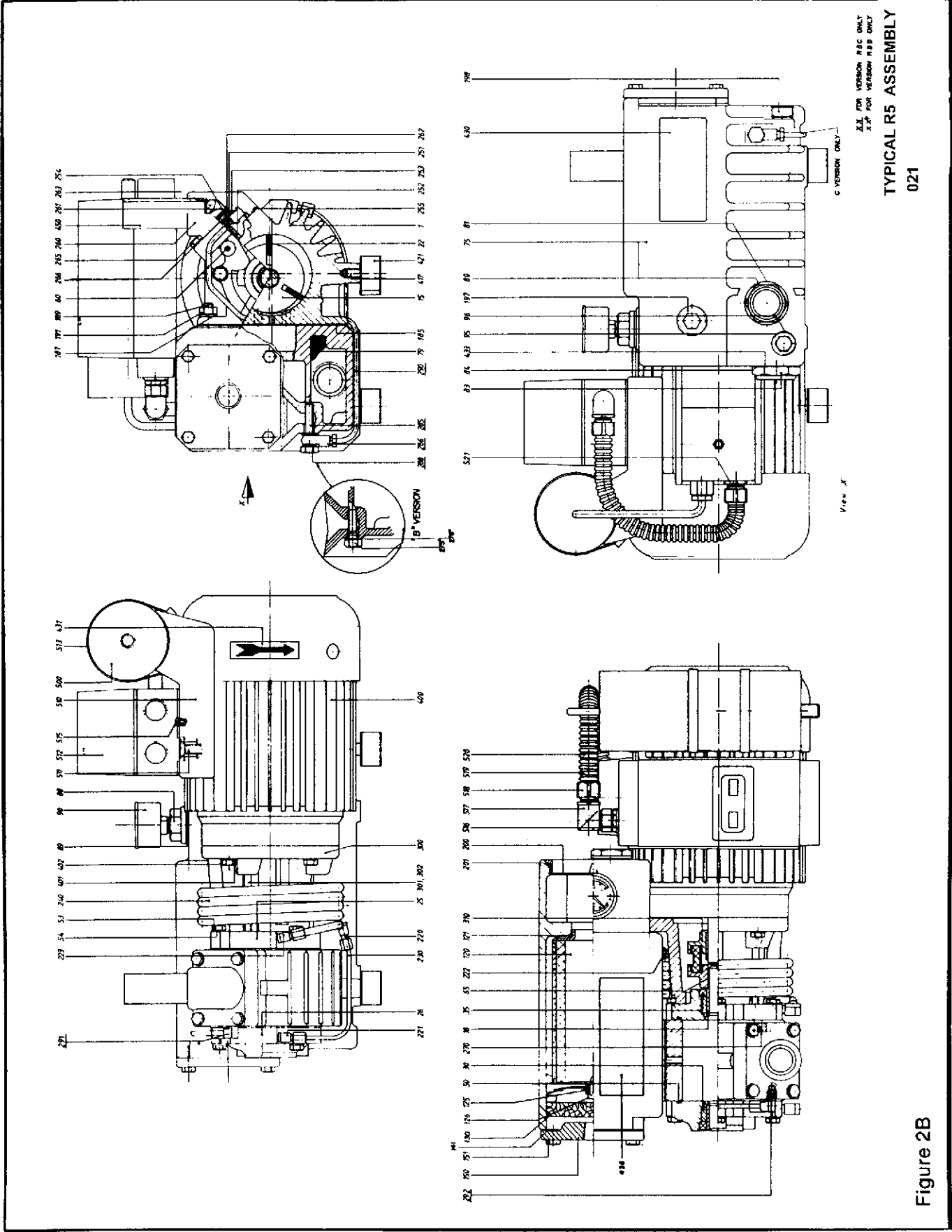



Figure 2B

TYPICAL R 5 012/021 ASSEMBLY BY REFERENCE NUMBER

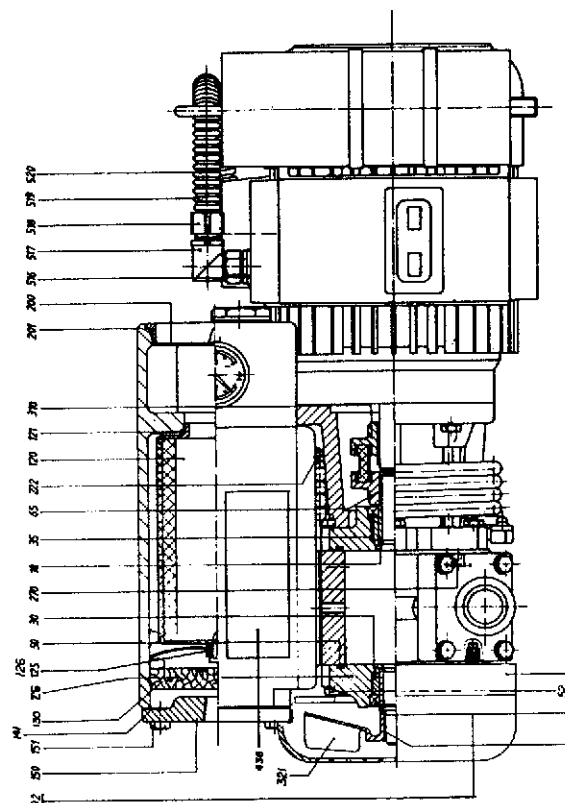
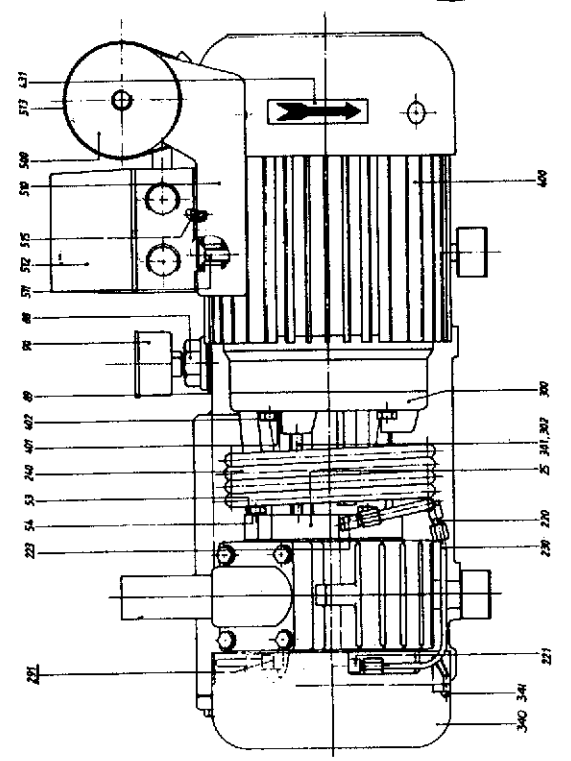
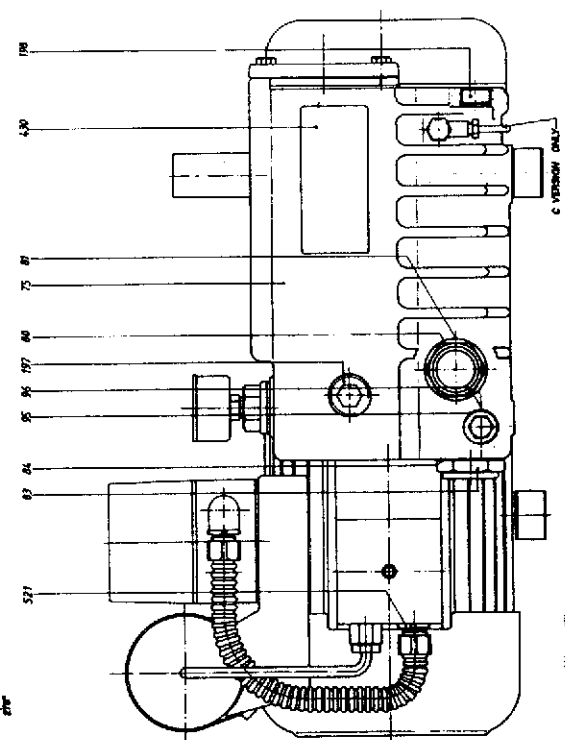
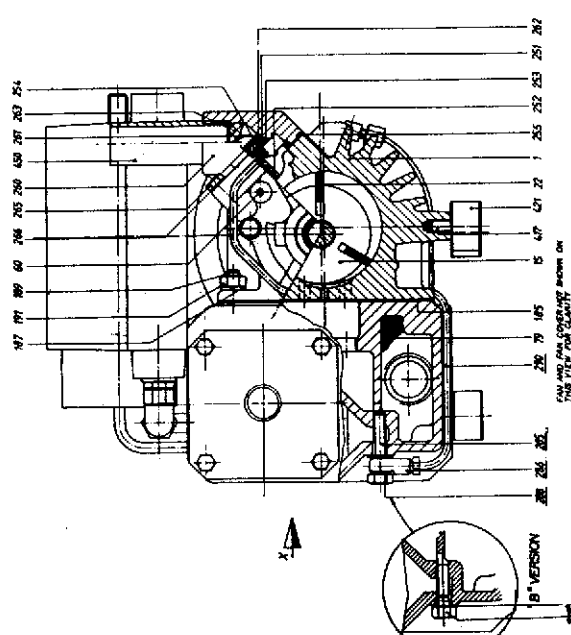
Ref. No.	Description	Ref. No.	Description	Ref. No.	Description
1	Pump Cylinder	151	Hex Head Cap Screw	286	Banjo Fitting
15	Rotor	185	Gasket-Cylinder/Exh. Box	288	Gasket Ring
18	Bearing Sleeve	187	Lockwasher	290	Oil Return Line
22	Vane	189	Stud	291	Hydraulic Fitting
25	Endplate, Motor Side (A)	191	Hex Nut	292	Carburetor Jet
26	Endplate, Oppos. Motor Side (B)	197	Plug	300	Motor Mounting Bracket
30	Bearing	198	Plug	301	Hex Head Cap Screw
35	Shaft Seal, Buna	200	Drum Plug	302	Lockwasher
50	O-Ring, Buna	201	O-Ring, Viton	310	Coupling Half, Pump Side
53	Hex Head Cap Screw	220	Hydraulic Fitting, Elbow		
54	Lockwasher	221	Hydraulic Fitting, Elbow	310	Coupling Half, 115V, 1 Phase Motor Only
60	Taper Pin	222	Hydraulic Fitting, Straight		
65	Shaft Key	223	Hydraulic Fitting, Elbow	310	Coupling Half, 230/460V, 3 Phase Motor Only
75	Pump Exhaust Box	230	Oil Tubing	310	Coupling Insert
79	Steel Demister	240	Cooling Coil		
80	Oil Sight Glass	251	Valve Plate	400	Motor, 1 Phase, 0.90 Kw
81	Gasket Ring	252	Valve Guide	400	Motor, 3 Phase, 0.75 Kw
83	Oil Sight Glass	253	O-Ring, Buna	401	Hex Head Cap Screw
84	Gasket Ring	254	Spring	402	Lockwasher
88	Oil Fill Plug	255	O-Ring, Buna	417	Slotted Set Screw
89	Gasket Ring	260	Inlet Flange	421	Rubber Foot
90	Pressure Gauge	261	Inlet Screen	430	Name Plate
95	Oil Drain Plug	262	Retaining Ring	431	Directional Arrow
96	Gasket Ring	263	Baffle Strainer	433	Oil Level Label
120	Exhaust Filter	265	Hex Head Cap Screw	436	Maintenance Label
121	O-Ring, Buna	266	Lockwasher	450	Pipe Nipple
125	Filter Spring Assembly	270	Plug	500*	Condenser
130	Baffle Strainer	275	Oil Return Valve	510*	Condenser Mounting Bracket
141	Gasket	276	Gasket Ring	511*	Flat Head Socket Screw
150	Cover Plate	285	Oil Recirculation Screw	513*	Hose Clamp

\*Only on 115V, 1 Phase Motor



**Busch, Inc.**  
516 Viking Drive  
Virginia Beach, VA 23452  
Phone: (804) 463-7800

**Dwg. No. E 1010 A**




K.K. FOR VERSION INC ONLY  
 K.K. FOR VERSION INC ONLY  
**TYPICAL R5 ASSEMBLY**  
**RB/C-0021-5015**

TYPICAL R B/C 0021—S015 ASSEMBLY BY REFERENCE NUMBER

Ref. No.	Description	Ref. No.	Description	Ref. No.	Description
1	Pump Cylinder	187	Lockwasher	301	Socket Head Cap Screw
15	Rotor	189	Stud	302	Lockwasher
18	Bearing Sleeve	191	Hex Nut	310	Coupling Half, Pump Side
22	Vane	197	Plug	310	Coupling Half, 115V, 1 Phase, Motor Only
25	Endplate, Motor Side (A)	198	Plug	310	Coupling Half, 230/460V, 3 Phase, Motor Only
26	Endplate, Oppos. Motor Side (B)	200	Drum Plug	310	Coupling Insert
30	Bearing	201	O-Ring, Buna	321	Fan
35	Shaft Seal, Viton	220	Hydraulic Fitting, Elbow	323	Spacer
50	O-Ring, Buna	221	Hydraulic Fitting, Elbow	339	Fan Center Ring
52	Hex Head Cap Screw	222	Hydraulic Fitting, Straight	340	Fan Cover
53	Hex Head Cap Screw	223	Hydraulic Fitting, Elbow	341	Machine Screw
54	Lockwasher	230	Oil Tubing	400	Motor, 1 Phase, 0.90 Kw
60	Taper Pin	240	Cooling Coil	400	Motor, 3 Phase, 0.75 Kw
65	Shaft Key	251	Valve Plate	401	Hex Head Cap Screw
75	Pump Exhaust Box	252	Valve Guide	402	Lockwasher
79	Steel Demister	253	O-Ring, Buna	417	Slotted Set Screw
80	Oil Sight Glass	254	Spring	421	Rubber Foot
81	Gasket Ring	255	O-Ring, Buna	430	Name Plate
83	Oil Sight Glass	260	Inlet Flange	431	Directional Arrow
84	Gasket Ring	261	Inlet Screen	433	Oil Level Label
88	Oil Fill Plug	262	Retaining Ring	436	Maintenance Label
89	Gasket Ring	263	Baffle Strainer	450	Pipe Nipple
90	Pressure Gauge	265	Hex Head Cap Screw	500 *	Condenser
95	Oil Drain Plug	266	Lockwasher	510 *	Condenser Mounting Bracket
96	Gasket Ring	270	Plug	511 *	Flat Head Socket Screw
120	Exhaust Filter	275	Oil Return Valve	513 *	Hose Clamp
121	O-Ring, Buna	276	Gasket Ring		
125	Filter Spring Assembly	285	Oil Recirculation Screw		
126	Machine Screw	286	Banjo Fitting		
130	Baffle Strainer	288	Gasket Ring		
141	Gasket	290	Oil Return Line		
150	Cover Plate	291	Hydraulic Fitting		
151	Hex Head Cap Screw	292	Carburetor Jet		
185	Gasket-Cylinder/Exh. Box	300	Motor Mounting Bracket		

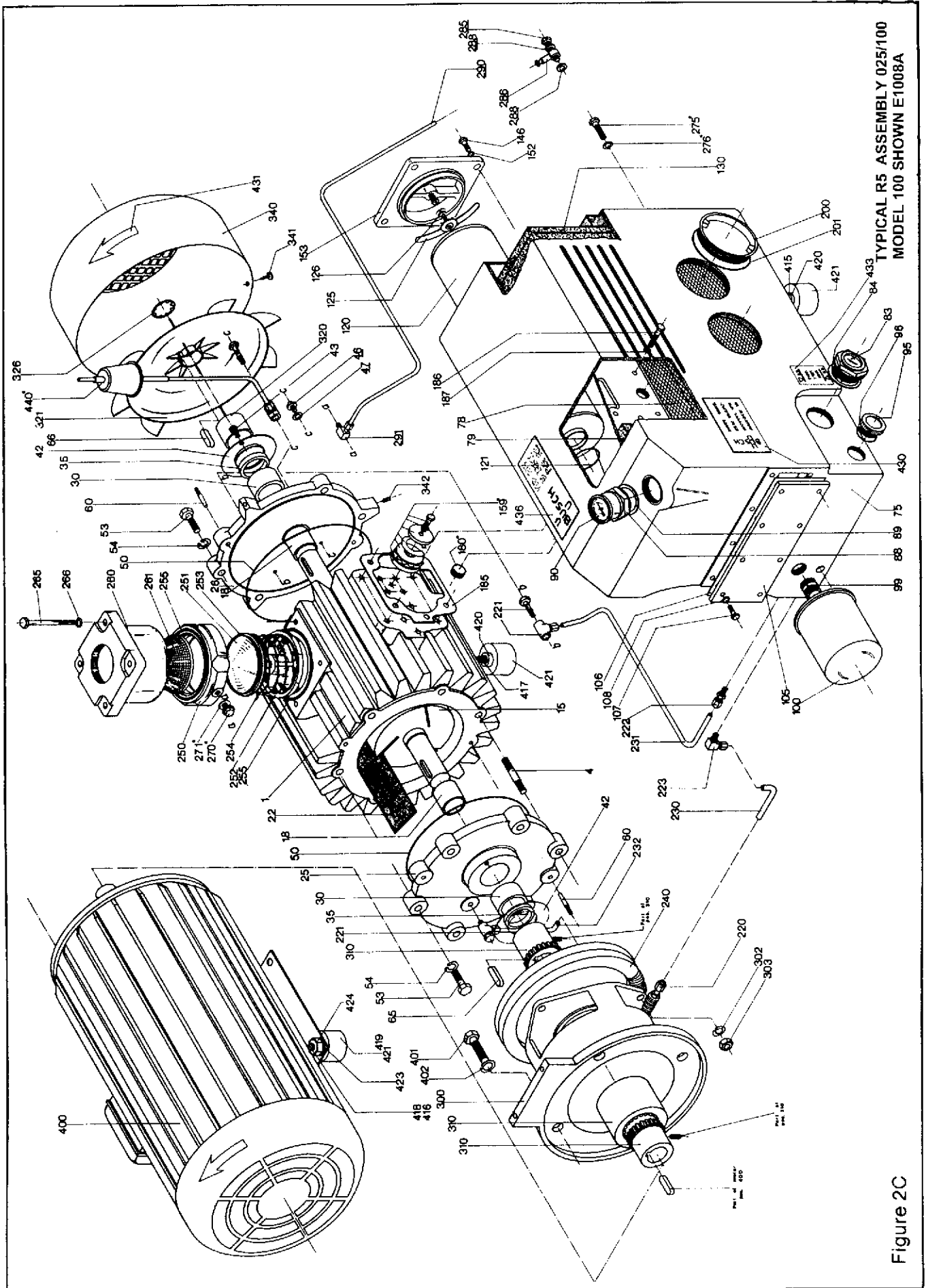
\* Only on 115V, 1 Phase Motor



**Busch, Inc.**

516 Viking Drive  
Virginia Beach, VA 23452  
Phone: (804) 463-7800  
Telex: 292872

**Dwg. No. E 1018 A**



TYPICAL R5 ASSEMBLY 025/100  
MODEL 100 SHOWN E1008A

Figure 2C

TYPICAL R 5 025/040/063/100 ASSEMBLY BY REFERENCE NUMBER

MODEL 100 SHOWN

Ref. No.	Description	Ref. No.	Description	Ref. No.	Description	Ref. No.	Description
1	Pump Cylinder	95	Oil Drain Plug	230	Oil Tubing	320	Spacer
4	Stud	96	O-Ring, Buna	231	Oil Tubing	321	Fan
15	Rotor	99	Pipe Nipple	232	Oil Tubing	326	Retaining Ring
18	Bearing Sleeve	100	Automotive-type Oil Filter	240	Cooling Coil	340	Fan Cover
22	Vane	105	Cover Plate	250	Inlet Flange, Lower Housing	341	Sheet Metal Screw
25	Endplate, Motor Side (A)	106	Gasket	251	Valve Plate	342	Plastic Sleeve
26	Endplate, Oppos. Motor Side (B)	107	Hex Head Cap Screw	252	Valve Guide	400	Motor
30	Bearing	108	Gasket Ring	253	O-Ring, Buna	401	Hex Head Cap Screw
35	Shaft Seal, Viton	120	Exhaust Filter	254	Spring	402	Lockwasher
42	Support Ring			255	O-Ring, Buna	415	Slotted Set Screw
43	Slotted Cheese Head Machine Screw	121	O-Ring, Buna	260	Inlet Flange, Upper Housing	416	Stud
46	Plug	125	Filter Spring Assembly	261	Inlet Screen	417	Slotted Set Screw
47	Gasket Ring	126	Slotted Cheese Head Machine Screw	265	Hex Head Cap Screw	418	Slotted Set Screw
50	O-Ring, Viton	130	Baffle Strainer	266	Lockwasher	419	Spacer
				270	Plug	420	Spacer
						421	Rubber Foot
53	Hex Head Cap Screw	131	Foam Block	271	Gasket Ring	423	Lockwasher
54	Lockwasher	146	Hex Head Cap Screw	275	Oil Return Valve	424	Hex Nut
60	Taper Pin	152	Lockwasher	276	Gasket Ring	430	Name Plate
65	Shaft Key	153	Exhaust Silencer Complete	285	Oil Recirculation Screw	431	Directional Arrow
66	Shaft Key	159	Exhaust Valve Complete	286	Banjo Fitting	432	Busch Logo
75	Pump Exhaust Box	180	Plug	288	Gasket Ring	433	Oil Level Label
78	Sheet Metal Baffle	185	Gasket	288	Gasket Ring	436	Maintenance Label
79	Steel Demister	186	Hex Head Cap Screw	290	Oil Return Line	440	Gas Ballast Valve Complete
83	Oil Sight Glass	187	Lockwasher	291	Hydraulic Fitting, Elbow		
84	Gasket Ring	200	Drum Plug	300	Motor Mounting Bracket		
88	Oil Fill Plug	201	O-Ring, Viton	302	Lockwasher		
89	Gasket Ring	220	Hydraulic Fitting, Straight	303	Hex Nut		
90	Pressure Gauge	221	Hydraulic Fitting, Elbow	310	Coupling Half, Pump Side		
91	Gasket Ring	222	Hydraulic Fitting, Straight	310	Coupling Half, Motor Side		
		223	Hydraulic Fitting, Elbow	310	Coupling Insert, Bowex		



Busch, Inc.  
 516 Viking Drive  
 Virginia Beach, VA 23452  
 Phone: (804) 463-7800

Dwg. No. E 1008 A