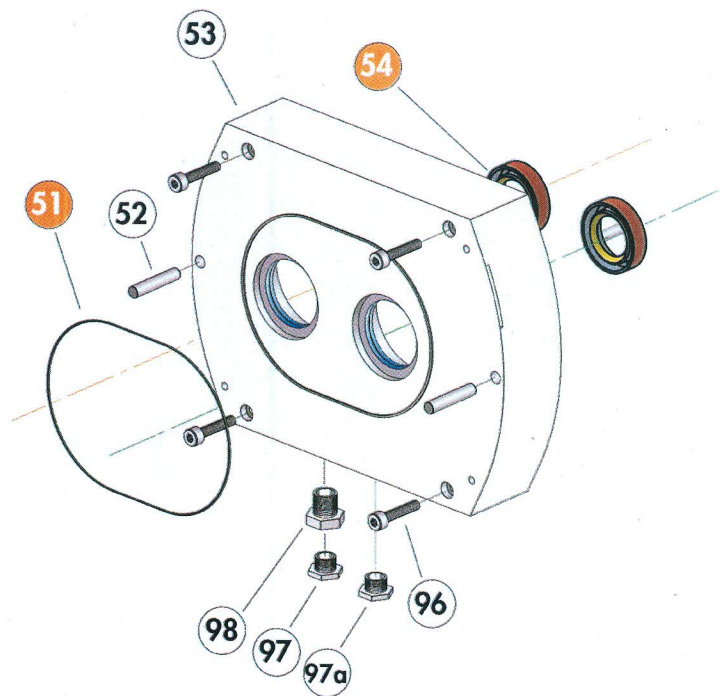


Cooling plate components



Edition 01 - August 09

Rep.	Description	Qty*	P/N	Rep	Description	Qty*	P/N
51	O-Ring 3 x \varnothing 145.55	1/6	Seals kit	96	Screw M 6 x 20	4/40	050149
52	Centering Pin \varnothing 8 x 37	2/2	060268	97	Male plug (L model)	1/5	082930
53	Cooling plate	1/1	106480	97a	Male plug (all models)	1/1	082930
54	Lip seal \varnothing 52 x 38.5 x 8	2/2	Seals kit	98	Male/female RED connector	1/1	081419

* Quantity / Total Quantity