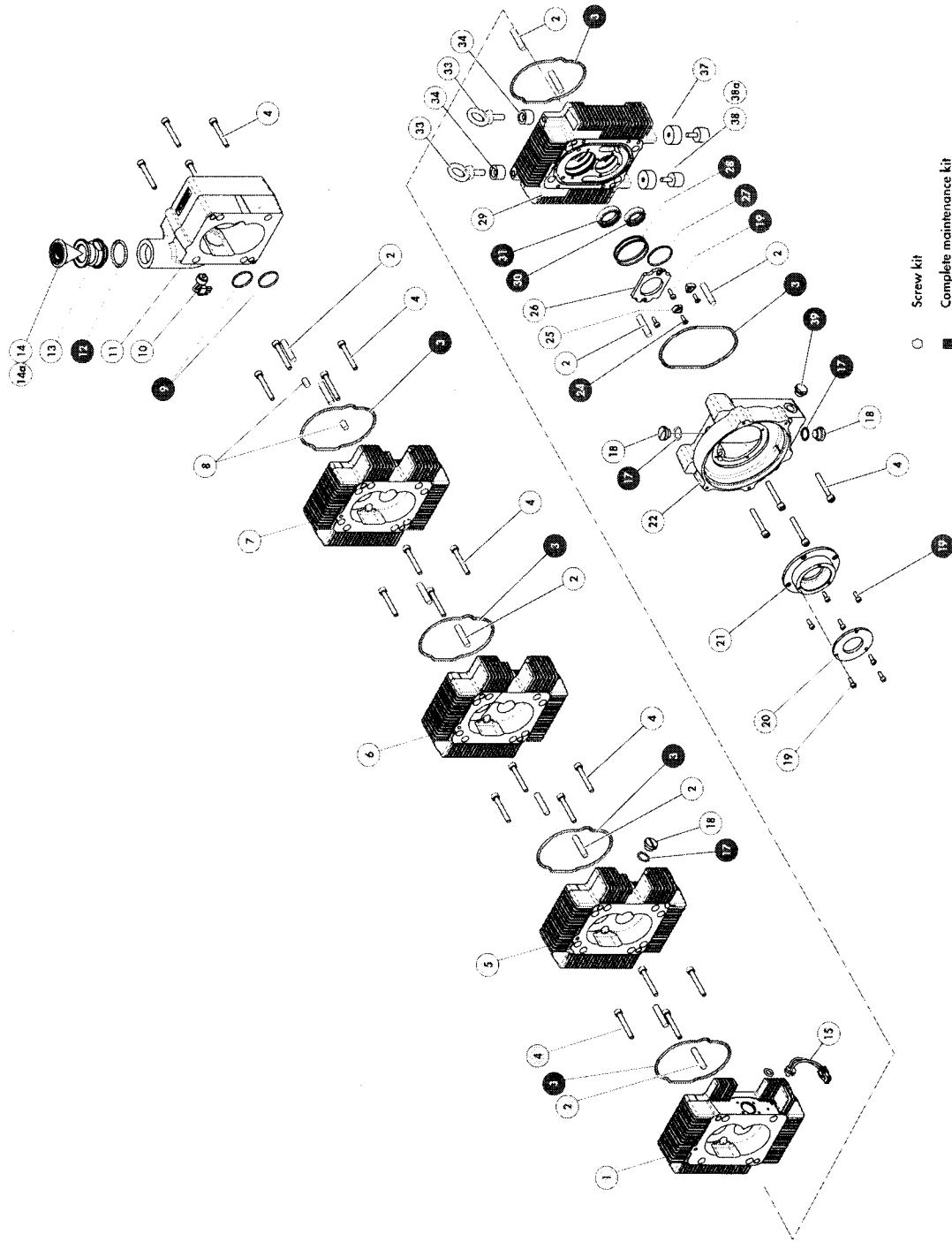


F 60

ACP 28 functional block spare part list



Ref.	Description	Qty*	P/N
1	Exhaust stator	1/1	A110541
2	Centering pin	2/12	060268
3	O-ring C3 Ø101	1/6	■
4	Screw CHc M6-45	4/25	○
5	Transfer stator HP	1/1	A110539
6	Transfer stator BP2	1/1	A110538
7	Transfer stator BP1	1/1	A110537
8	Centering pin Ø8 x 12	2/2	071046
9	O-ring C2 Ø27	2/2	■
10	Temperature sensor (cold)	1/1	A460182
11	Inlet stator	1/1	A110700
12	O-ring DN25 (black) C3,6 D29,3	1/1	■
13	Inlet filling DN25	1/1	065819
14	Conical inlet filler DN25 - 250 µm	1/1	A461949
14a	O-ring DN25	1/1	■
15	Temperature sensor (hot)	1/1	A462231
17	O-ring C1 78 Ø14	1/3	■
18	Plug	3/3	052181
19	Screw CHc M4-12	9/9	■
20	Bearing flange	1/1	102946
21	Bearing housing	1/1	102945
22	Oil casing	1/1	A111107
24	Screw Fhc M4-12	2/2	■
25	Flange sector	2/2	104024
26	Bearing flange	1/1	A328969
27	O-ring C2 Ø47	1/1	■
28	O-ring C2 Ø47	2/2	■
29	Bearing bloc support	1/1	A1109865
30	Double lip seal 20 x 30 x 8	1/1	■
31	Double lip seal 25 x 35 x 8	1/1	■
33	Hoisting ring	2/2	107220
34	Spacer for hoisting ring	2/2	A459748
37	Damper	2/2	A459003
38	Spacer washer	2/2	107160
38a	Oil level sight glass	2/2	A461901
39	Oil level sight glass	1/1	■

[*] Quantity / Total quantity

○ Screw kit
 ■ Complete maintenance kit



F 61

ACP 28 - ACP 40 - ACP 40 G rotor spare part list

Ref.	Description	Qty*	P/N
4	Screw CHc M6-45	1/25	○
19	Screw CHc M4-12	3/12	○
40	Motor rotor washer	1/1	102966
41	Moler	1/1	108946
42	Moler spacer	1/1	A460287
43	Roller bearing	1/1	102948
44	Spacer	1	A329774
45	Set of 2 gear	1/1	A329261
46	Driving gear ring	1/1	102958
47	Bearing 5204	2/2	△
48	Spring washer	1/1	A214863
49	Deflector Ø39	1/1	A214756
49a	Deflector Ø29	2/2	106700
50	Driving shaft ACP 28	1/1	106701
50	Driving shaft ACP 40	10/10	106701
51	Threaded lobe 10 m3	2/2	A458813
52	Threaded lobe 20 m3	2/2	○
53	Ball bearing 6001	3/3	A458835
54	Countersink washer M6x16	2/2	A458834
55	Screw FHc M6-12	12/12	102955
56	Worked pin	2/2	102950
57	Worked lobe 20 m3	12/12	102951
58	Screw CHc M4-50	10/10	102959
59	Worked lobe 10 m3	10/10	△
60	Washer Ø19	1/1	A214877
61	Driven gear ring	1/1	A214757
62	Lubrication plate	2/2	○
63	Screw FS M3-5	1/1	○
64	Ball bearing 5202	3/3	○
65	Spring washer	1/1	○
66	Deflector Ø29	2/2	○
66a	Deflector Ø23	2/2	○
67	Parallel key 5 x 5 x 11	1/1	○
68	Driven shaft ACP 28	1/1	○
68	Driven shaft ACP 40	1/1	○

SR 01343 - Edition 02 - August 04

(*) Quantity / Total quantity

○ Driving shaft (M)

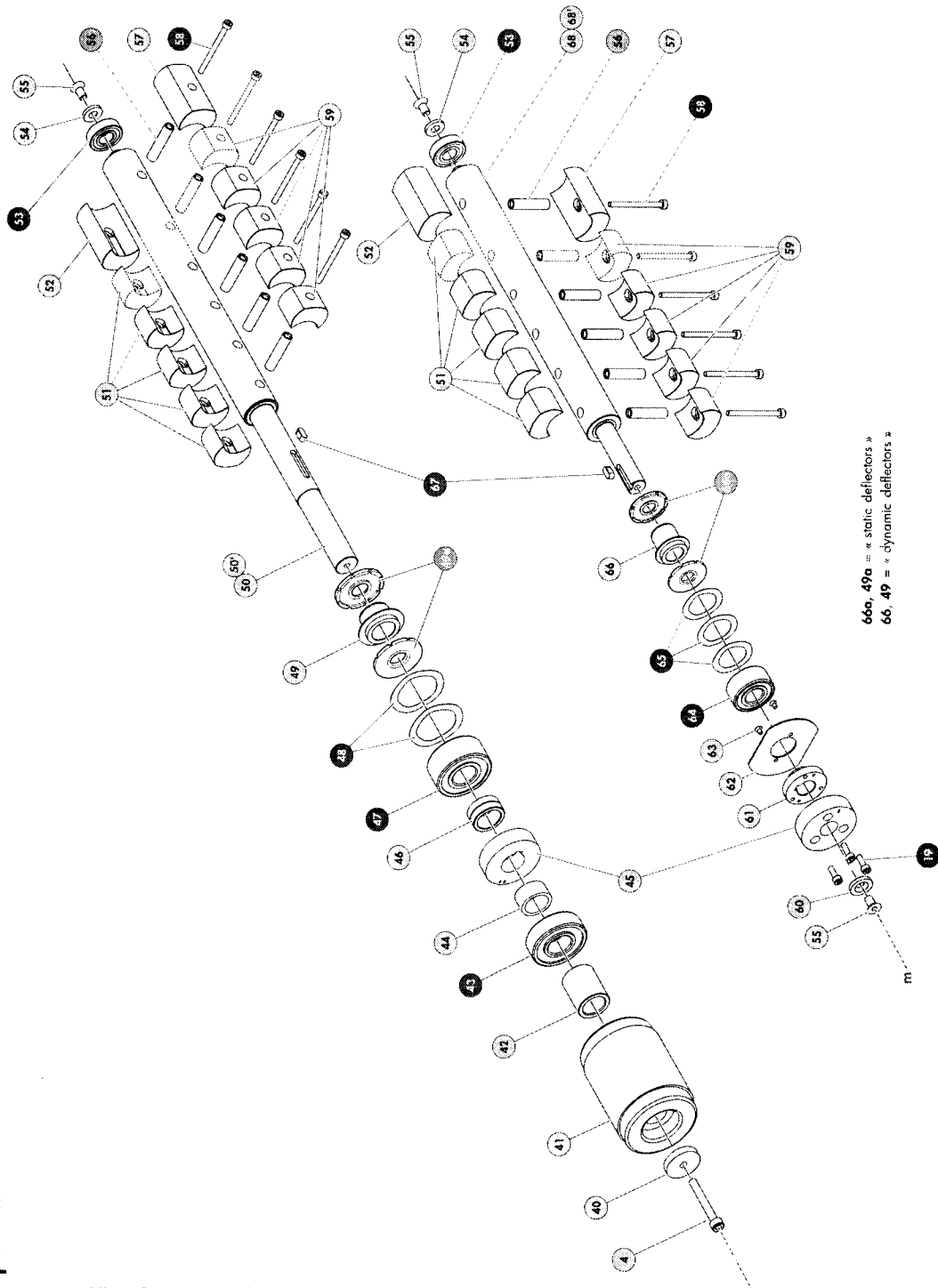
○ Driven shaft (m)

○ Screw kit

■ Complete maintenance kit

○ Pin kit

△ Deflector kit



66a, 49a = « static deflectors »
66, 49 = « dynamic deflectors »

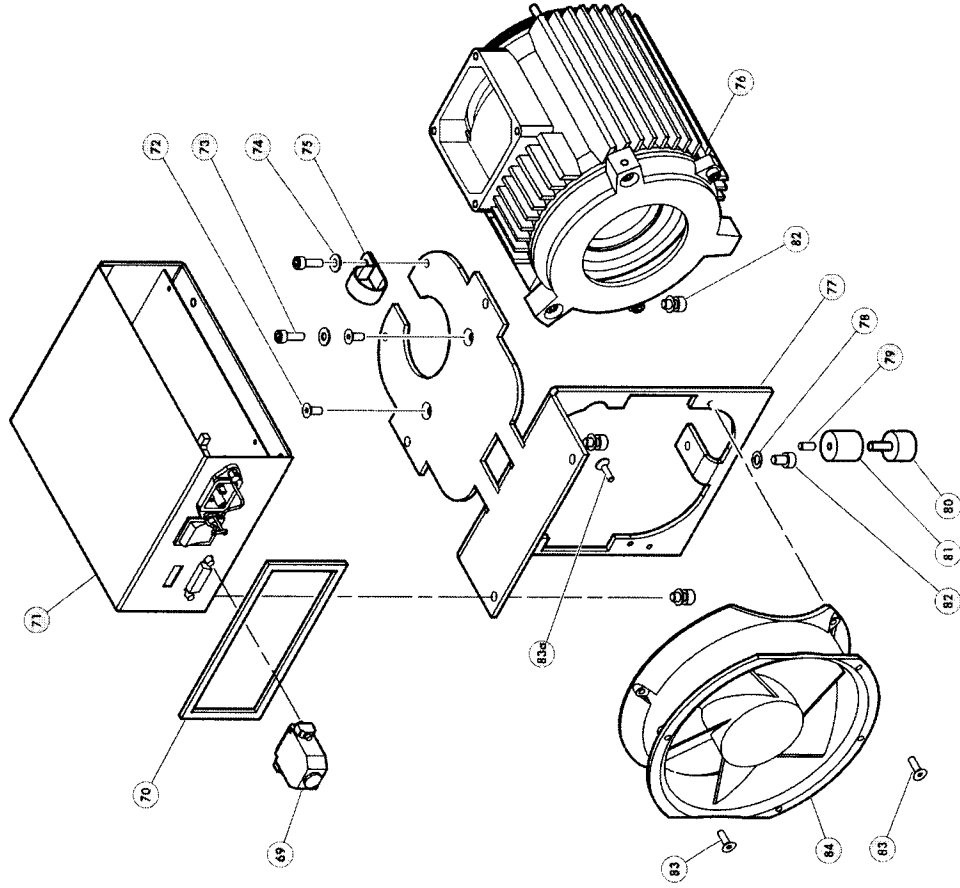
F 62

Motor / variator spare part list



Ref.	Description	Qty*	P/N
69	Variator cover plug	1/1	A460666
70	Variator gasket OEM	1/1	A329486
71	Variator ACP 28	1/1	P0342E1
72	Variator ACP 40	1/1	P0342E4
73	Screw FHc M5-12	2/2	○
74	Screw CHc M5-16	2/2	○
75	Washer M5	2/2	○
76	30 motor (air cooled) ACP28	1/1	109247
77	Cable clamp	1/1	108946
78	Motor support	1/1	A110488
79	Ond. washer Ø6	4/4	○
80	Screw Hc M5-12	1/1	○
81	Damper	1/1	107160
82	Motor support	1/1	A459728
83	Screw CHc M5-10	4/4	○
83a	Screw FHc M4-16	3/3	○
84	Screw CHc M4-12	1/1	○
84	Equipped 24 V fan	1/1	109022
85	Washer M4	1/1	○
*	Ground wire	1/1	A460609
*	Wiring harness	1/1	A329264

○ Screw kit

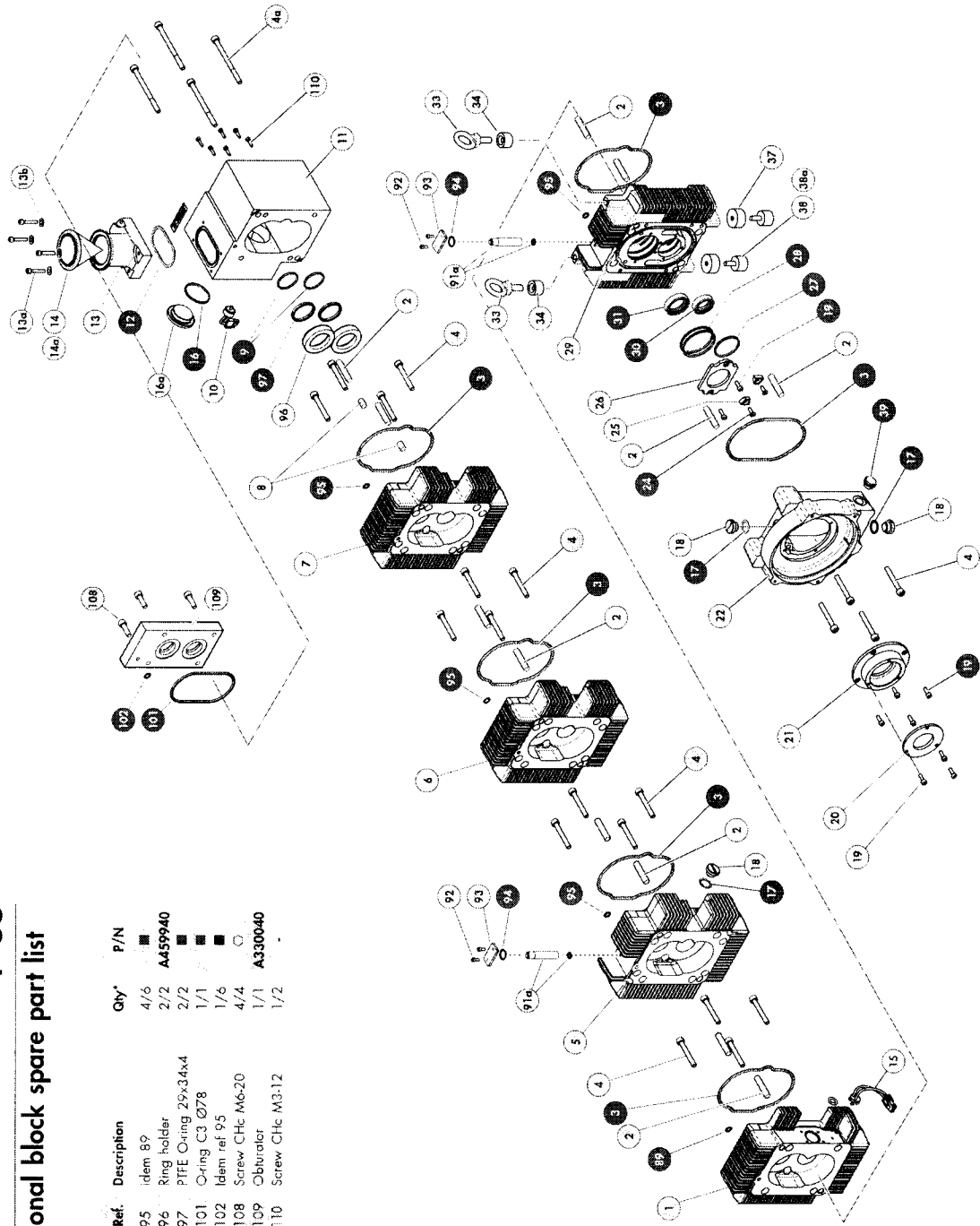




F 65

ACP 40 functional block spare part list

Ref.	Description	Qty*	P/N	Ref.	Description	Qty*	P/N
1	Exhaust stator	1/1	A110541	95	Idem 89	4/6	■
2	Centering pin Ø8 x 37	2/12	A60268	96	Ring holder	2/2	A459940
3	O-ring C3 Ø101	1/6	■	97	PTFE O-ring 29x34x4	2/2	■
4a	Screw CHc M6x45	4/21	○	101	O-ring C3 Ø78	1/1	■
5	Screw CHc M6x80	4/4	○	102	Idem ref 95	1/6	■
6	Transfer stator HP	1/1	A110539	108	Screw CHc M6x20	4/4	○
7	Transfer stator BP2	1/1	A110538	109	Oblurator	1/1	A330040
8	Centering pin Ø8 x 12	2/2	071046	110	Screw CHc M3x12	1/2	■
9	O-ring C2 Ø27	2/3	■				
10	Temperature sensor (cold)	1/1	A460182				
11	Inlet stator	1/1	A111183				
12	O-ring C2 Ø47	1/1	■				
13	Inlet filling DN 40	1/1	A330027				
13a	Screw CHc M4 x 25	4/4	082716				
13b	End. washer	4/4	073458				
14	Conical inlet filter DN 40 - 250 µm	1/1	A462174				
14a	O-ring DN40	1/1	■				
15	Temperature sensor (hot)	1/1	A462231				
16	O-ring C3,6 Ø29,3	1/1	■				
16a	Oblurator	1/1	065821				
17	O-ring C1,78 Ø14	1/3	■				
18	Plug	3/3	052181				
19	Screw CHc M4x12	9/9	■				
20	Bearing flange	1/1	102946				
21	Bearing housing	1/1	102945				
22	Oil casing	1/1	A111107				
24	Screw Fhc M4x12	2/2	■				
25	Flange sector	2/2	104024				
26	Bearing flange	1/1	A328969				
27	O-ring C2 Ø35	1/1	■				
28	Idem ref 12	2/2	■				
29	Bearing block support	1/1	A1109875				
30	Double lip seal 20 x 30 x 8	1/1	■				
31	Double lip seal 25 x 35 x 8	1/1	■				
33	Hoisting ring	2/2	107220				
34	Spacer for hoisting ring	2/2	A459748				
37	Spacer for damper	2/2	A459003				
38	Damper	2/2	107160				
38a	Spacer washer	2/2	A461901				
39	Oil level sight glass	1/1	■				
89	Oil level sight glass	6/6	■				
91a	O-ring C1,5 Ø5,9	2/2	A461350				
92	Equipped plug	4/4	■				
93	Screw CHc M3 x 8	2/2	A459917				
94	Purge cover	2/2	■				



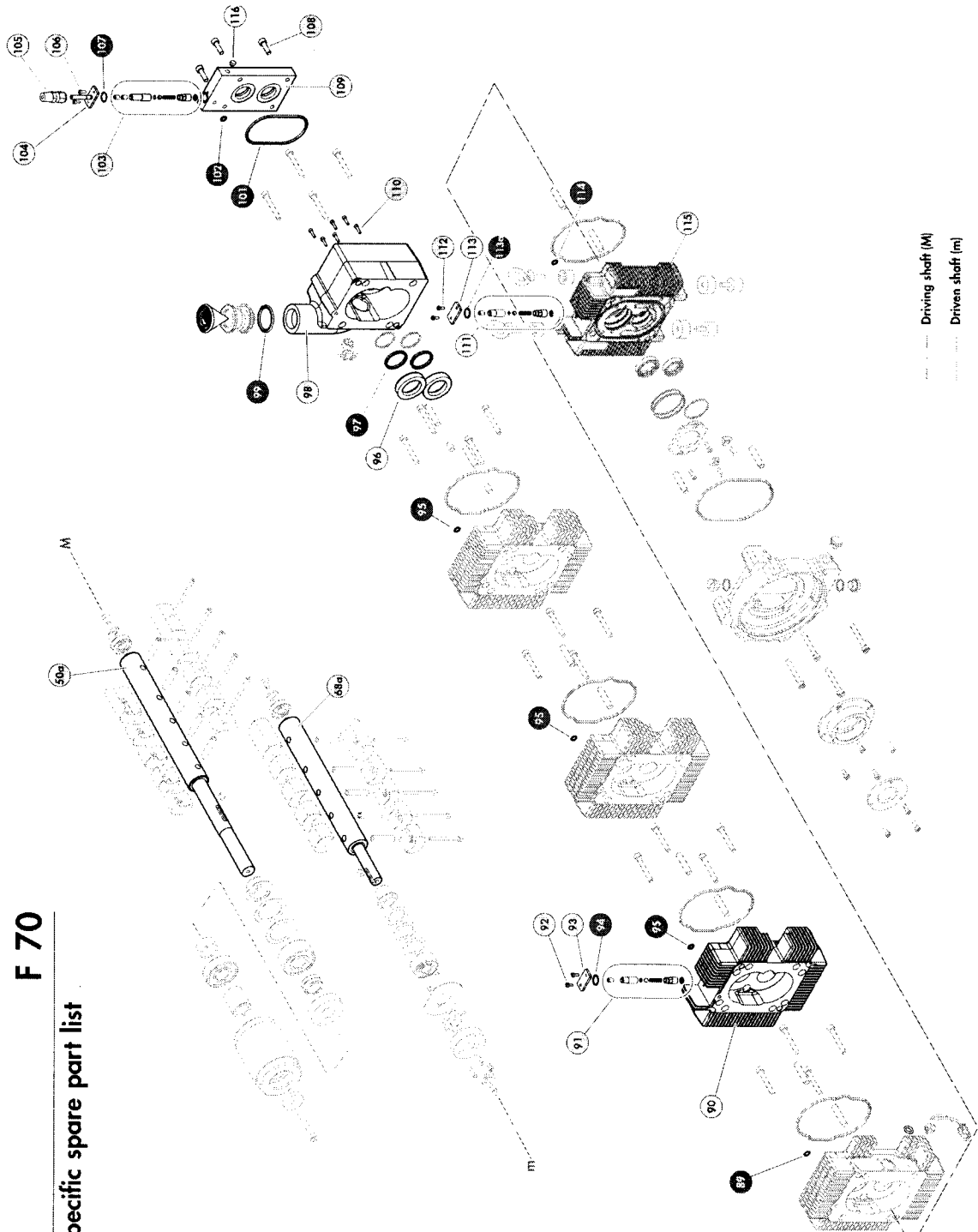
○ Screw kit
 ■ Complete maintenance kit

[*] Quantity / Total quantity



F 70

ACP 28 G specific spare part list



--- Driving shaft (M)
 --- Driven shaft (m)
 ○ Screw kit
 ■ Complete maintenance kit

Ref.	Description	Qty*	P/N
50a	Driving shaft ACP 28 G	1/1	A214864
58a	Driven shaft ACP 28 G	1/1	A214878
89	O-ring C1,5 Ø5,9	1/6	■
90	Transfer stator HP	1/1	A110702
91	Equipped anti-suckback valve: O-ring 2 x Ø4,5	1/2	109354
	Spring support		■
	Spring		■
	Stainless steel ball Ø5,8		■
	O-ring C1 Ø4		■
	Short anti-suckback		■
	Jet Ø0,3		■
92	Screw CHc M3-8	2/6	○
93	Purge cover	1/2	A459917
94	O-ring C1,5 Ø11	1/3	■
95	idem ref 89	3/6	■
96	Centering ring	2/2	A459940
97	PIFE O-ring 29x34x4	2/2	■
98	Inlet stator	1/1	A110701
99	O-ring C3,6 Ø29,3	1/1	■
101	O-ring C3 Ø78	1/1	■
102	idem ref 89	1/6	■
103	Equipped anti-suckback valve: O-ring 2 x Ø4,5	1/1	109473
	Spring support		■
	Spring		■
	Stainless steel ball Ø5,8		■
	O-ring C1 Ø4		■
	Long anti-suckback valve		■
	Jet Ø0,08		■
104	Purge inlet	1/1	A329250
105	Connector	1/1	103211
106	idem ref 92	2/6	■
107	idem ref 94	1/3	■
108	Screw CHc M6-20	4/4	○
109	Injecting plate	1/1	A329301
110	Screw CHc M3-12	6/6	○
111	idem ref 91	1/2	■
112	idem ref 92	2/6	■
113	idem ref 93	1/2	■
113a	idem ref 94	1/3	■
114	idem ref 89	1/6	■
115	Bearing block support ACP 28 G	1	A1109875
116	Plug 1/8 NPT	1/1	082926

(* Quantity / Total quantity)

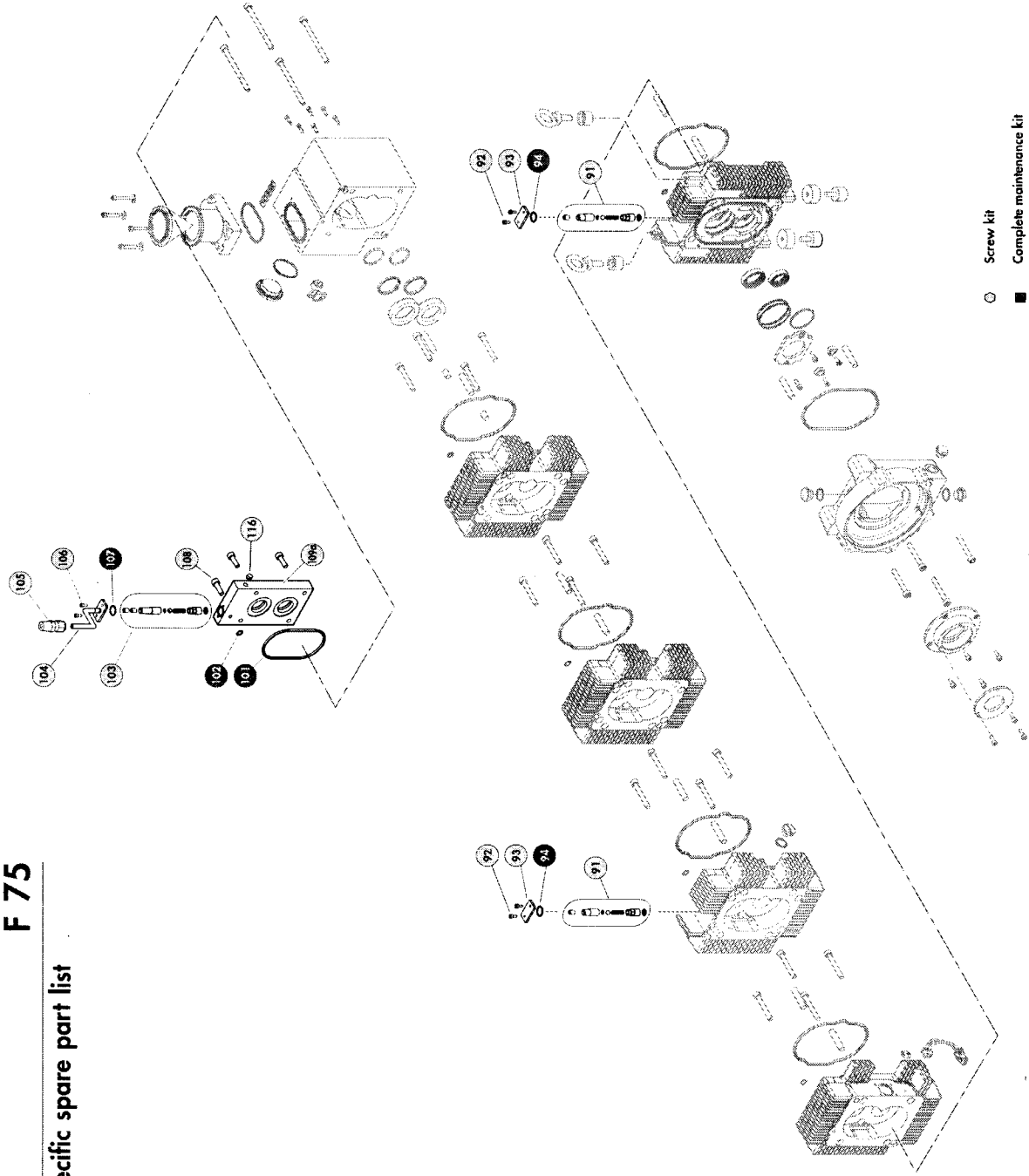


F 75

ACP 40 G specific spare part list

Ref.	Description	Qty*	P/N
91	Equipped anti-suckback valve. O-ring 2 x Ø4,5 Spring support Spring Stainless steel ball Ø5,8 O-ring C1 Ø4. Short anti-suckback Jet Ø0,3	1/2	109354
92	Screw CHc M3-8	4/4	A459917
93	Purge cover	2/2	
94	O-ring C1,5 Ø11	2/3	
101	O-ring C3 Ø78	1/1	
102	O-ring C1,5 Ø5,9	1/1	
103	Equipped anti-suckback valve. O-ring 2 x Ø4,5 Spring support Spring Stainless steel ball Ø5,8 O-ring C1 Ø4	1/1	109473
104	Purge inlet	1/1	A329250
105	Connector	1/1	103211
106	idem ref 92	2/6	
107	idem ref 94	1/3	
108	Screw CHc M6-20	4/4	A329301
109a	Injecting plate	1/1	
116	Plug 1/8 NPT	1/1	082926

(*) Quantity / Total quantity



M

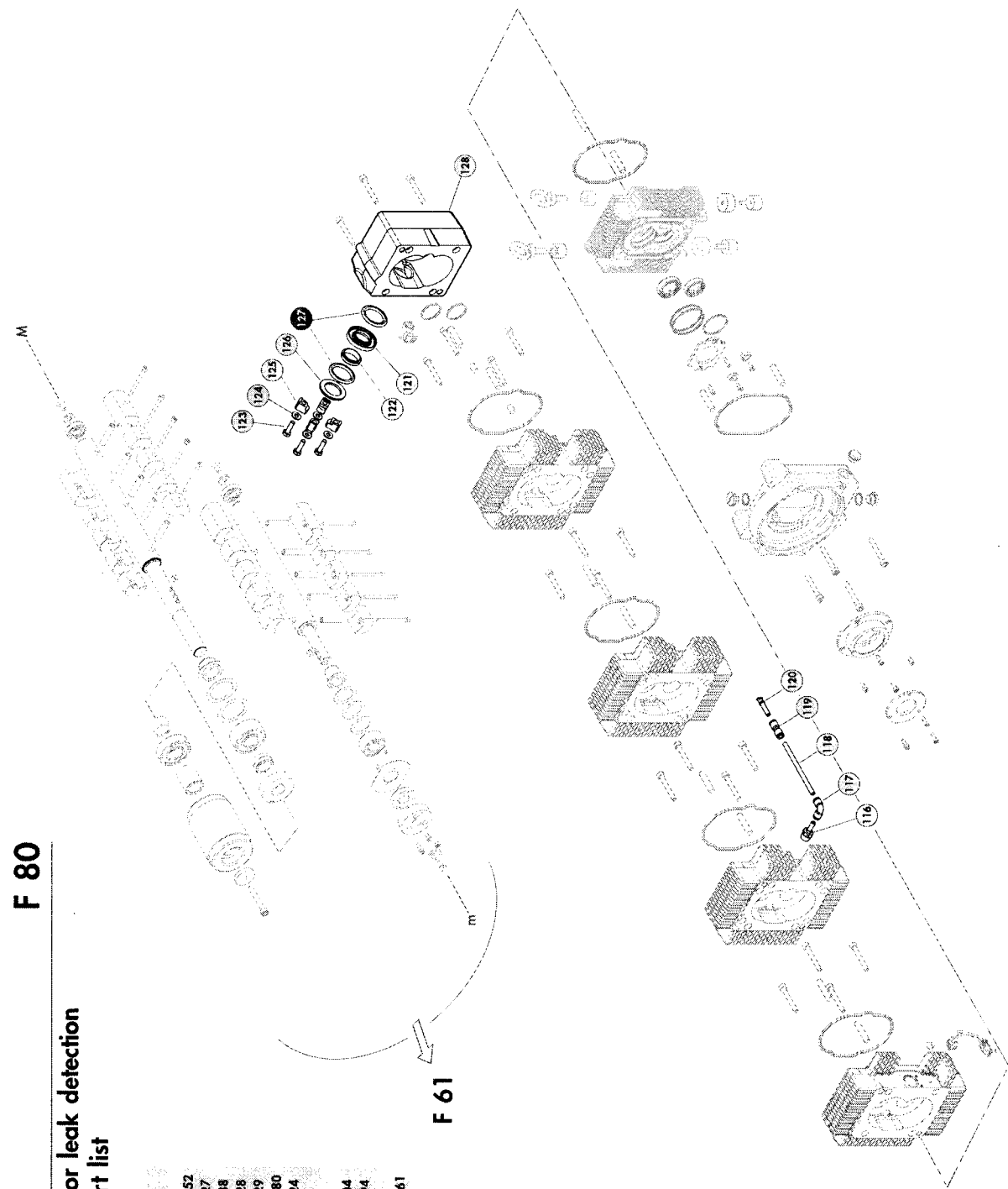
F 80

**ACP 28 for leak detection
spare part list**

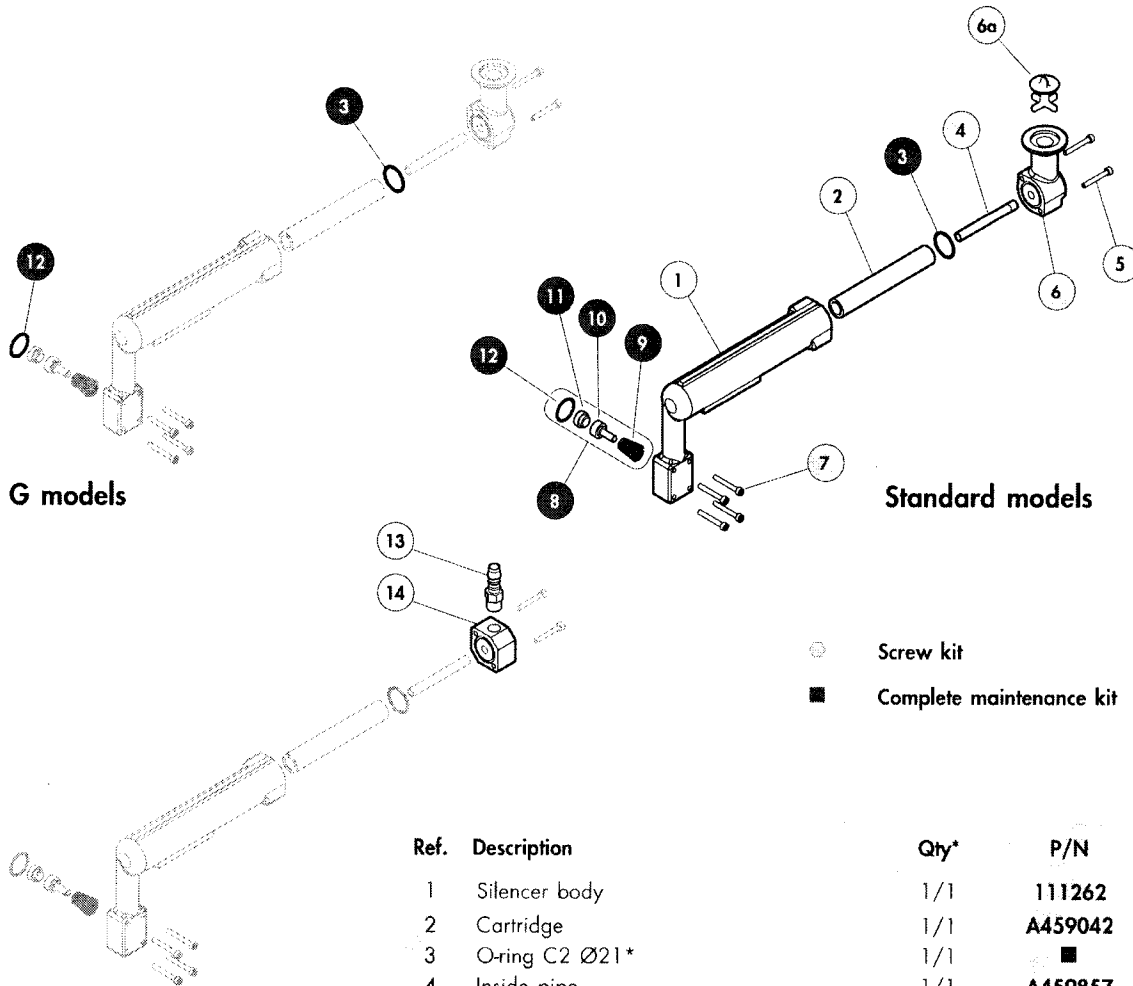
Ref.	Description	Qty*	P/N
116	Right adaptor connector	1/1	A459352
117	Equipped connector	1/1	107727
118	Rilsan pipe	1/1	103638
119	Connector F/F	1/1	107728
120	Plug connector	1/1	107729
121	Adaptor ACP 28	1/1	A460880
122	Centering ring DN25	1/1	068224
123	Screw H M6-25	4/4	○
124	Washer M6	4/4	○
125	Clamp	4/4	068504
126	Blankoff flange DN25	1/1	068594
127	O-ring DN25	2/2	■
128	Inlet stator	1/1	A110561

(*): Quantity / Total quantity

- Driving shaft (M)
- Driven shaft (m)
- Screw kit
- Complete maintenance kit



Silencer spare part list



G models

Standard models

ACP 28 for leak detection

Ref.	Description	Qty*	P/N
1	Silencer body	1/1	111262
2	Cartridge	1/1	A459042
3	O-ring C2 Ø21*	1/1	■
4	Inside pipe	1/1	A459857
5	Screw CHc M4-30	2/6	●
6	Flange	1/1	A329151
6a	Exhaust valve (ACP 28 /40)	1/1	065791
7	Idem ref. 5	4/6	-
8	Valve	1/1	111261
9	- Conical spring	1/1	■
10	- Valve support	1/1	■
11	- Valve	1/1	■
12	- O-ring C1,78 Ø18,77**	1/1	■
13	Connector	1/1	076790
14	Silencer flange	1/1	A329323

* Quantity / Total quantity

**Black for standard and detection models. green for G models

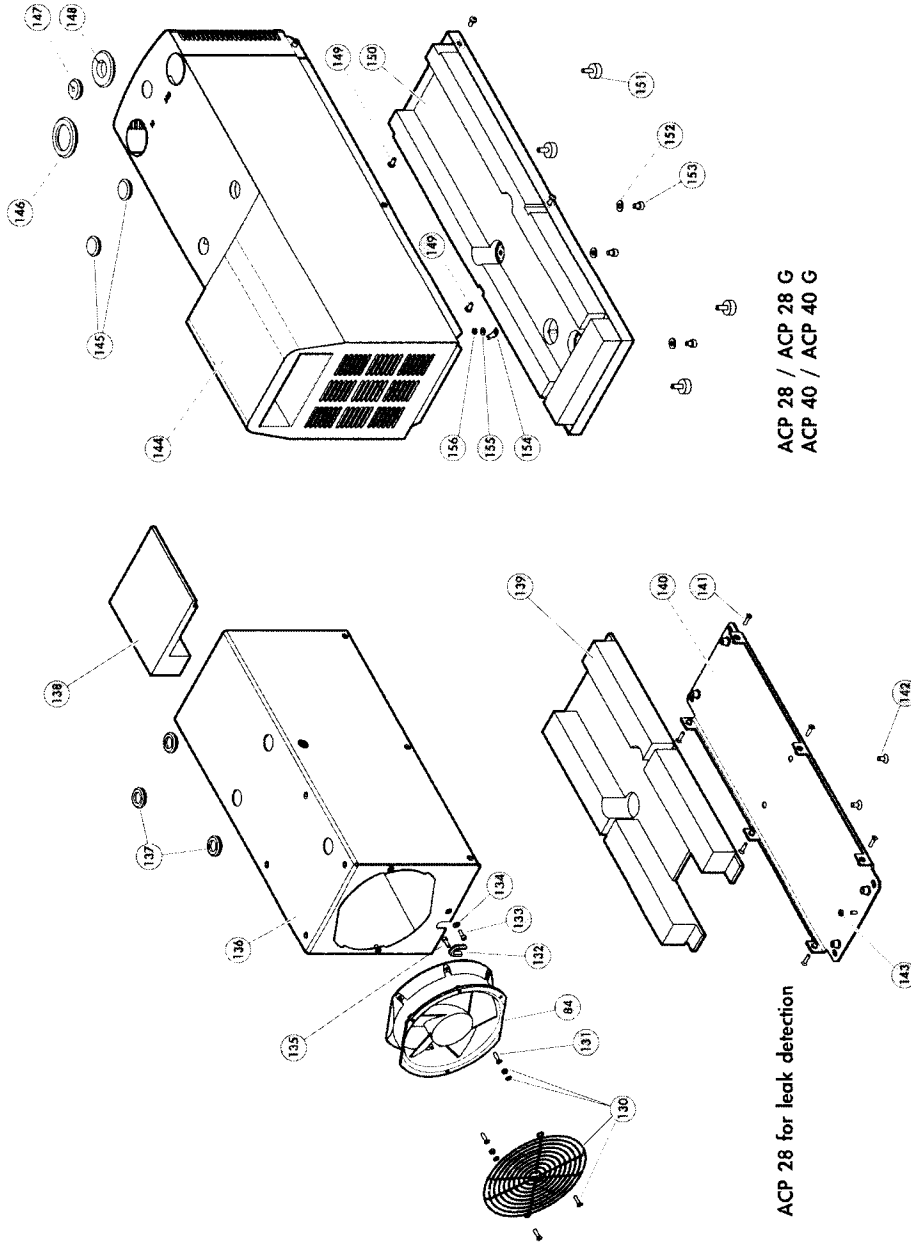
F 100

Cover spare part list

Ref.	Description	Qty	P/N
ACP 28 for leak detection			
84	Equipped 24 V fan	1/1	1090222
130	Fan grid	1/1	105648
131	Screw Fhc M4-M16	2/2	○
132	Protection	1/1	109255
133	Screw CHc M4-12	1/1	○
134	Washer M4	1/1	○
135	Screw CHc M5-12	1/1	○
136	Equipped cover	1/1	A005697
137	Feed through sleeve	3/3	T01962
138	Upper foam protection	1/1	A329696
139	Lower foam protection	1/1	103793
140	Equipped base	1/1	A005698
141	Screw Fhc M4-16	6/6	○
142	Screw Fhc M6-12	2/2	○
143	Nut H M4	1/1	○
Other models			
144	Equipped upper cover ACP 28 / ACP 28 G	1/1	109302
145	Equipped upper cover ACP 40 / ACP 40 G	1/1	110647
146	Plug washer	2/2	A460258
147	Inlet washer ACP 28	1/1	A459745
147	Inlet washer ACP 40	1/1	A459758
147	Spray washer (G models)	1/1	A459747
148	Plug washer (standard models)	1/1	A460258
148	Equipped low washer	1/1	A461085
149	Equipped low washer	4/4	○
150	Screw CBLZ M5-10	1/1	109301
151	Damper	4/4	108469
152	Washer M6	3/3	○
153	Screw CHc M6-8	3/3	○
154	Clip connector 6.35	1/1	109021
155	idem 134	1/1	○
156	idem 143	1/1	○

(*) Quantity / Total quantity

○ Screw kit



ACP 28 / ACP 28 G
ACP 40 / ACP 40 G

ACP 28 for leak detection