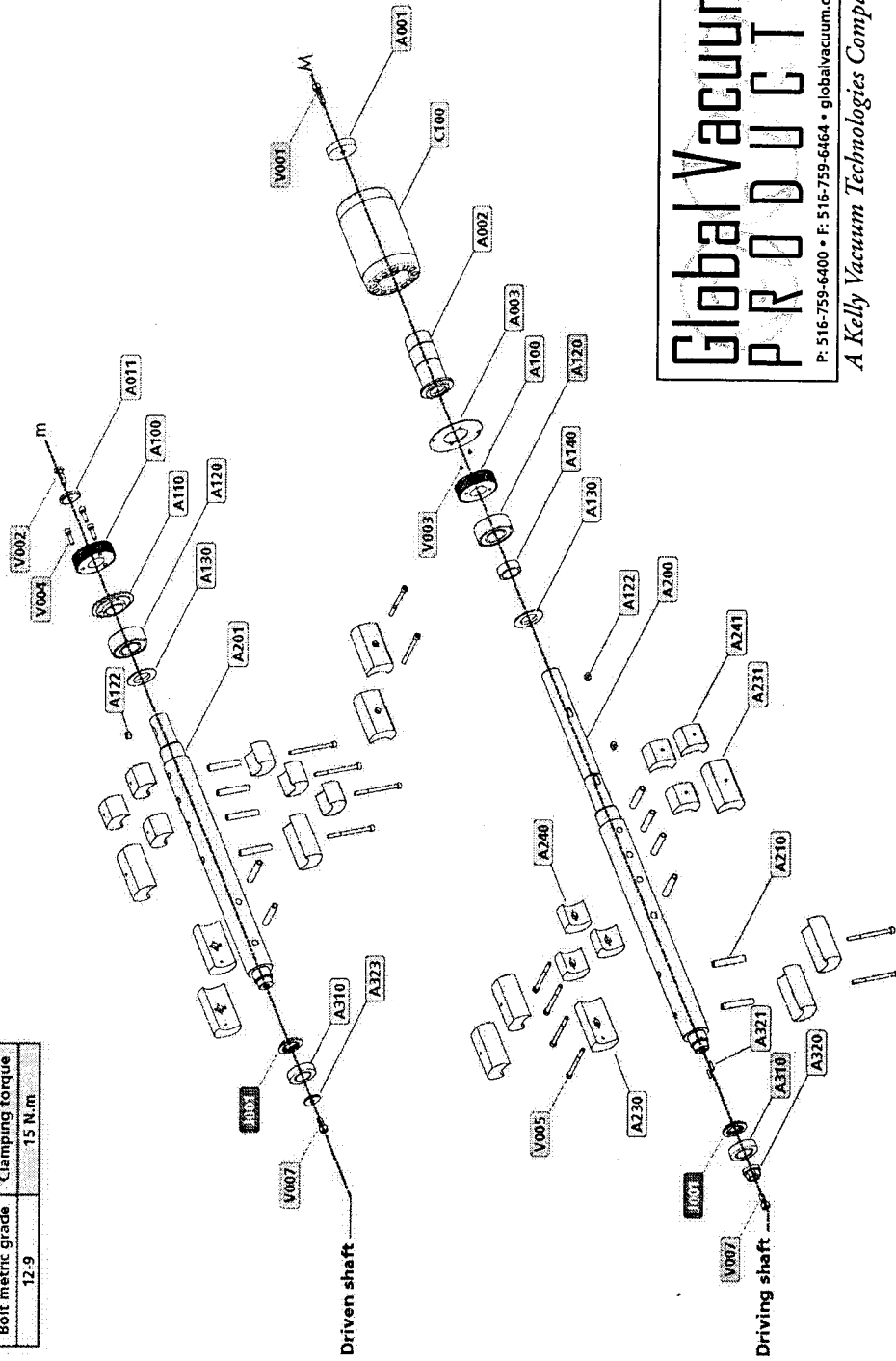


Bolt metric grade	Clamping torque
12-9	15 N.m

Rep.	Description	Qty*	P.N.
Motor rotor parts			
V001	Screw CHc M8 x 2.5 (12-9)	1/1	114860
A001	Rotor clamping washer	1/1	A463756
C100	Motor (stator + rotor) + cylinder liner	1/1	112852
V002	Screw H - M8 x 2.5	2/2	075428
A011	Clamping washer	1/1	105156
A002	Plate support sleeve	1/1	A330809
A003	Lubrication disk	1/1	061951
V003	Screw FS - M3 x 5	2/2	084031
Gears / bearings			
A100	Gears kit	2/2	105155
A110	Driving plate	1/1	105161
V004	Screw CHc - M6 x 20 (12-9)	3/3	107083
A122	Key	3/3	105160
A140	Spacer	1/1	105159
A170	Ball bearing	2/2	Bearing kit
A130	Deflector	2/2	105158
Lobes and shafts			
A200	Driving shaft	1/1	A006155S
A201	Driven shaft	1/1	A111442S
A210	Pin	12/12	A460853
V005	Screw CHc M6 x 80 (12-9)	12/12	112975
A230	Lobe 80	6/6	A329690S
A231	Threaded lobe 80	6/6	A330379S
A240	Lobe 38	6/6	A331032S
A241	Threaded lobe 38	6/6	A331033S
LP stages			
J007	Inverted seal	2/2	Maint. kit
A310	Ball bearing	2/2	Bearing kit
A320	Coupling	1/1	051928
A321	Needle d4 x 15.8	2/2	071052
V007	Screw CHc M8 x 17	2/2	061941
A323	Washer	1/1	060242

* Quantity / Functional block total quantity



**Global Vacuum
PRODUCTS**

P: 516-759-6400 • F: 516-759-6464 • globalvacuum.com

A Kelly Vacuum Technologies Company

Global Vacuum PRODUCTS

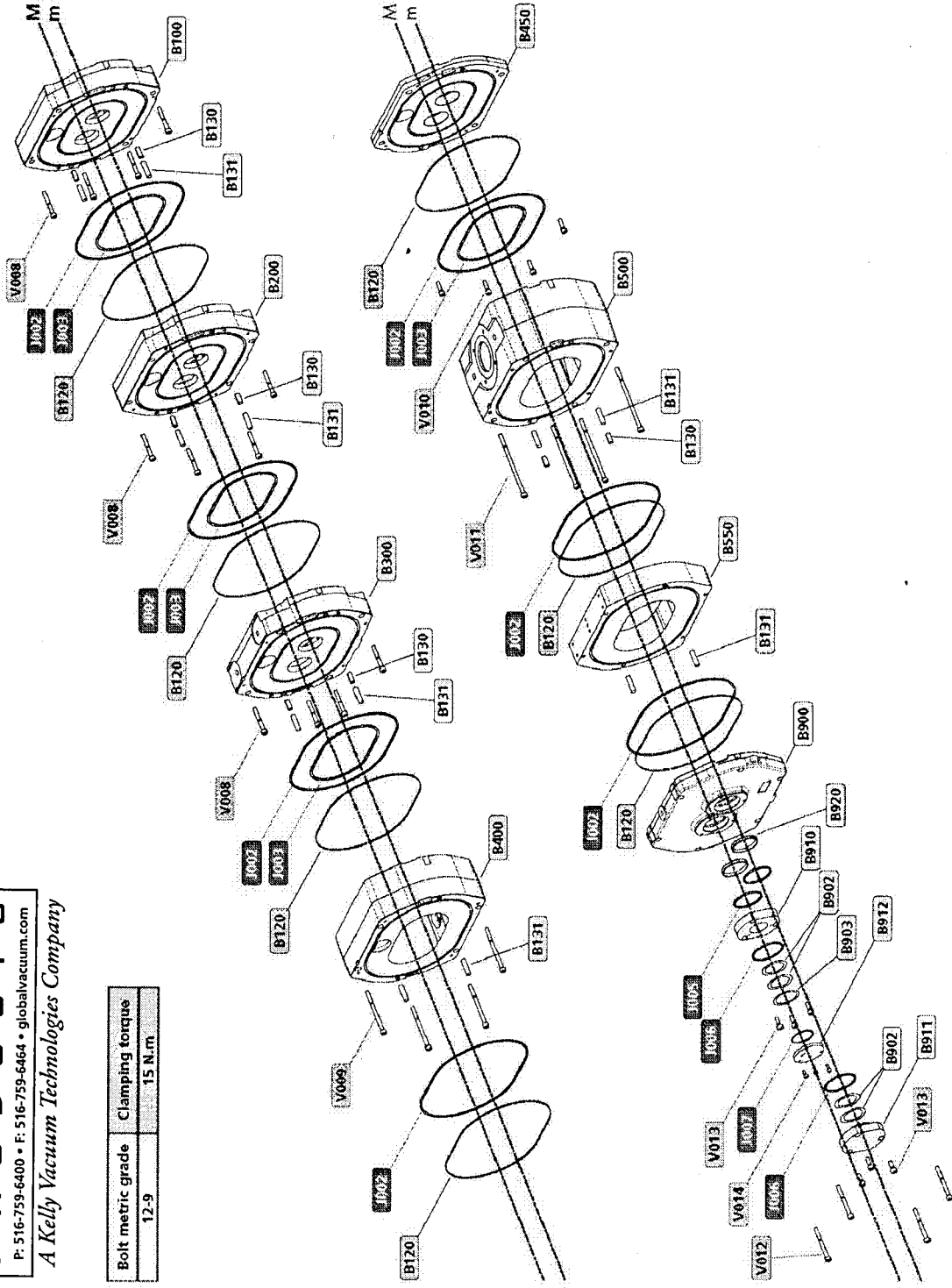
P: 516-759-6400 • F: 516-759-6464 • globalvacuum.com

A Kelly Vacuum Technologies Company

Bolt metric grade	Clamping torque
12-9	15 N.m

Rep.	Description	Qty*	P.N.
B100	HP5 Stator	1/1	A1112255
V008	Screw Chc - M6 x 45 (12-9)	12/12	074047
V009	Screw Chc - M6 x 80 (12-9)	4/4	074048
V010	Screw Chc - M6 x 20 (12-9)	4/16	050149
V011	Screw Chc - M6 x 120 (12-9)	4/4	105898
V012	Screw Chc - M6 x 60 (12-9)	4/4	106387
J002	O-ring c3 x d211.82	9/9	
J003	O-ring c3 x d145.55	6/6	
B120	PTFE barrier	7/8	
B130	Barrier kit	8/10	060208
B131	Centering pin d8 x 30	12/12	060267
B200	HP4 Stator	1/1	A1112245
B300	LP3 Stator	1/1	A1114415
B400	LP2 Stator	1/1	A1114645
B450	LP2 Flange	1/1	A1114655
B500	LP1 Stator	1/1	A1114665
B550	LP extend support	1/1	A1112525
B900	LP Support	1/1	1051485
J005	O-ring c2.5 x d45	2/2	Seals kit
B902	Spring washer	4/4	082502
B903	Washer	2/2	051963
B910	LP Bearing cover	1/1	102916
B911	LP Bearing cover	1/1	102915
B912	End cap	1/1	A329785
V013	Screw Chc - M6 x 16	6/6	082367
V014	Screw Chc - M4 x 10	3/3	084093
J006	O-ring c2.5 x d52	2/2	Seals kit
J007	O-ring c2 x d35	1/1	Seals kit
B920	Friction ring	2/2	102914

* Quantity / Functional block total quantity

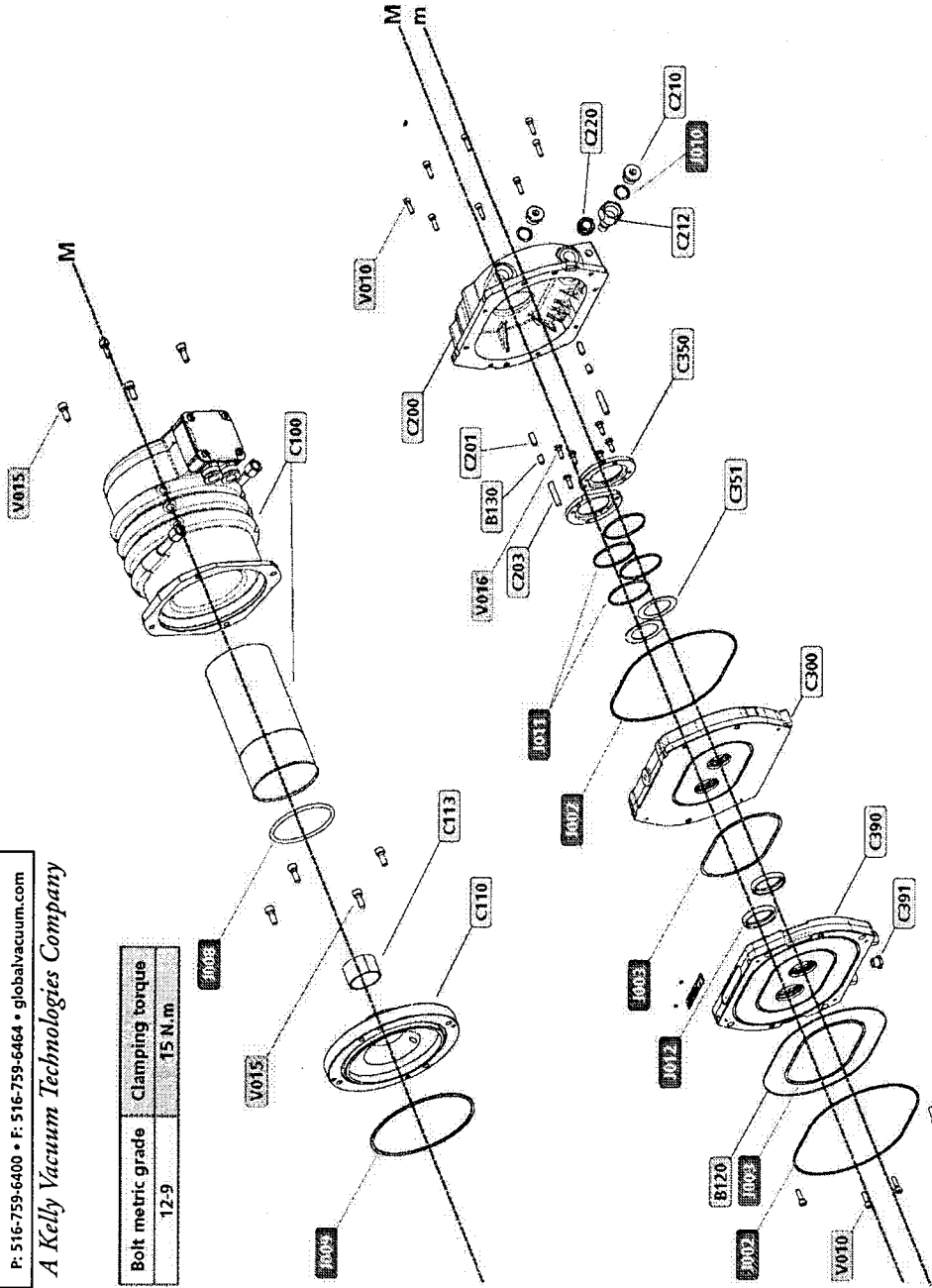


Global Vacuum PRODUCTS

P: 516-759-6400 • F: 516-759-6464 • globalvacuum.com

A Kelly Vacuum Technologies Company

Bolt metric grade	Clamping torque
12-9	15 N.m



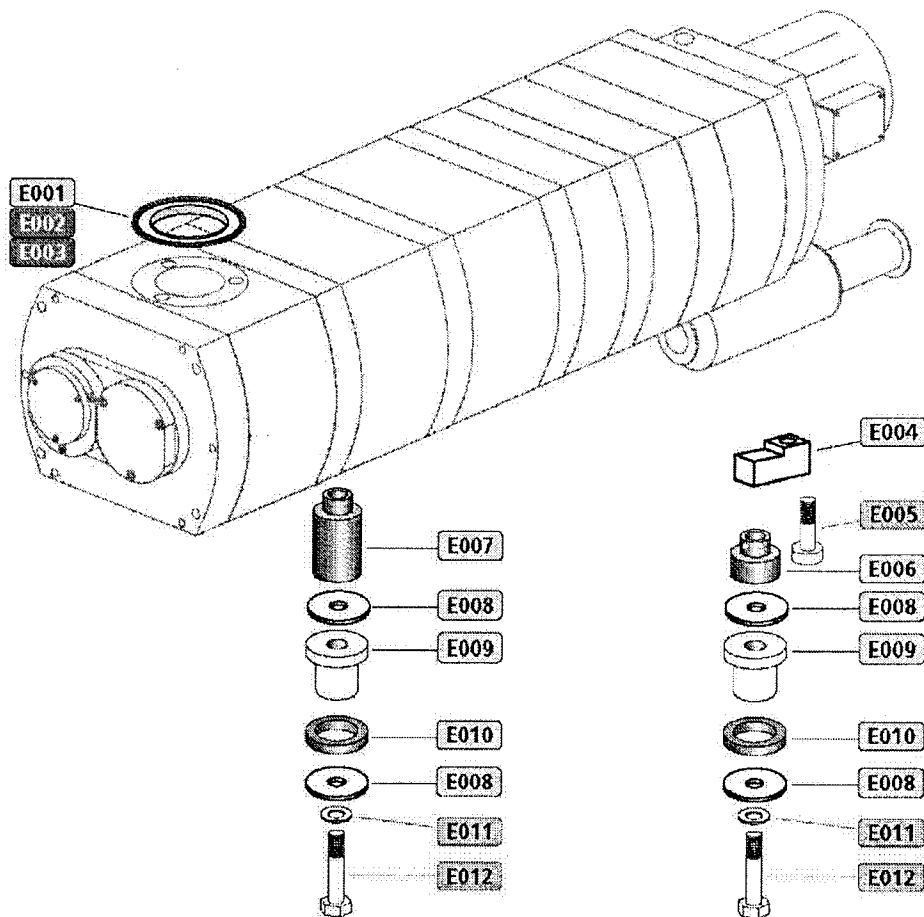
Rep.	Description	Qty*	PN.
C100	Motor (stator + rotor) + cylinder liner	1/1	112852
V015	Screw Chc. - M8 x 20	8/8	075514
J008	O-ring c5.33 x d91.44	1/1	Seals kit
C110	Motor flange	1/1	A111254
C113	Spacer	1/1	111963
J009	O-ring c4 x d150	1/1	Seals kit
V010	Screw Chc. - M6 x 20 (12-9)	12/16	050149
C200	Gearbox casing	1/1	1051515
C201	Needle d8 x 12	2/2	071046
B130	Specific spacer	2/10	060208
C203	Centering pin d8 x 37	2/2	060268
C210	Plug connector B 1/2	2/2	076791
J010	O-ring c2.7 x d18.4	2/2	Seals kit
C212	Drain pipe	1/1	100046
C220	Oil sight glass	1/1	106897
C350	HP bearing	1/1	1059615
C300	HP bearing clamping flange	2/2	105157
V016	Screw H. - M6 x 16	6/6	114859
J011	O-ring c2.5 x d60	4/4	Seals kit
C351	HP ball bearing flange	2/2	106620
J002	O-ring c3 x d211.82	9/9	Seals kit
J003	O-ring c3 x d145.55	6/6	Seals kit
J012	Leap seal d52 x 38.5 x 8	2/2	Seals kit
C390	Cooling plate	1/1	A111252S
C391	RED male / female plug	1/1	081419
B120	PTFE barrier	1/8	Barrier kit

* Quantity / Functional block total quantity

Global Vacuum PRODUCTS

P: 516-759-6400 • F: 516-759-6464 • globalvacuum.com

A Kelly Vacuum Technologies Company



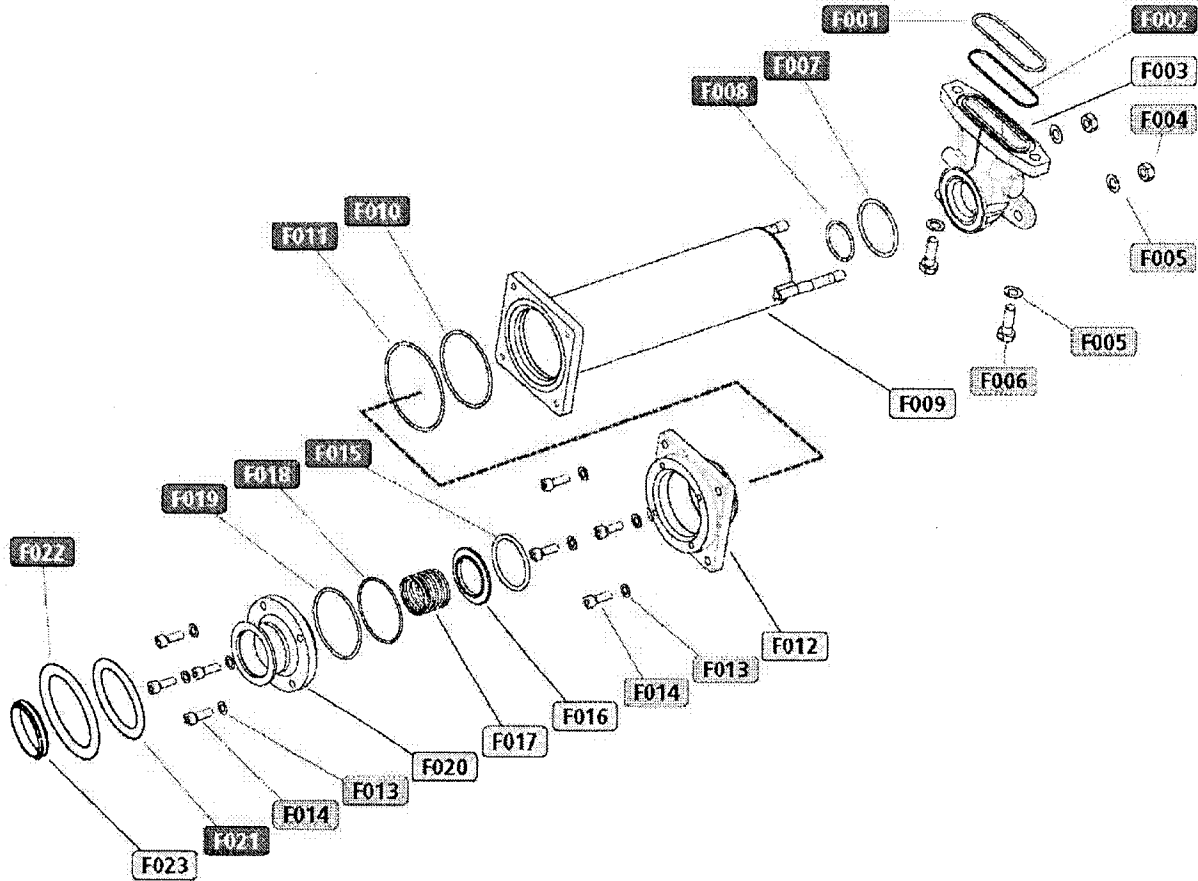
Rep.	Description	Qty*	P/N
E001	DN 50 centering ring	1/1	A460884
E002	O-ring c 2.62 d 56.82	1/1	Maint. kit
E003	PTFE barrier d 50.00	1/1	Maint. kit
E004	Clamp	1/2	A463261
E005	Screw CHc M10-30	1/2	-
E006	Short support leg	1/2	A462724
E007	Support leg	1/4	106293
E008	Shock absorber washer	4/12	061961
E009	Rubber support	2/6	076111
E010	Spacer	2/6	106295
E011	Onduflex washer Ø 10	2/6	-
E012	Screw H M10-50	2/6	-

* Quantity / Total quantity

Global Vacuum PRODUCTS

P: 516-759-6400 • F: 516-759-6464 • globalvacuum.com

A Kelly Vacuum Technologies Company



Rep.	Description	Qty*	P/N	Rep.	Description	Qty*	P/N
F001	O-ring c 2.62 d 56.82	1/1	Maint. kit	F016	Anti-suckback valve	1/1	A459472
F002	PTFE barrier d 56.00	1/1	Maint. kit	F017	Spring	1/1	066851
F003	Exhaust elbow	1/1	A110485	F018	O-ring c 1.90 d 51.00 FEP	1/1	Maint. kit
F004	Nut HM 8 5.8	2/2	071214	F019	O-ring c 2.50 d 54.00	1/1	Maint. kit
F005	Onduflex washer Ø 8	4/4	073455	F020	Horl. exhaust pipe (A803H)	1/1	A329055
F006	Screw HM8-25 6.8	2/2	-		Horl. exhaust pipe (A1503/1803H)	1/1	A329054
F007	O-ring c 2.50 d 29.00 FEP	1/1	Maint. kit	F021	PTFE barrier DN40	1/1	Maint. kit
F008	O-ring c 3.00 d 41.00	1/1	Maint. kit	F022	O-ring DN32/40	1/1	Maint. kit
F009	Silencer cylinder	1/1	A111601	F023	Centering ring	1/1	A460637
F010	O-ring c 2.50 d 59.00 FEP	1/1	Maint. kit				
F011	O-ring c 2.50 d 66.00	1/1	Maint. kit				
F012	Baffle plate	1/1	A215533				
F013	Onduflex washer Ø 6	8/8	073454				
F014	Screw CHC M6-16 8.8	8/8	075509				
F015	O-ring MSE	1/1	Maint. kit				

* Quantity / Total quantity

Silencer standard exchange (rep.1 to 23)	114361S
---	----------------