

MODEL 900-009-002 (11 CFM) ROTARY VANE TYPE VACUUM PUMP
900-009-241 (11 CFM) SPECIAL SERVICE ROTARY VANE TYPE VACUUM PUMP
Serial No.

009-002 LOT NO. SC -79345 TO
009-241 LOT NO. SC-78928 TO

NOTE FOR -241 PUMPS ONLY: When ordering parts for your Rotary Vane Pump, please specify that your pump is being used for Special Service.

SYM	QTY	PART NO	DESCRIPTION
	1*+	429-319-1	Minor Servicing Replacement Parts Kit Consists of:-
1	3		Exhaust Valve
2	3		Exhaust Valve Springs
3	2		"O" Ring (Fill & Drain Plug)
4	1		"O" Ring (Gas Ballast)
5	1		Gas Ballast Valve Disc
6	1		"O" Ring (Inlet Screen)
7	1		Reservoir Gasket
	1*+	429-320-1	Major Servicing Replacement Parts Kit Consists of:
8	1		Bushing (End Plate)
9	1		Oil Seal (End Plate)
10	1		Bushing (Front Plate)
11	2		Oil Seal (Front Plate)
12	1		Bushing (Interstage Plate)
13	1		"O" Ring (Gas Ballast)
14	1		"O" Ring (Gas Ballast)
15	1		"O" Ring (Gas Ballast)
15A	1		Orifice (Gas Ballast)
16	1		"O" Ring (Support Housing)
17	1		"O" Ring (Inlet Flange)
18	1		Gerotor Drive Pin
20	1		Rotor Key
21	1		"O" Ring, Oil Feed, Valve Disc
23	1		Spring (Oil Feed, End Plate)
24	1		Ball, (Oil Feed, End Plate) (Old Style Kit)
25	2		1st Stage Vane
26	2		2nd Stage Vane
27	5		Spring (1st & 2nd Stage Vane)
28	1		Spider (For Coupling)
30	1*+	D-428-658-1	Module Ass'y
31	1	F-427-996-2	Support Housing
31C	2	B-428-824-1	Support Housing Foot
32	4	085-039-018	Rubber Bumper
33	1	D-427-739-2	Front Plate

***RECOMMENDED SPARE PART**
+PARTS NORMALLY STOCKED

MODEL 900-009-002 (11 CFM) ROTARY VANE TYPE VACUUM PUMP
900-009-241 (11 CFM) SPECIAL SERVICE ROTARY VANE TYPE VACUUM PUMP

Serial No.

009-002 LOT NO. SC -79345 TO

009-241 LOT NO. SC-78928 TO

NOTE FOR -241 PUMPS ONLY: When ordering parts for your Rotary Vane Pump, please specify that your pump is being used for Special Service.

SYM	QTY	PART NO	DESCRIPTION
34	1	D-427-741-2	1st Stage Stator
35	1	C-427-742-2	Interstage Plate
36	1	D-427-743-2	2nd Stage Stator
37	1	C-427-967-4	End Plate
38	1	F-428-108-1	Reservoir
40	1	A-428-821-1	Coupling
41	1	D-600-010-001	Rotor, 1st Stage
42	1	D-600-004-001	Rotor, 2nd Stage
43	1	085-039-206	Gerotor Assembly
44	1	C-429-938-1	Gerotor Cover
45	2	B-428-228-2	Side Cover
48	1	B-428-816-1	Inlet Screen Assembly
49	1	B-428-819-1	Inlet Flange
50	1	B-428-819-1	Exhaust Flange
51	1	B-428-813-1	Exhaust Valve Cover Ass'y
52	1	B-428-116-1	Gas Ballast Valve Cap (Optional)
52A	1	085-040-408	Gas Ballast Valve Cap (Standard)
53	1	B-428-117-1	Gas Ballast Valve Body (Optional)
53A	1	B-430-183-002	Gas Ballast Valve Body (Standard)
54	1	A-428-227-1	Gas Ballast Tube
56	1	A-429-935-7	Valve Cap
58	1	075-033-472	Plug (Fill)
59	1	075-033-472	Plug (Drain)
61	1	085-039-324	Sight Glass
62	1	A-429-936-1	Spring Guide
63	1	A-430-184-3	Leaf Spring
Standard Svc.	1**	085-039-402	Oil, "V" Lube, "J" (1 Gallon) (Standard Service Only)
Standard Svc.	1**	085-039-403	Oil, "V" Lube, "J" (1 Quart) (Standard Service Only)
Oxygen Svc.	1**	085-045-742	Oil, "Y" Lube 25/6 (Special Service Use) (1 Gallon)

REFERENCE DRAWINGS

A-428-133-4
B-0-327

Hydraulic Diagram
Exploded Parts Diagram

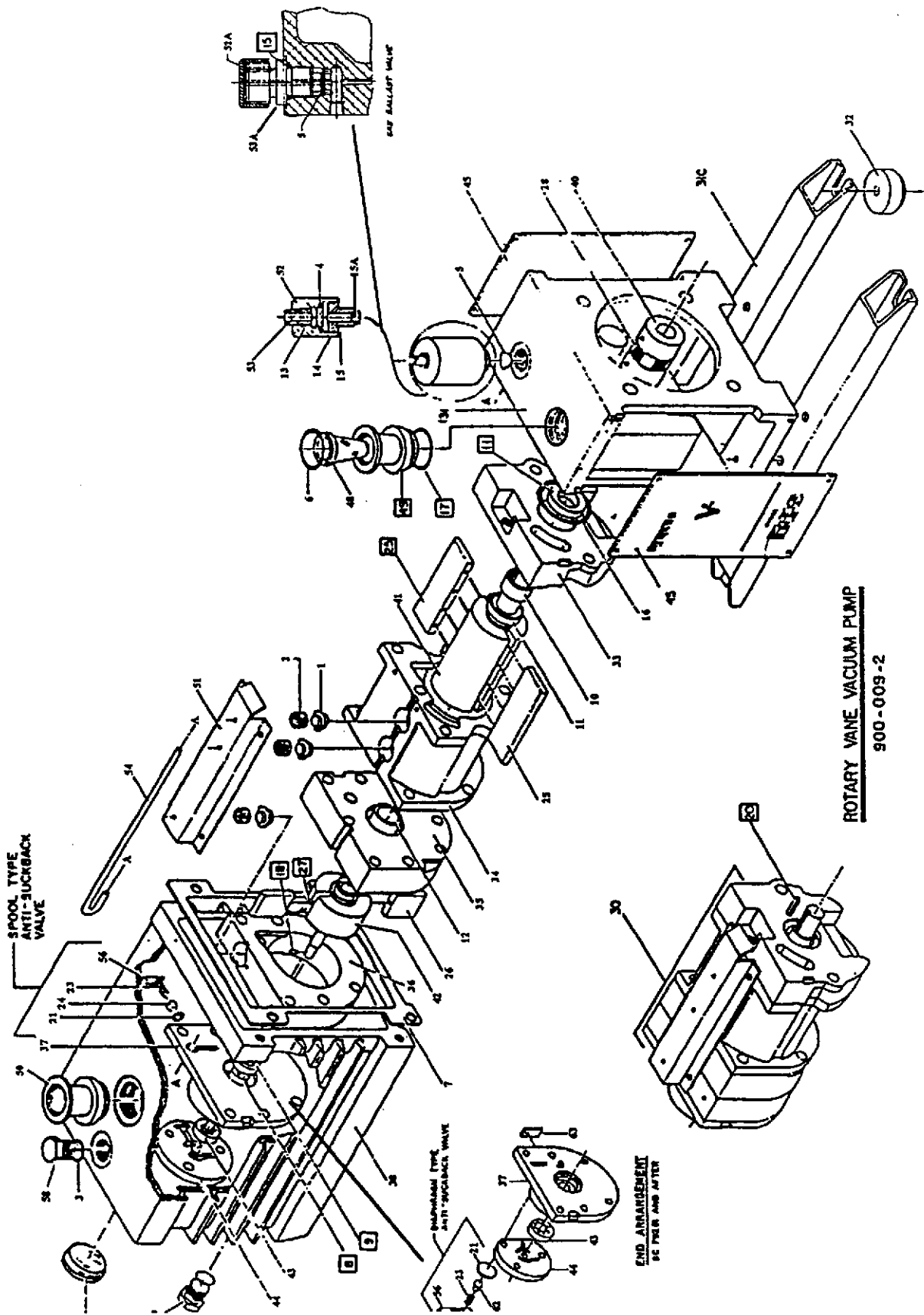
***RECOMMENDED SPARE PART**

+PARTS NORMALLY STOCKED

• RECOMMENDED SPARE PART FOR SPECIAL SERVICE USE

Revision 1.8
 EC435404
 1-28-94
 RJJ:rtf

File #D:\PARTS\LIST\COMPONENTS\F.PMS



MODEL 900-013-002 (20 CFM) ROTARY VANE TYPE VACUUM PUMP
 900-013-241 (20 CFM) SPECIAL SERVICE ROTARY VANE TYPE VACUUM PUMP
 Serial No.

013-002 LOT NO. SC -79346 TO

013-241 LOT NO. SC-79390 TO

NOTE FOR -241 PUMPS ONLY: When ordering parts for your Rotary Vane Pump, please specify that your pump is being used for Special Service.

SYM	QTY	PART NO	DESCRIPTION
	1*+	424-076-1	Minor Servicing Replacement Parts Kit Consists of:-
1	4		Exhaust Valve
2	4		Exhaust Valve Springs
3	1		"O" Ring (Fill Plug)
3A	1		"O" Ring (Drain Plug)
4	1		"O" Ring (Gas Ballast)
5	1		Gas Ballast Valve Disc
6	1		"O" Ring (Inlet Screen)
7	1		Reservoir Gasket
	1*+	424-077-1	Major Servicing Replacement Parts Kit Consists of: -
8	1		Bushing (End Plate)
9	1		Oil Seal (End Plate)
10	2		Bushing (Front & Interstage Plate)
11	2		Oil Seal (Front Plate)
13	1		"O" Ring (Gas Ballast)
14	1		"O" Ring (Gas Ballast)
15	1		"O" Ring (Gas Ballast)
16	1		"O" Ring (Support Housing)
17	1		"O" Ring (Inlet Flange)
18	1		Gerotor Drive Pin
19	1		Ball (Filter Relief Valve)
20	1		Rotor Key
21	1		Valve Disc (Oil Feed)
23	1		Spring (Oil Feed, End Plate)
24	1		Spring (Filter Relief Valve)
25	2		1st Stage Vane
26	2		2nd Stage Vane
27	6		Spring (1st & 2nd Stage Vane)
28	1		Spider (For Coupling
30	1*+	D-428-656-1	Module Ass'y
31	1	F-428-831-1	Support Housing
31B	1	C-600-629-003	Housing Foot LH
31C	1	C-600-629-004	Housing Foot RH
32	4	085-039-018	Rubber Bumper
33	1	D-427-267-3	Front Plate

*RECOMMENDED SPARE PART
 +PARTS NORMALLY STOCKED

MODEL 900-013-002 (20 CFM) ROTARY VANE TYPE VACUUM PUMP
 900-013-241 (20 CFM) SPECIAL SERVICE ROTARY VANE TYPE VACUUM PUMP
 Serial No.

013-002 LOT NO. SC -79346 TO

013-241 LOT NO. SC-79390 TO

NOTE FOR -241 PUMPS ONLY: When ordering parts for your Rotary Vane Pump, please specify that your pump is being used for Special Service.

SYM	QTY	PART NO	DESCRIPTION
34	1	D-427-268-2	1st Stage Stator
35	1	C-427-269-3	Interstage Plate
36	1	D-427-270-3	2nd Stage Stator
37	1	C-427-271-4	End Plate
38	1	F-427-284-2	Reservoir
39	1	C-428-241-1	Fan
40	1	A-427-642-2	Coupling
41	1	D-600-026-001	Rotor, 1st Stage
42	1	D-600-027-001	Rotor, 2nd Stage
43	1	085-039-291	Gerotor Assembly
44	1	C-429-926-2	Gerotor Cover
45	2	B-427-719-4	Side Cover
46	1*+	A-429-640-001	Oil Filter
47	1	A-427-725-1	Oil Filter Thd. Tube
48	1	B-427-636-1	Inlet Screen Assembly
49	1	B-427-645-1	Inlet Flange
50	1	B-428-224-1	Exhaust Flange
51	1	B-428-724-1	Exhaust Valve Cover Ass'y
52	1	B-428-116-1	Gas Ballast Valve Cap (Optional)
52A	1	085-040-408	Gas Ballast Valve Cap (Standard)
53	1	B-428-117-1	Gas Ballast Valve Body (Optional)
53A	1	B-430-183-002	Gas Ballast Valve Body (Standard)
54	1	A-428-222-1	Gas Ballast Tube
55	1	A-428-221-1	Oil Tube
56	2	A-429-923-3	Valve Cap
57	1	A-429-924-1	Spring Guide
58	2	075-033-472	Plug (Fill)
60	1	B-428-661-1	Oil Slinger
61	1	085-037-922	Sight Glass, Window Type
61A	1	085-039-900	Sight Glass, (Polycarbonate)
62	1	A-429-004-1	Orifice
Standard Svc.	1*+	085-039-402	Oil, "V" Lube, "J" (1 Gallon) (Standard Service Only)
Standard Svc.	1*+	085-039-403	Oil, "V" Lube, "J" (1 Quart) (Standard Service Only)
Special Svc.	1*+	085-045-742	Oil, "Y" Lube 25/6 (Special Service Use) (1 Gallon)

REFERENCE DRAWINGS

A-428-133-4
 B-0-327

Hydraulic Diagram
 Exploded Parts Diagram

*RECOMMENDED SPARE PART
 +PARTS NORMALLY STOCKED
 • RECOMMENDED SPARE PART FOR SPECIAL SERVICE USE

MODEL 900-017-002 (37 CFM) ROTARY VANE TYPE VACUUM PUMP
 900-017-241 (37 CFM) SPECIAL SERVICE ROTARY VANE TYPE VACUUM PUMP
 Serial No.

017-002 LOT NO. SC -79300 TO

017-241 LOT NO. SC-79225 TO

NOTE FOR -241 PUMPS ONLY: When ordering parts for your Rotary Vane Pump, please specify that your pump is being used for Special Service.

SYM	QTY	PART NO	DESCRIPTION
	1*+	424-078-1	Minor Servicing Replacement Parts Kit Consists of:-
1	4		Exhaust Valve
2	4		Exhaust Valve Springs
3	2		"O" Ring (Fill & Drain Plug)
4	1		"O" Ring (Gas Ballast)
5	1		Gas Ballast Valve Disc
6	1		"O" Ring (Inlet Screen)
7	1		Reservoir Gasket
7A	1		Reservoir "O" Ring
	1*+	424-079-1	Major Servicing Replacement Parts Kit Consists of: -
8	1		Bushing (End Plate)
9	1		Oil Seal (End Plate)
10	1		Bushing (Front Plate)
11	2		Oil Seal (Front Plate)
12	1		Bushing (Interstage Plate)
13	1		"O" Ring (Gas Ballast)
14	1		"O" Ring (Gas Ballast)
15	1		"O" Ring (Gas Ballast)
16	1		"O" Ring (Support Housing)
17	1		"O" Ring (Inlet Flange)
18	1		Gerotor Drive Pin
19	1		Ball (Filter Relief Valve)
20	1		Rotor Key
21	1		Valve Disc (Oil Feed)
23	1		Spring (Oil Feed, End Plate)
24	1		Spring (Filter Relief Valve)
25	2		1st Stage Vanes
26	2		2nd Stage Vanes
27	6		Spring (1st & 2nd Stage Vanes)
29	1		Spider (For Coupling
30	1*+	D-428-654-2	Module Ass'y
31	1	F-427-297-4	Support Housing
31B	1	C-600-640-003	Housing Foot LH
31C	1	C-600-640-002	Housing Foot RH
32	4	085-039-018	Rubber Bumper
33	1	C-427-272-3	Front Plate

*RECOMMENDED SPARE PART

+PARTS NORMALLY STOCKED

MODEL 900-017-002 (37 CFM) ROTARY VANE TYPE VACUUM PUMP
 900-017-241 (37 CFM) SPECIAL SERVICE ROTARY VANE TYPE VACUUM PUMP

Serial No.

017-002 LOT NO. SC -79300 TO

017-241 LOT NO. SC-79225 TO

NOTE FOR -241 PUMPS ONLY: When ordering parts for your Rotary Vane Pump, please specify that your pump is being used for Special Service.

SYM	QTY	PART NO	DESCRIPTION
34	1	D-427-273-3	1st Stage Stator
35	1	C-427-274-3	Interstage Plate
36	1	D-427-275-3	2nd Stage Stator
37	1	C-427-276-5	End Plate
38	1	F-427-285-3	Reservoir
39	1	B-427-706-1	Fan
40	1	A-427-643-2	Coupling
41	1	D-600-058-1	Rotor, 1st Stage
42	1	C-600-059-1	Rotor, 2nd Stage
43	1	085-039-267	Gerotor Assembly
44	1	C-429-926-2	Gerotor Cover
45	2	B-427-717-6	Side Cover
46	1*+	A-429-639-1	Oil Filter
47	1	A-427-725-1	Oil Filter Threaded Tube
48	1	B-427-636-1	Inlet Screen Assembly
49	1	A-427-645-1	Inlet Flange
50	1	B-428-224-1	Exhaust Flange
51	1	B-427-734-2	Exhaust Valve Cover Ass'y
52	1	B-428-116-1	Gas Ballast Valve Cap (Optional)
52A	1	085-040-408	Gas Ballast Valve Cap (Standard)
53	1	B-428-117-1	Gas Ballast Valve Body (Optional)
53A	1	B-430-183-002	Gas Ballast Valve Body (Standard)
54	1	A-428-226-1	Gas Ballast Tube
55	1	A-429-486-1	Oil Tube
56	2	A-429-923-3	Valve, Cap
57	1	A-429-924-1	Spring Guide
58	1	075-033-472	Plug (Fill)
59	1	075-033-472	Plug (Drain)
60	1	B-427-700-1	Oil Slinger
61	1	085-037-922	Sight Glass Gage, Window Type
61A	1	085-039-900	Sight Glass (Polycarbonate)
Standard Svc.	1*+	085-039-402	Oil, "V" Lube, "J" (1 Gallon) (Standard Service Only)
Standard Svc.	1*+	085-039-403	Oil, "V" Lube, "J" (1 Quart) (Standard Service Only)
Special Svc.	1*+	085-045-742	Oil, "Y" Lube 25/6 (Special Service Use) (1 Gallon)

REFERENCE DRAWINGS

A-428-133-2 & 6
 B-0-329

Hydraulic Diagram
 Exploded Parts Diagram

*RECOMMENDED SPARE PART

+PARTS NORMALLY STOCKED

• RECOMMENDED SPARE PART FOR SPECIAL SERVICE USE

Revision 1.0

3-2-94

RJL:rb

EC-35404

FILE #D:\PARTSLIS\COMPONENT\177.FMS

MODEL 900-023-002 (55 CFM) ROTARY VANE TYPE VACUUM PUMP
 900-023-241 (55 CFM) SPECIAL SERVICE ROTARY VANE TYPE VACUUM PUMP

Serial No.

023-002 LOT NO. SC -79307 TO

023-241 LOT NO. SC-79354 TO

NOTE FOR -241 PUMPS ONLY: When ordering parts for your Rotary Vane Pump, please specify that your pump is being used for Special Service.

SYM	QTY	PART NO	DESCRIPTION
	1*+	424-078-1	Minor Servicing Replacement Parts Kit Consists of:-
1	4		Exhaust Valve
2	4		Exhaust Valve Springs
3	2		"O" Ring (Fill & Drain Plug)
4	1		"O" Ring (Gas Ballast)
5	1		Gas Ballast Valve Disc
6	1		"O" Ring (Inlet Screen)
7	1		Reservoir Gasket
7A	1		Reservoir "O" Ring
	1*+	424-079-1	Major Servicing Replacement Parts Kit Consists of: -
8	1		Bushing (End Plate)
9	1		Oil Seal (End Plate)
10	1		Bushing (Front Plate)
11	2		Oil Seal (Front Plate)
12	1		Bushing (Interstage Plate)
13	1		"O" Ring (Gas Ballast)
14	1		"O" Ring (Gas Ballast)
15	1		"O" Ring (Gas Ballast)
16	1		"O" Ring (Support Housing)
17	1		"O" Ring (Inlet Flange)
18	1		Gerotor Drive Pin
19	1		Ball (Filter Relief Valve)
20	1		Rotor Key
21	1		Valve Disc, Oil Feed,
23	1		Spring (Oil Feed, End Plate)
24	1		Spring, (Filter Relief Valve)
25	2		1st Stage Vane
26	2		2nd Stage Vane
27	6		Spring (1st & 2nd Stage Vane)
29	1		Spider (For Coupling)
30	1*+	D-428-654-2	Module Ass'y
31	1	F-427-297-4	Support Housing
31B	1	C-600-640-3	Housing Foot LH
31C	1	C-600-640-002	Housing Foot RH
32	4	085-039-018	Rubber Bumper
33	1	D-427-272-3	Front Plate

*RECOMMENDED SPARE PART

+PARTS NORMALLY STOCKED

MODEL 900-023-002 (55 CFM) ROTARY VANE TYPE VACUUM PUMP
 900-023-241 (55 CFM) SPECIAL SERVICE ROTARY VANE TYPE VACUUM PUMP

Serial No.

023-002 LOT NO. SC -79307 TO

023-241 LOT NO. SC-79354 TO

NOTE FOR -241 PUMPS ONLY: When ordering parts for your Rotary Vane Pump, please specify that your pump is being used for Special Service.

SYM	QTY	PART NO	DESCRIPTION
34	1	D-427-273-3	1st Stage Stator
35	1	C-427-274-3	Interstage Plate
36	1	D-427-275-3	2nd Stage Stator
37	1	C-427-276-5	End Plate
38	1	F-427-285-3	Reservoir
39	1	B-427-706-1	Fan
40	1	A-427-643-2	Coupling
41	1	D-600-058-001	Rotor, 1st Stage
42	1	D-600-059-001	Rotor, 2nd Stage
43	1	085-039-267	Gerotor Assembly
44	1	C-429-926-2	Gerotor Cover
45	2	B-427-717-6	Side Cover
46	1*+	A-429-639-001	Oil Filter
47	1	A-427-725-1	Oil Filter Threaded Tube
48	1	B-427-636-1	Inlet Screen Assembly
49	1	B-427-645-1	Inlet Flange
50	1	B-428-224-1	Exhaust Flange
51	1	B-427-734-2	Exhaust Valve Cover Ass'y
52	1	B-428-116-1	Gas Ballast Valve Cap (Optional)
52A	1	085-040-408	Gas Ballast Valve Cap (Standard)
53	1	B-428-117-1	Gas Ballast Valve Body (Optional)
53A	1	B-430-183-002	Gas Ballast Valve Body (Standard)
54	1	A-428-226-1	Gas Ballast Tube
55	1	A-429-486-1	Oil Tube
56	2	A-429-923-3	Valve Cap
57	1	A-429-924-1	Spring Guide
58	1	075-033-472	Plug (Fill)
59	1	075-033-472	Plug (Drain)
60	1	B-427-700-1	Oil Slinger
61	1	085-037-922	Sight Glass, Window Type
61A	1	085-39-900	Sight Glass, Polycarbonate
Standard Svc.	2*+	085-039-402	Oil, "V" Lube, "J" (1 Gallon) (Standard Service Only)
Standard Svc.	1*+	085-039-403	Oil, "V" Lube, "J" (1 Quart) (Standard Service Only)
Special Svc.	1*+	085-045-742	Oil, "Y" Lube 25/6 (Special Service Use) (1 Gallon)

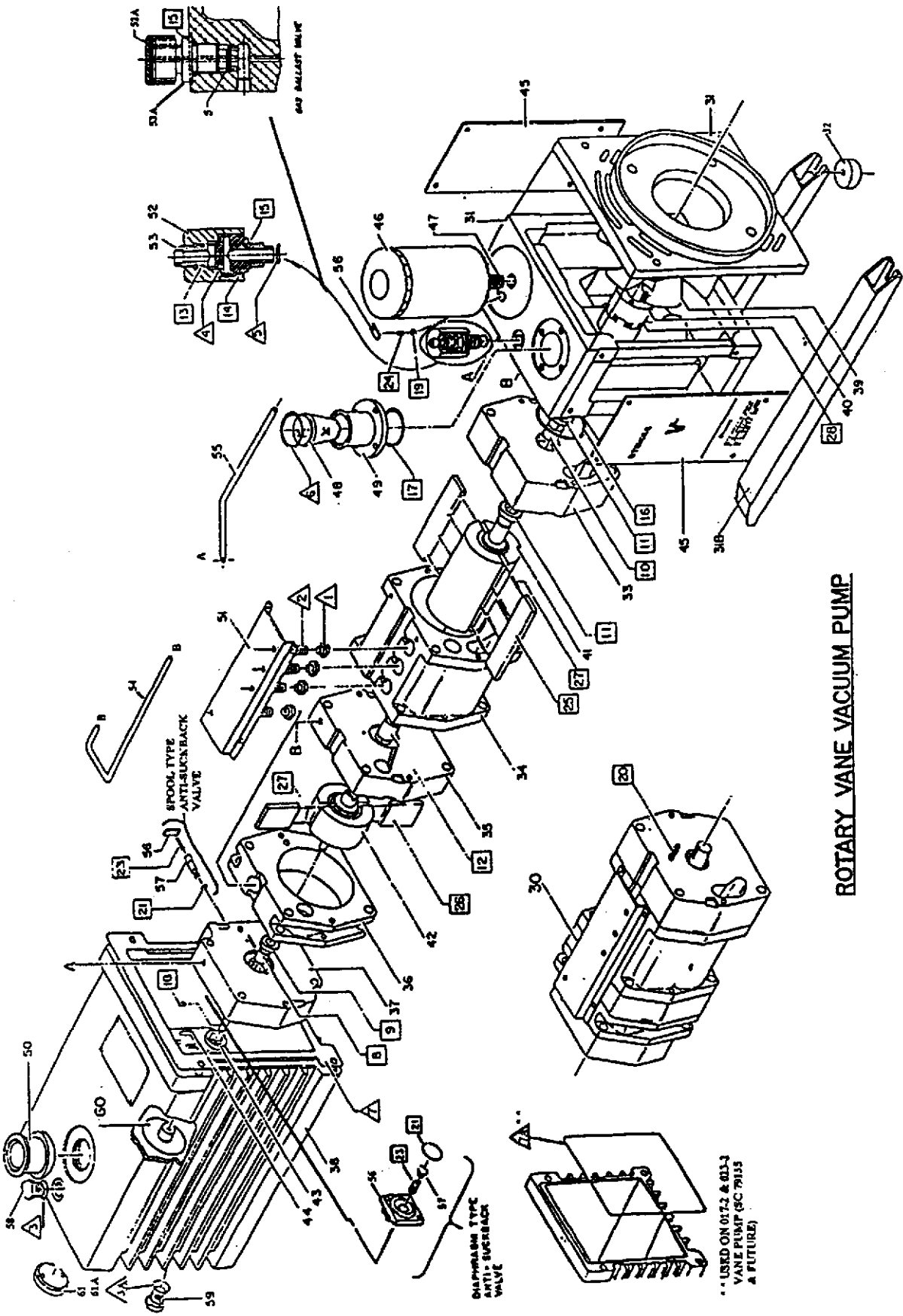
REFERENCE DRAWINGS

A-428-133-2 & 6
 B-0-329

Hydraulic Diagram
 Exploded Parts Drawing

*RECOMMENDED SPARE PART
 +PARTS NORMALLY STOCKED
 • RECOMMENDED SPARE PART FOR SPECIAL SERVICE USE

Revision 1.8
 3-2-94 R/L/Lrf6
 EC-35404
 FILE #D:\PARTSLIST\COMPONENT\23P.PMS



ROTARY VANE VACUUM PUMP

..USED ON 012 & 013 VANE PUMP (SC 7015 & FUTURE)