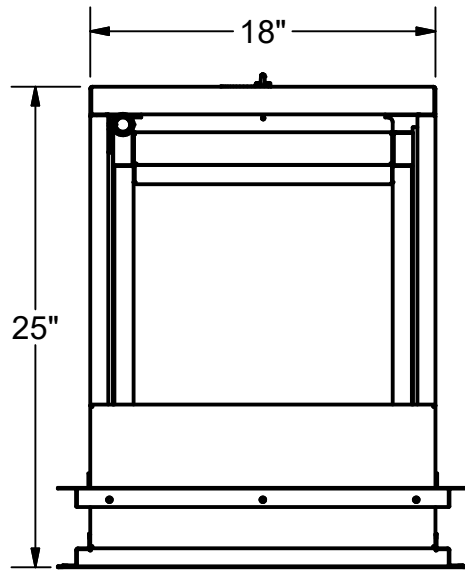
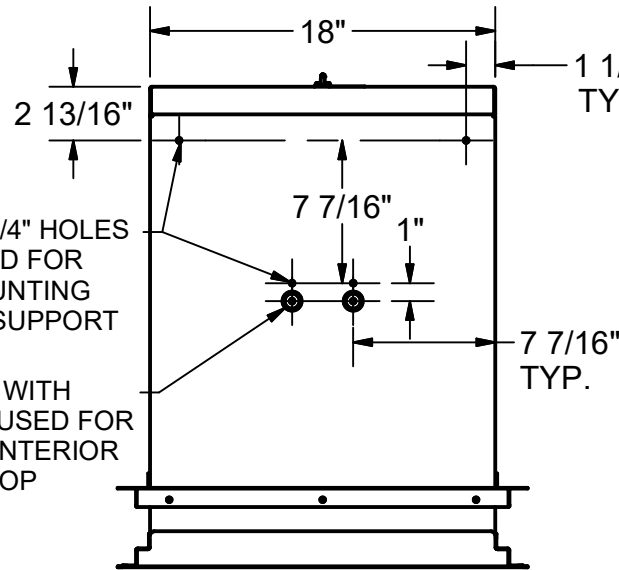




SPT-FR101 FIRE RATED DRAWER

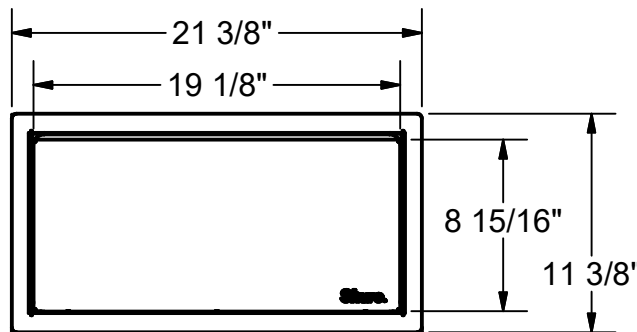
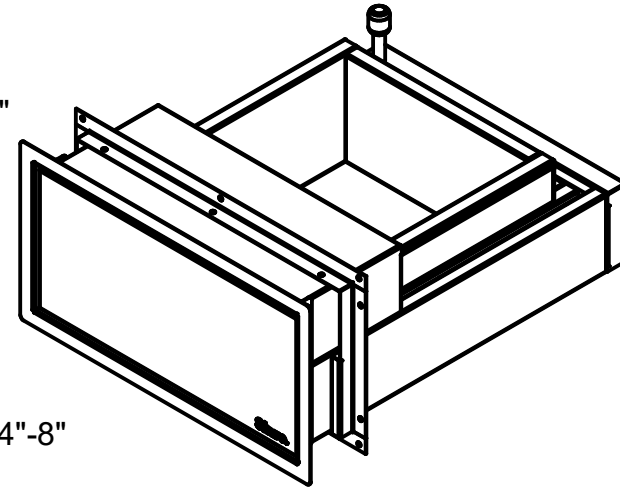


TOP VIEW

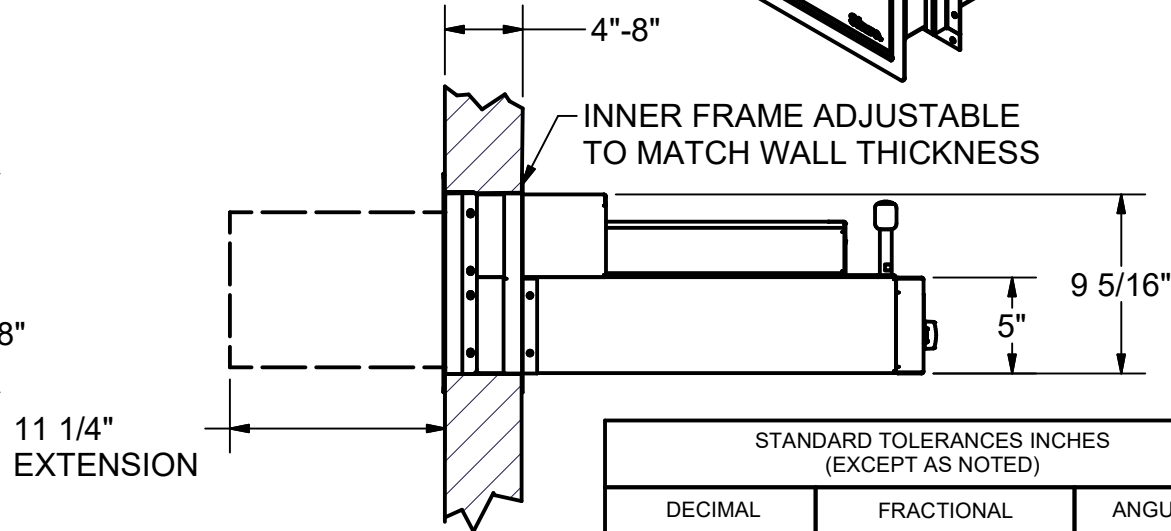


BOTTOM VIEW

NOTES:
FABRICATED USING
VARIOUS GAUGES OF STAINLESS
STEEL TYPES 304 AND 430 WITH #4 FINISH,
SELF CLOSING,
HIGH TEMP GASKET ON FRONT



FRONT VIEW



APPROVED

SIGNED: _____

DATE: _____

PRELIMINARY

NOT FOR PRODUCTION
DRAWING SHOWN IS REPRESENTATIONAL
DETAILS MAY CHANGE PENDING
ENGINEERING FINALIZATION.
NOTE: FINAL ASSEMBLY OF EQUIPMENT MAY
REQUIRE FIELD MODIFICATIONS & FINAL
ADJUSTMENTS TO EQUIPMENT

STANDARD TOLERANCES INCHES
(EXCEPT AS NOTED)

DECIMAL	FRACTIONAL	ANGULAR
± 0.1	± 1/16"	± 2°

This drawing is and includes information proprietary to Shure Manufacturing Corporation. All use is prohibited except by written consent.

DRAWN BY:
MCN 6/24/2021

DRAWING NO.:
SK9667