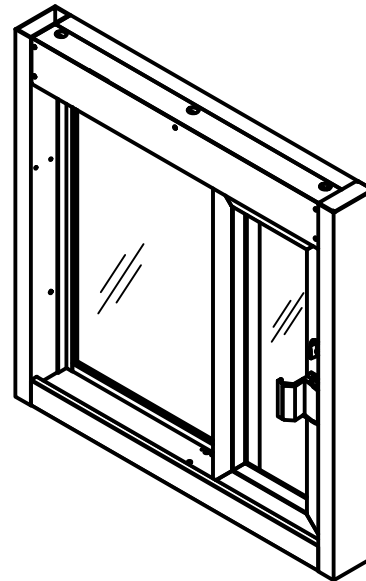
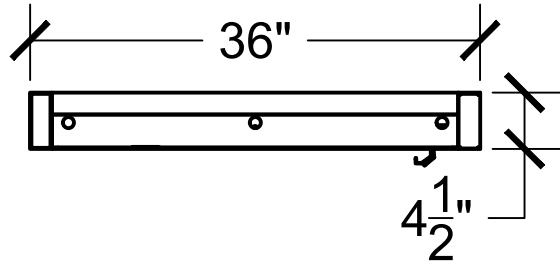


Top View



COVENANT
Security Equipment

PLEASE SELECT:

1. FRAMING:

Aluminum

2. FRAME COLOR:

Bronze Anodized

Clear Anodized

Other: _____

3. GLAZING:

1/4" Tempered

1" Insulated

3/4" Poly - L1

1-1/4" Acrylic - L1

1-1/4" Poly - L3

1-1/4" Acrylic - L3

Storm Impact Low-E

Other: _____

Key Notes

Unit:

SC-3030 (RIGHT)

REDUCE OPENING

Actual Dimension:

36"(W) x 36"(H)

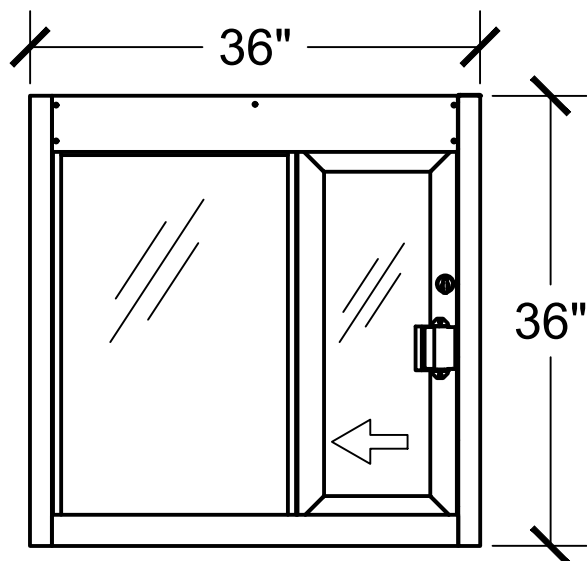
Rough Opening:

36 3/8"(W) x 36 3/8"(H)

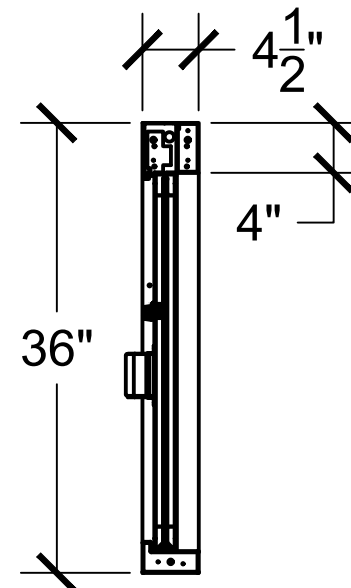
Service Opening:

10"(W) x 29"(H)

Interior Front View



Side View



Engineer Notes

Date drawn: 3/22/2021

Drawn by: Avasquez

File name: SC-3030 RD.dwg

Page: 1 of 1

Scale: 1:16

NOTE: THIS DRAWING EMBODIES A CONFIDENTIAL PROPRIETY DESIGN ORIGINATED AND OWNED BY QUIKSERV CORP., AND IS SUBMITTED UNDER A CONFIDENTIAL RELATIONS ALL PATENT, MANUFACTURING, SALE RIGHTS REGARDING THE SAME ARE RESERVED EXCEPT TO THE EXTENT RIGHTS ARE EXPRESSLY GRANTED TO OTHERS. THE RECIPIENT AGREES BY ACCEPTING THESE DRAWINGS NOT TO SUPPLY OR DISCLOSE ANY INFORMATION REGARDING THEM TO ANY UNAUTHORIZED PERSONAL.

SIGNATURE: _____

DATE: _____