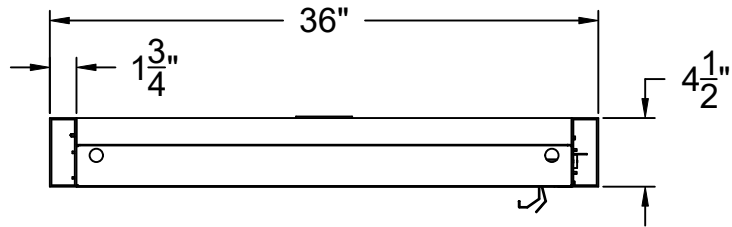


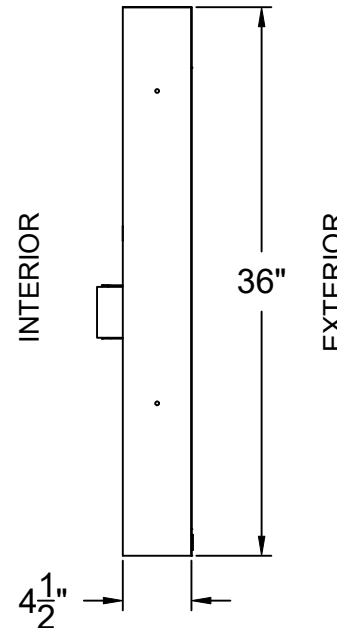
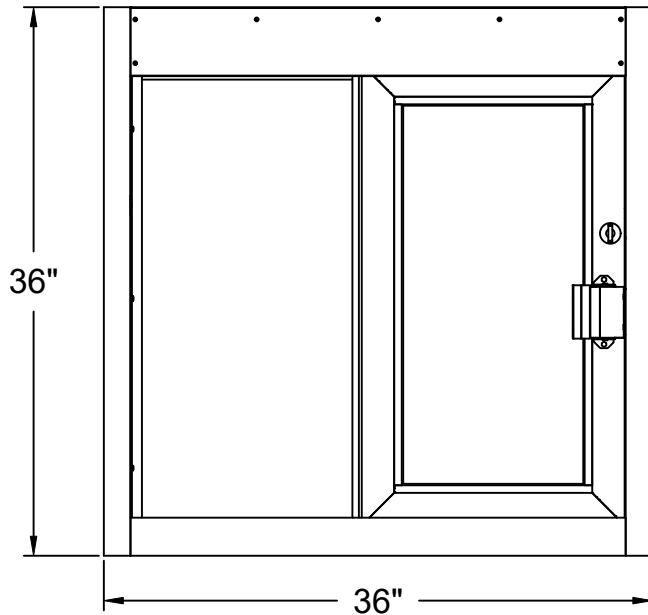
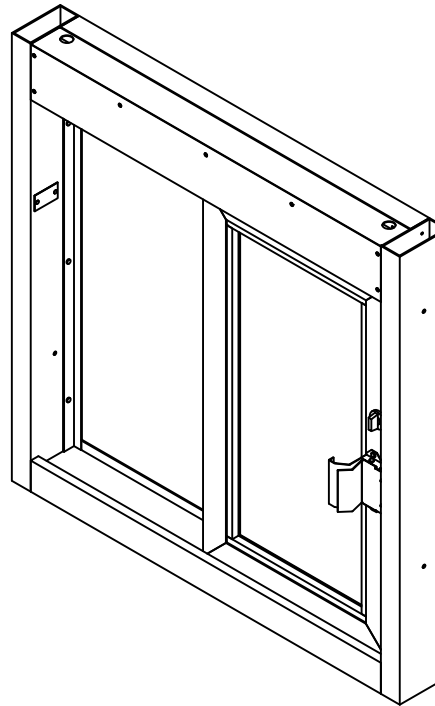
SC3030G RIGHT NEW MODEL



COVENANT
Security Equipment



INTERIOR



INTERIOR

EXTERIOR

PLEASE SELECT:

1. FRAMING:

Aluminum

2. FRAME COLOR:

Bronze Anodized

Clear Anodized

Other: _____

3. GLAZING:

1/4" Tempered

1" Insulated

3/4" Poly - L1

1" Insulated + Low-E

1-1/4" Poly - L3

1-1/4" Acrylic - L1

Storm Impact

1-1/4" Acrylic - L3

Other: _____

Key Notes

Unit:

SC3030 RIGHT NEW MODEL

Actual Dimension:

36"(W) x 36"(H)

Rough Opening:

36-3/8"(W) x 36-3/8"(H)

Service Opening:

14-1/2"(W) x 29"(H)

+microswitch

Engineer Notes

Date drawn: 5/5/2022 12:42 PM

Drawn by: SCOONROD

File name:

SC3030G_STD-R New Model.dwg

Page: #####

Scale: NTS

NOTE: THIS DRAWING EMBODIES A CONFIDENTIAL PROPRIETY DESIGN ORIGINATED AND OWNED BY QUIKSERV CORP., AND IS SUBMITTED UNDER A CONFIDENTIAL RELATIONS ALL PATENT, MANUFACTURING, SALE RIGHTS REGARDING THE SAME ARE RESERVED EXCEPT TO THE EXTENT RIGHTS ARE EXPRESSLY GRANTED TO OTHERS. THE RECIPIENT AGREES BY ACCEPTING THESE DRAWINGS NOT TO SUPPLY OR DISCLOSE ANY INFORMATION REGARDING THEM TO ANY UNAUTHORIZED PERSONAL.

SIGNATURE: _____

DATE: _____