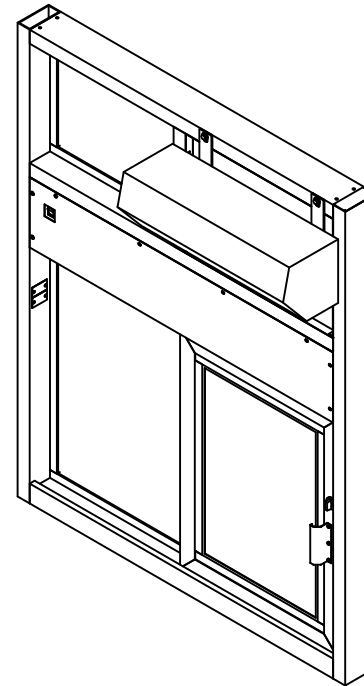
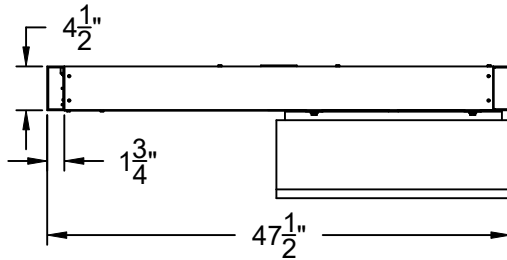


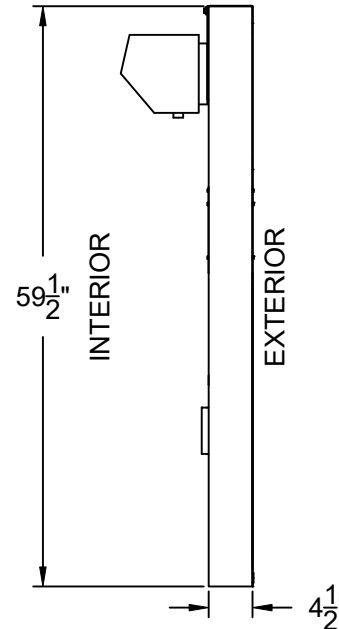
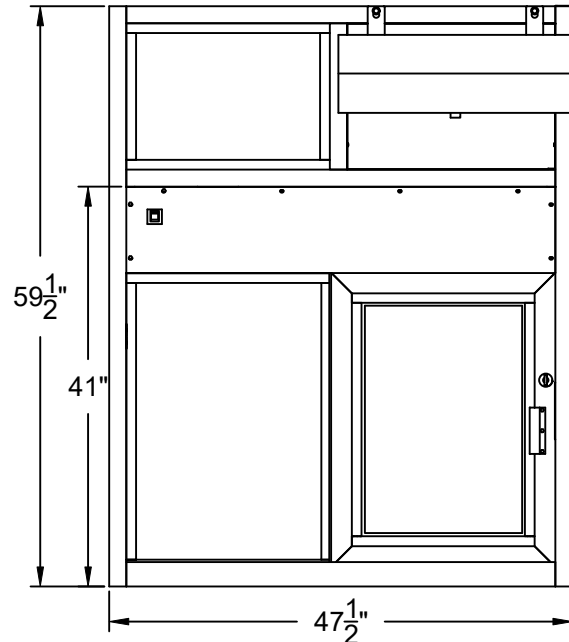
IFT-4860E STANDARD RIGHT HAC



COVENANT
Security Equipment



INTERIOR



PLEASE SELECT:

- 1. FRAMING:**
 Aluminum Loaded Frame
- 2. FRAME COLOR:**
 Bronze Anodized Clear Anodized
 Other: _____
- 3. GLAZING:**
 1/4" Tempered 1" Insulated
 3/4" Poly - L1 1" Insulated + Low-E
 1-1/4" Poly - L3 1-1/4" Acrylic - L1
 Storm Impact 1-1/4" Acrylic - L3
 Other: _____

Key Notes

Unit:
IFT-4860E STANDARD RIGHT HAC

Actual Dimension:
47-1/2"(W) x 59-1/2"(H)

Rough Opening:
47-7/8"(W) x 59-7/8"(H)

Service Opening:
20"(W) x 29"(H)

Engineer Notes

Date drawn: 11/9/2022 12:20 PM
Drawn by: OSALINAS
File name: IFSST4860E_STD-HAC_R NEW MODEL.dwg
Page: _____ **Scale:** NTS

NOTE: THIS DRAWING EMBODIES A CONFIDENTIAL PROPRIETY DESIGN ORIGINATED AND OWNED BY QUIKSERV CORP., AND IS SUBMITTED UNDER A CONFIDENTIAL RELATIONS ALL PATENT, MANUFACTURING, SALE RIGHTS REGARDING THE SAME ARE RESERVED EXCEPT TO THE EXTENT RIGHTS ARE EXPRESSLY GRANTED TO OTHERS. THE RECIPIENT AGREES BY ACCEPTING THESE DRAWINGS NOT TO SUPPLY OR DISCLOSE ANY INFORMATION REGARDING THEM TO ANY UNAUTHORIZED PERSONAL.

SIGNATURE: _____

DATE: _____