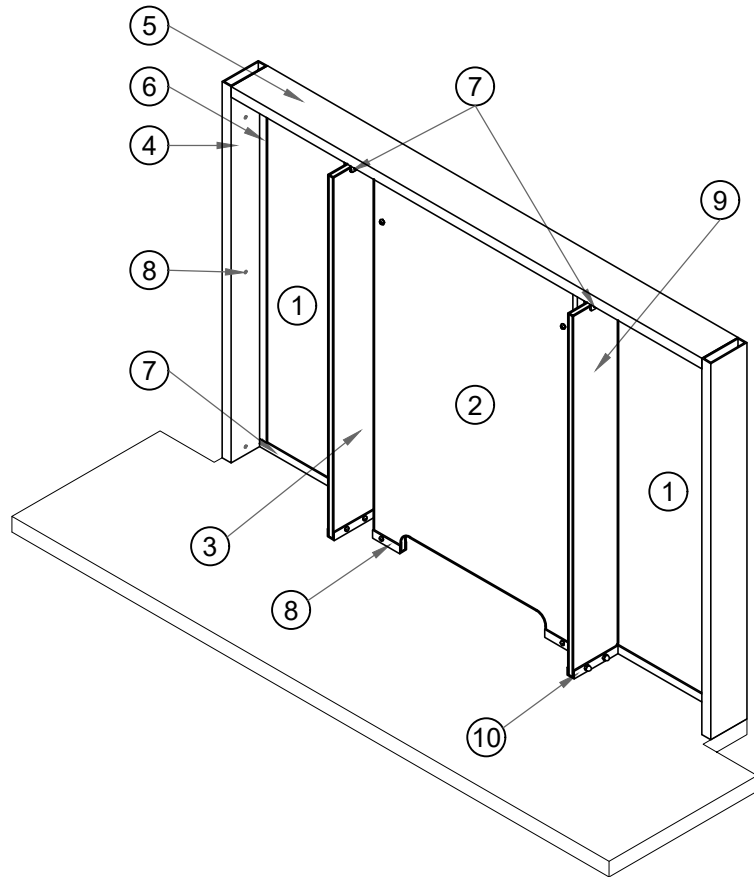


INSTALLATION GUIDE

LEGEND



LEGEND	
①	POLY WALL SECTION 16- $\frac{11}{16}$ " X 34- $\frac{9}{16}$ " X $\frac{1}{2}$ "
②	POLY WINDOW SECTION 22" X 34- $\frac{5}{8}$ " X $\frac{1}{2}$ "
③	BAFFLE SECTION 5" X 34- $\frac{9}{16}$ " X $\frac{1}{2}$ "
④	TUBE WALL 36" X 1" X 4"
⑤	TUBE HEADER 52" X 1" X 4"
⑥	CHANNEL WALL
⑦	CHANNEL HEADER
⑧	CHANNEL WINDOW
⑨	CHANNEL BAFFLE (TOP)
⑩	CHANNEL BAFFLE (BOTTOM)
⑪	FLAT HEAD PHILLIPS #10 X 3-1/2"
⑫	#10 x 3/4" FHP
⑬	2" DOWEL BAGS - BAFFLE SYSTEM 3 1/2"
⑭	10-24 -PAN HEAD SECURITY SCREW 1" W/NUTS

SSA STANDARD

