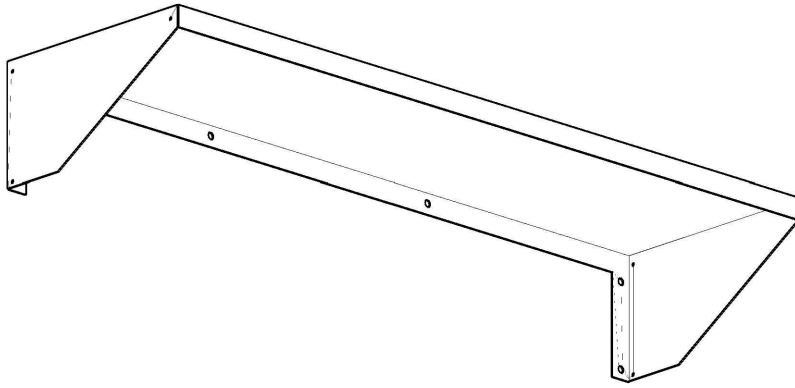
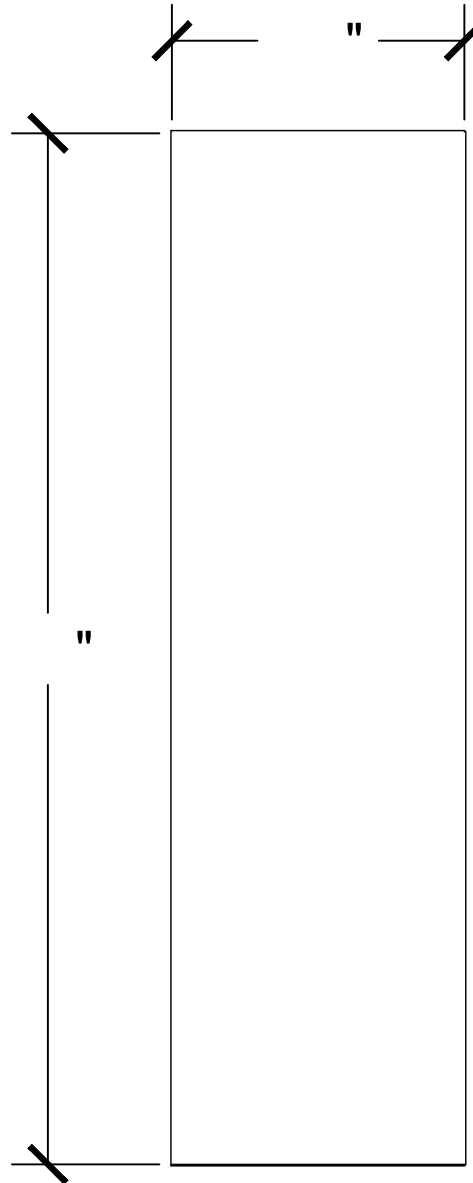


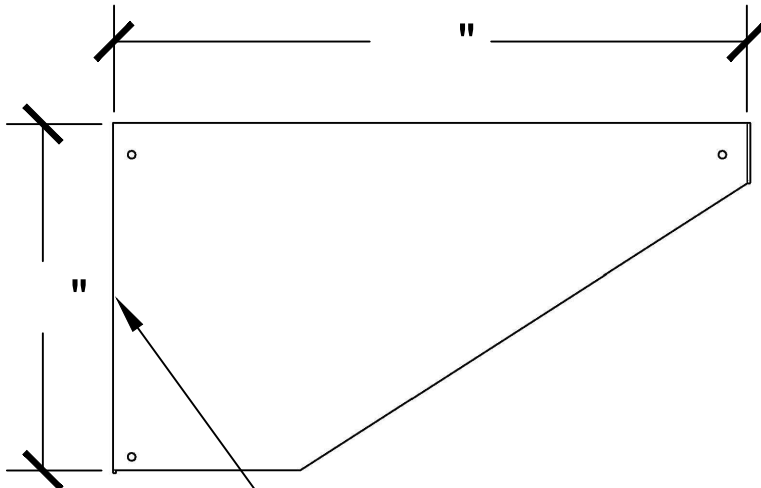
ISO View



Top View



Side View



Minimum 6¹/₂"

Key Notes

Unit:
CUSTOM SHELF
Actual Dimension:
"(L) X "(W) X "(H)

Engineer Notes

Date drawn: 11/1/19
Drawn by: A.V.
File name: SHELF FILL-IN

Page: 1 OF 1

Scale:

SIGNATURE: _____

DATE: _____