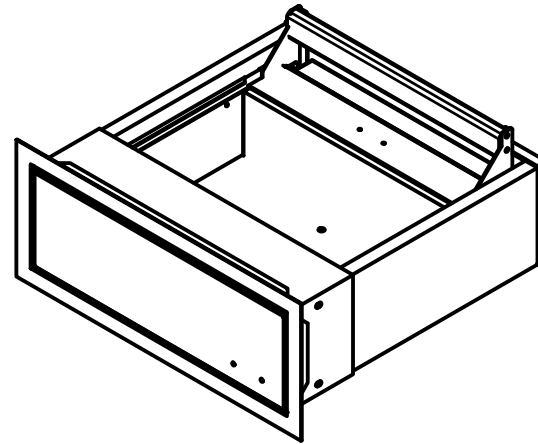
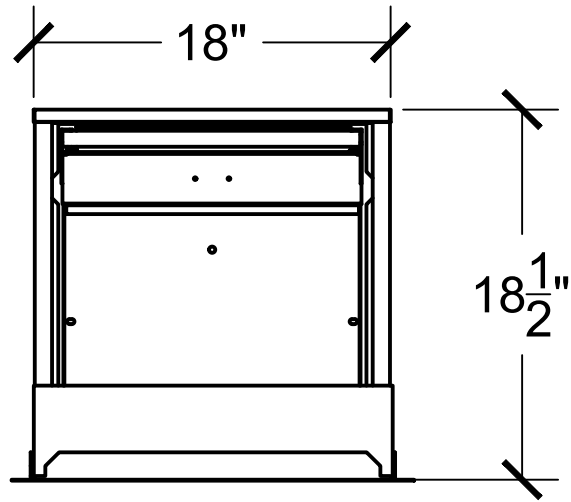


Top View

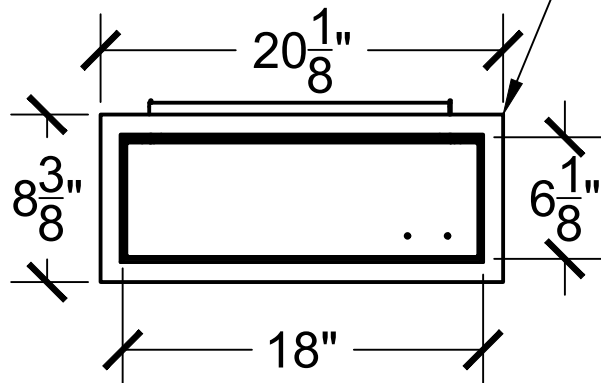


Key Notes

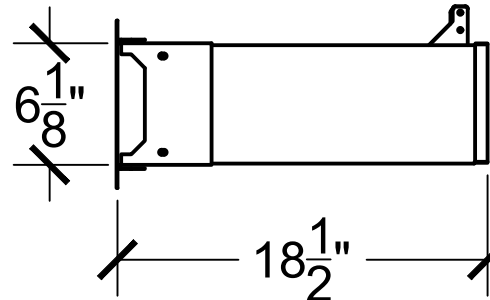
Unit:
QST-625
WITH FLANGE
NO SPEAKER
Actual Dimension without flange:
18"(W) x 6 $\frac{1}{8}$ "(H)

Exterior Back View

FLANGE



Side View



Engineer Notes

Date drawn: 12/1/2020
Drawn by: Avasquez
File name: QST-625 No Speaker.dwg

Page: 1 of 1

Scale: 1:10

SIGNATURE: _____

DATE: _____