

## General Notes

**Actual Dimension**

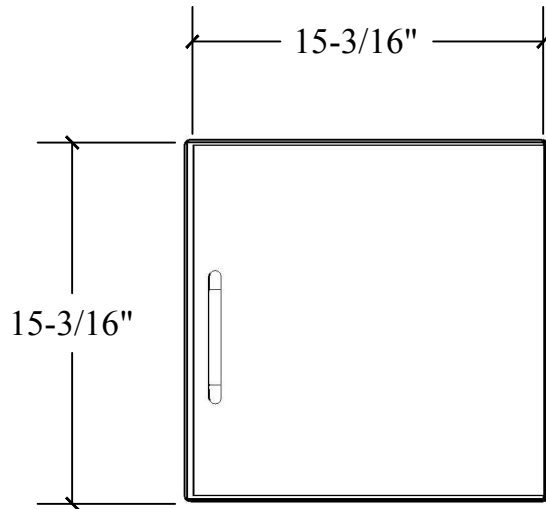
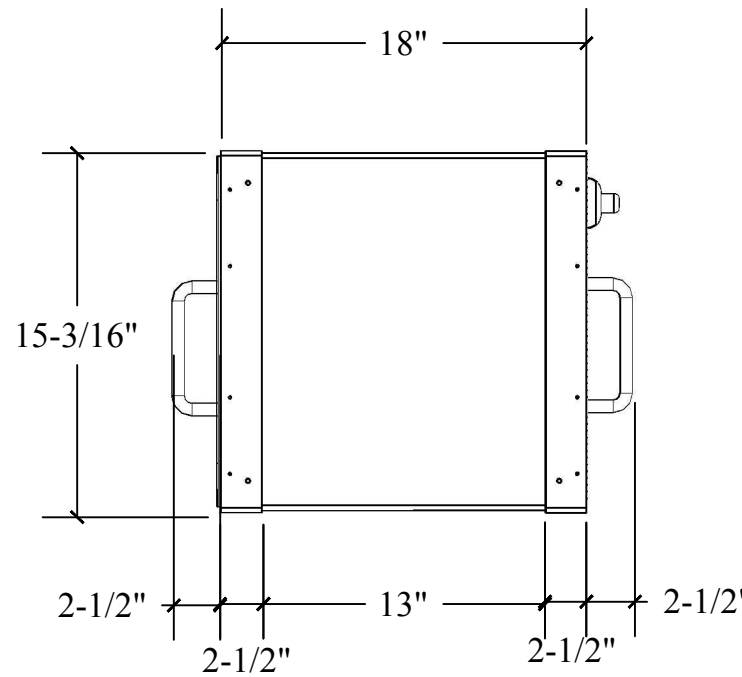
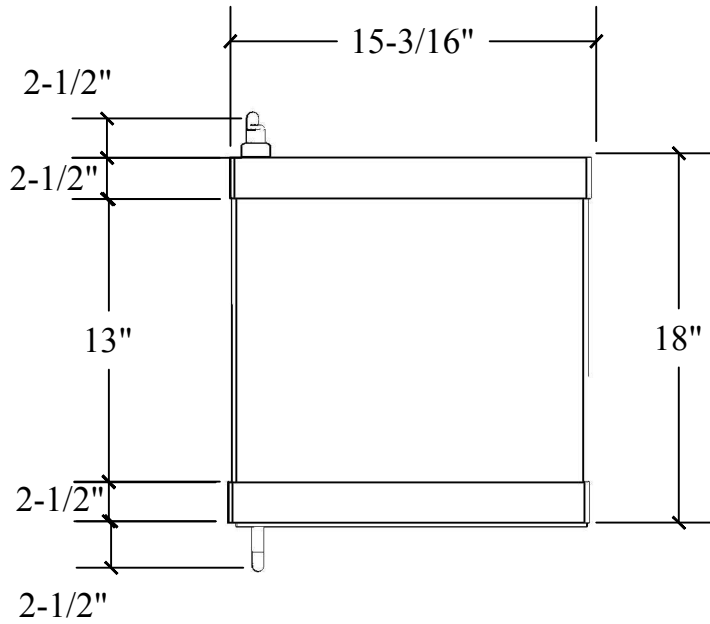
15-3/16"(W) x 15-3/16"(H)

**Transfer Area**

13-3/4"(W) x 13"(H) x 15-3/8"(D)

**Rough Opening**

15-1/2"(W) x 15-1/2"(H)



**COVENANT**  
Security Equipment

TITLE:

**PR-1515 SS DOOR PACKAGE RECEIVER**

Drawing Name

**PR-1515 SS DOOR THREE SIDE VIEW**

DATE

6/22/2016

DRAWN BY

RBV

SCALE

1:8

SHEET

1 of 1

SIZE

**A**

NOTE: THIS DRAWING EMBODIES A CONFIDENTIAL PROPRIETY DESIGN ORIGINATED AND OWNED BY COVENANT SECURITY, AND IS SUBMITTED UNDER A CONFIDENTIAL RELATIONS ALL PATENT, MANUFACTURING, SALE RIGHTS REGARDING THE SAME ARE RESERVED EXCEPT TO THE EXTENT RIGHTS ARE EXPRESSLY GRANTED TO OTHERS. THE RECIPIENT AGREES BY ACCEPTING HIP. THESE DRAWINGS NOT TO SUPPLY OR DISCLOSE ANY INFORMATION REGARDING THEM TO ANY UNAUTHORIZED PERSON.