

NOTES:

① ARMORTEX® BULLET RESISTANT ARMOR

② UNFINISHED VENEER

③ 1/6 GA. PRIME PAINTED STEEL FRAME

④ PARTICLE BOARD CORE

⑤ CONTINUOUS GEAR HINGE (NOT SHOWN)

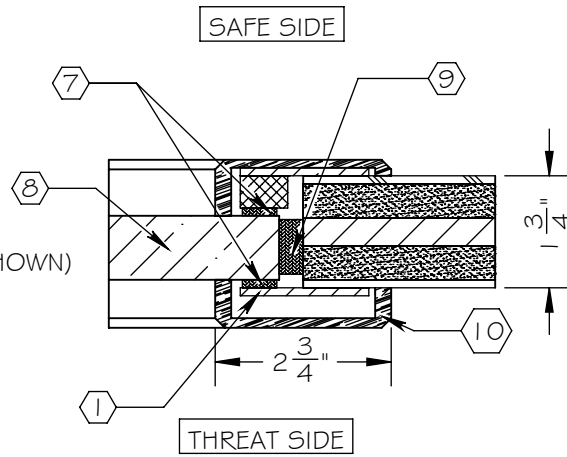
⑥ HARDWARE PREPERATION AS REQUIRED (NOT SHOWN)

⑦ GLAZING TAPE

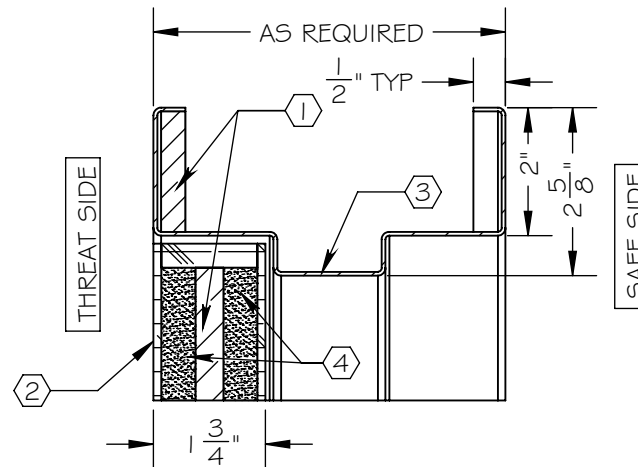
⑧ BULLET RESISTANT GLAZING

⑨ NEOPRENE SETTING BLOCK

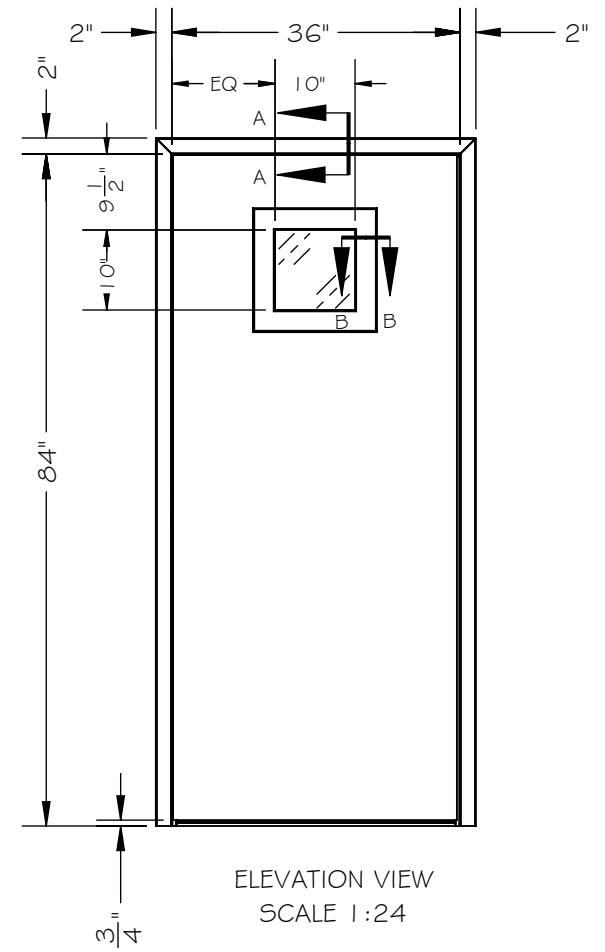
⑩ WOOD TRIM



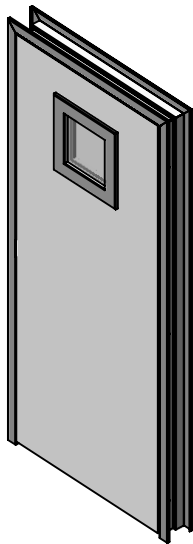
SECTION B-B
SCALE 1 : 3




SECTION A-A
SCALE 1 : 3



ELEVATION VIEW
SCALE 1 : 24



SCALE: AS NOTED	TITLE: WOOD VIEW LITE DOOR	UNLESS OTHERWISE SPECIFIED: DIMENSIONS ARE IN INCHES TOLERANCES: FRACTIONAL: ±1/16" ANGULAR: ±1° TWO PLACE DECIMAL ±.01 THREE PLACE DECIMAL ±.005	 COVENANT Security Equipment
DATE: 06-01-2015	MODEL: DR-WD-VL-DB		
DRAWN BY: M. FREEMAN	SHEET NUMBER: 1 OF 1		