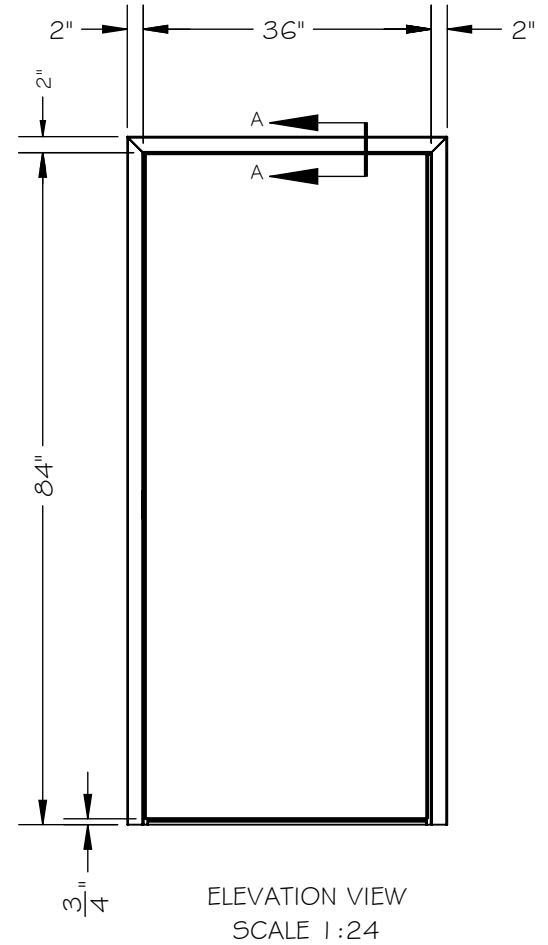
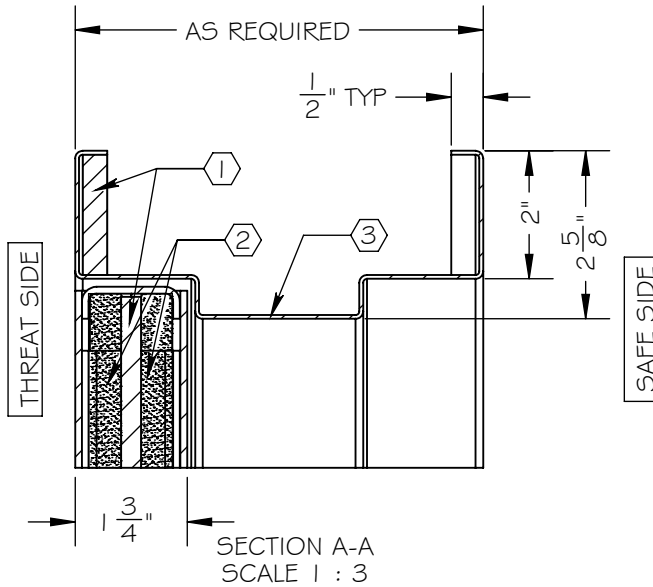
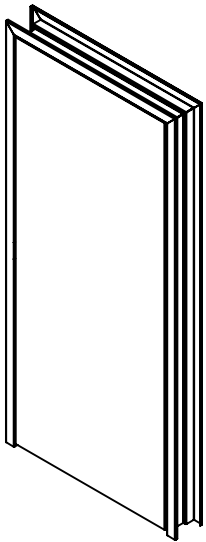



NOTES:

- ① ARMORTEX[®] BULLET RESISTANT ARMOR
- ② FOAMED INSULATION
- ③ 16 GA. PRIME PAINTED STEEL DOOR AND FRAME
- ④ CONTINUOUS GEAR HINGE (NOT SHOWN)
- ⑤ HARDWARE PREPARATION AS REQUIRED (NOT SHOWN)



SCALE: AS NOTED	TITLE: HOLLOW METAL FLUSH DOOR	UNLESS OTHERWISE SPECIFIED:	 COVENANT Security Equipment
DATE: 05-27-2015	MODEL: DR-HM-NL-DB	DIMENSIONS ARE IN INCHES TOLERANCES: FRACTIONAL: ±1/16" ANGULAR: ±1° TWO PLACE DECIMAL: ±.01 THREE PLACE DECIMAL: ±.005	
DRAWN BY: M. FREEMAN	SHEET NUMBER: 1 OF 1		