

DOOR & FRAME SUBMITTAL				FRAME		DOOR			HARDWARE PREP
TAG	BR LEVEL	QTY	GA.	WALL THICK	JAMB WIDTH	TYPE	GA	VENEER	STRIKE:
									LOCKSET:
									CLOSER:
									HINGE (CHECK ONE): <input type="checkbox"/> STANDARD SL11 CONTINUOUS GEAR
									SL11 ELECTRIFIED CONTINUOUS GEAR HINGE <input type="checkbox"/> 4 WIRE <input type="checkbox"/> 10 WIRE

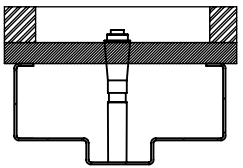
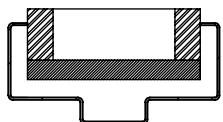
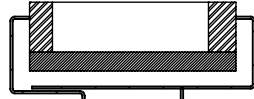
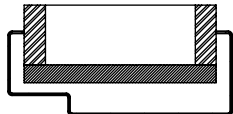
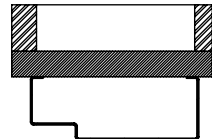
OTHER

GLAZING TYPE: \_\_\_\_\_ GLAZING THICKNESS: \_\_\_\_\_  BY OTHERS

ALL HARDWARE EXCEPT HINGE BY OTHERS UNLESS NOTED

ALL HARDWARE TEMPLATES MUST BE INCLUDED WITH SIGNED APPROVALS

FRAME TYPE (CHECK ONE)

-  FLUSH INSTALL
-  WRAP FRAME
-  SPLIT FRAME
-  SINGLE RABBET WRAP
-  SINGLE RABBET FLUSH

NOTES:

\_\_\_\_\_

\_\_\_\_\_

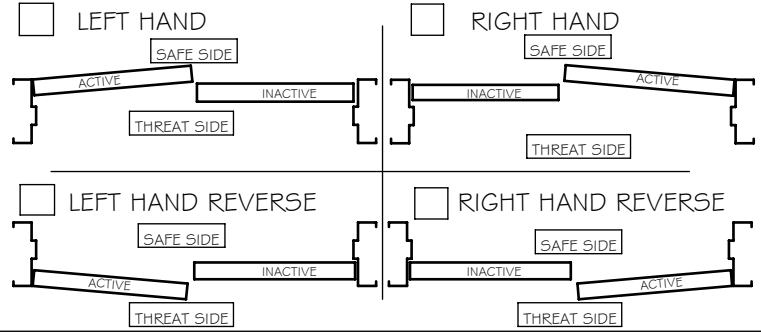
\_\_\_\_\_

ASTRAGAL  
YES NO

ANCHORS

- MASONRY
- STUD STRAPS
- PUNCHED AND DIMPLED
- FLOOR ANCHORS
- OTHER

DOOR SWING (CHECK ONE)



APPROVED AS DRAWN  APPROVED AS NOTED

SIGNATURE \_\_\_\_\_ DATE \_\_\_\_\_

x \_\_\_\_\_



REV	DATE	CUSTOMER	JOB #
		PROJECT	SHEET