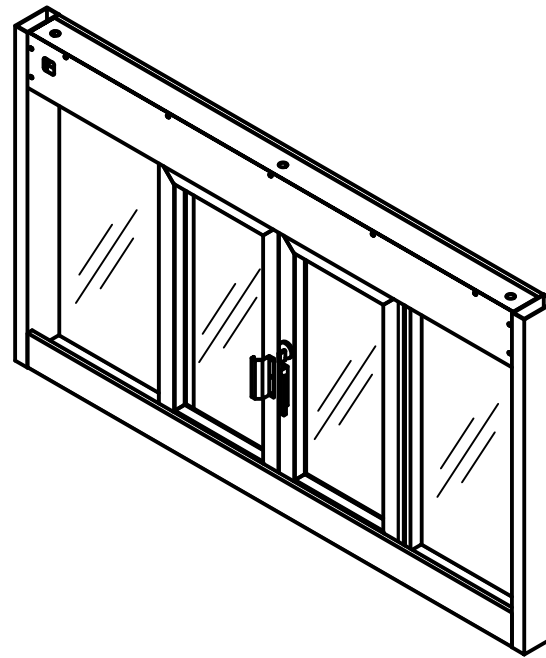
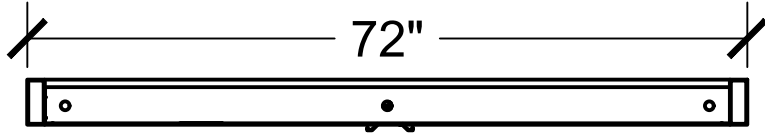
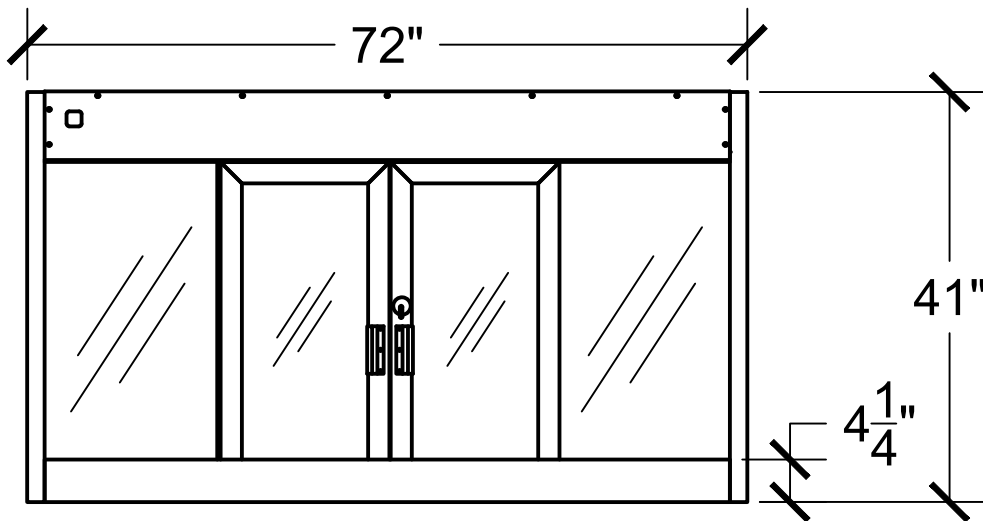


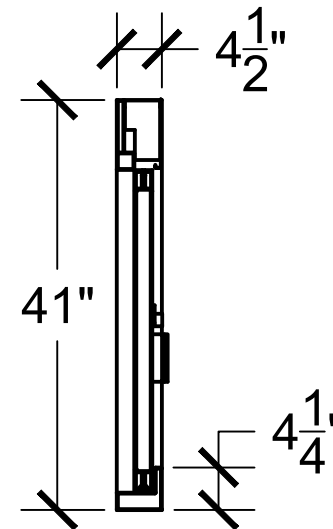
Top View



Interior Front View



Side View



PLEASE SELECT:

1. FRAMING:

- Aluminum
- UL Rated Alum

2. FRAME COLOR:

- Bronze Anodized
- Clear Anodized

Other: _____

3. GLAZING:

- 7/8" Storm Impact

Other: _____

Key Notes

Unit:

BP-7241E IP

Actual Dimension:

72"(W) X 41"(H)

Rough Opening:

72³/₈"(W) X 41³/₈"(H)

Service Opening:

29¹/₂"(W) X 29¹/₄"(H)

Engineer Notes

Date drawn: 8/12/2020

Drawn by: Avasquez

File name: BP-7241E IP Cov.dwg

Page: 1 OF 1

Scale: 1:20

NOTE: THIS DRAWING EMBODIES A CONFIDENTIAL PROPRIETY DESIGN ORIGINATED AND OWNED BY COVENANT SECURITY EQUIPMENT SUBMITTED UNDER A CONFIDENTIAL RELATIONS ALL PATENT, MANUFACTURING, SALE RIGHTS REGARDING THE SAME ARE RESERVED EXCEPT TO THE EXTENT RIGHTS ARE EXPRESSLY GRANTED TO OTHERS. THE RECIPIENT AGREES BY ACCEPTING HIP. THESE DRAWINGS NOT TO SUPPLY OR DISCLOSE ANY INFORMATION REGARDING THEM TO ANY UNAUTHORIZED PERSON.

SIGNATURE: _____

DATE: _____