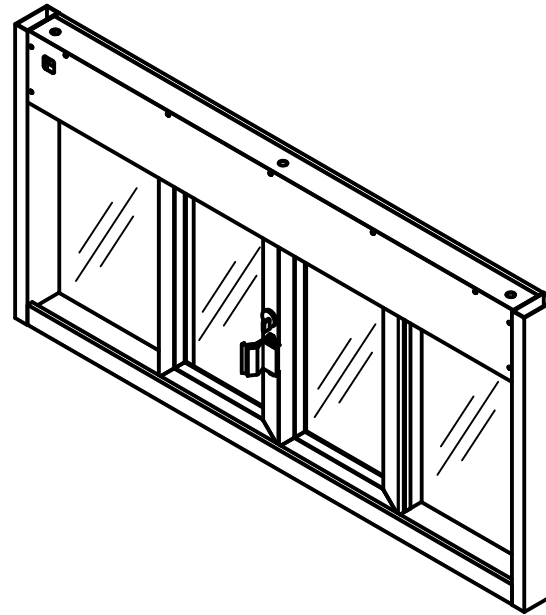
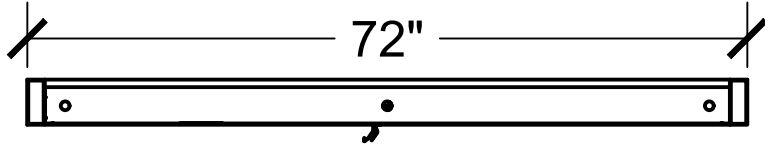
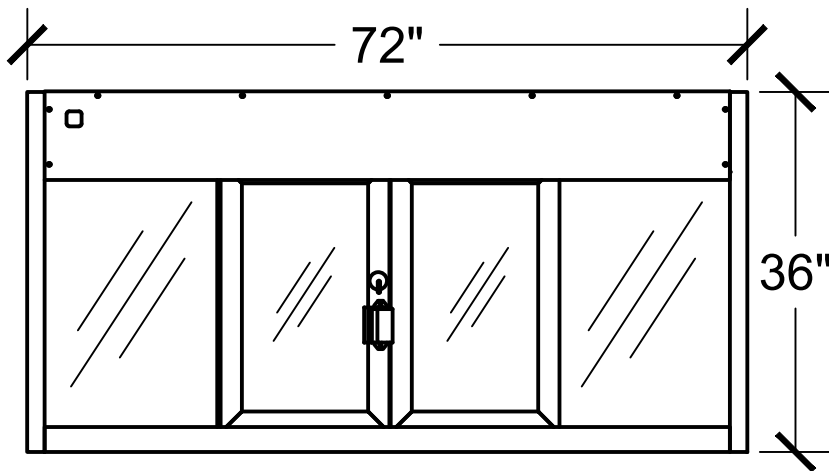


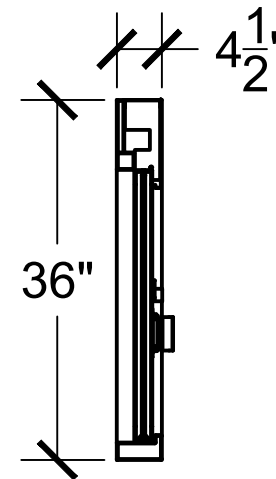
Top View



Interior Front View



Side View



**COVENANT**  
Security Equipment

**PLEASE SELECT:**

**1. FRAMING:**

- Aluminum  UL Rated Alum

**2. FRAME COLOR:**

- Bronze Anodized  Clear Anodized

Other: \_\_\_\_\_

**3. GLAZING:**

- 1/4" Tempered  1" Insulated

- 3/4" Poly - L1

- 1-1/4" Acrylic - L1

- 1-1/4" Poly - L3  1-1/4" Acrylic - L3

- Storm Impact Low-E

Other: \_\_\_\_\_

**4. OPENING OPTIONS:**

- Push Button

- Thru Beam Eye Bar

**Key Notes**

**Unit:**

BP-7236E

**Actual Dimension:**

72"(W) X 36"(H)

**Rough Opening:**

72<sup>3</sup>/<sub>8</sub>"(W) X 36<sup>3</sup>/<sub>8</sub>"(H)

**Service Opening:**

29<sup>1</sup>/<sub>2</sub>"(W) X 26"(H)

**Engineer Notes**

Date drawn: 8/6/2020

Drawn by: Avasquez

File name: BP-7236E Cov.dwg

Page: 1 OF 1

Scale: 1:20

NOTE: THIS DRAWING EMBODIES A CONFIDENTIAL PROPRIETY DESIGN ORIGINATED AND OWNED BY COVENANT SECURITY EQUIPMENT SUBMITTED UNDER A CONFIDENTIAL RELATIONS ALL PATENT, MANUFACTURING, SALE RIGHTS REGARDING THE SAME ARE RESERVED EXCEPT TO THE EXTENT RIGHTS ARE EXPRESSLY GRANTED TO OTHERS. THE RECIPIENT AGREES BY ACCEPTING HIP. THESE DRAWINGS NOT TO SUPPLY OR DISCLOSE ANY INFORMATION REGARDING THEM TO ANY UNAUTHORIZED PERSON.

SIGNATURE: \_\_\_\_\_

DATE: \_\_\_\_\_