

VICTROLA™



5-IN-1 TURNTABLE

MODEL: VTA-75

PLEASE READ THIS INSTRUCTION MANUAL CAREFULLY
BEFORE USING AND KEEP IT FOR FUTURE REFERENCE.



The lightning flash with arrowhead within an equilateral triangle is intended to alert the user to the presence of uninsulated "dangerous voltage" within the product's enclosure that may be of sufficient magnitude to constitute a risk of electric shock.

CAUTION

RISK OF ELECTRIC SHOCK
DO NOT OPEN

CAUTION: TO PREVENT
RISK OF ELECTRIC SHOCK,
DO NOT REMOVE COVER (OR BACK).
NO USER-SERVICEABLE PARTS INSIDE.
REFER SERVICING TO QUALIFIED
SERVICE PROFESSIONAL.



The exclamation point within an equilateral triangle is intended to alert the user to the presence of important operating and maintenance (servicing) instructions in the literature accompanying the appliance.


WARNING: TO PREVENT FIRE OR SHOCK HAZARD, DO NOT EXPOSE THIS APPLIANCE TO RAIN OR MOISTURE.

CAUTION: DO NOT REMOVE THE EXTERNAL CASES OR CABINETS TO EXPOSE THE ELECTRONICS. NO USER SERVICEABLE PARTS ARE INSIDE. USE OF CONTROLS, ADJUSTMENTS OR PERFORMANCE OF PROCEDURES OTHER THAN THOSE SPECIFIED MAY RESULT IN HAZARDOUS RADIATION EXPOSURE.

CAUTION: THE PRODUCT SHALL NOT BE EXPOSED TO DRIPPING OR SPLASHING LIQUIDS AND NO OBJECT FILLED WITH LIQUIDS, SUCH AS VASES, SHALL BE PLACED ON THE PRODUCT. DO NOT INSTALL THIS EQUIPMENT IN A CONFINED SPACE SUCH AS A BOOK CASE OR SIMILAR UNIT.

IMPORTANT SAFETY INSTRUCTIONS

1. Read these instructions.
2. Keep these instructions.
3. Heed all warnings.
4. Follow all instructions.
5. Do not use this apparatus near water.
6. Clean only with a dry cloth.
7. Do not block any ventilation openings. Install in accordance with the manufacturer's instructions.
8. Do not install near any heat sources such as radiators, heat registers, stoves, or other apparatus (including amplifiers) that produce heat.
9. Do not defeat the safety purpose of the polarized or grounding-type plug. A polarized plug has two blades with one wider than the other. A grounding type plug has two blades and a third grounding prong. The wide blade or the third prong are provided for your safety. If the provided plug does not fit into your outlet, consult an electrician for replacement of the obsolete outlet.

10. Protect the power cord from being walked on or pinched particularly at plugs, convenience receptacles, and the point where they exit from the apparatus.
11. Only use attachments/accessories specified by the manufacturer.
12. Use only with the cart, stand, tripod, bracket, or table specified by the manufacturer, or sold with the apparatus. When a cart is used, use caution when moving the cart/apparatus combination to avoid injury from tip-over. 
13. Unplug this apparatus during lightning storms or when unused for long periods of time.
14. Refer all servicing to qualified service personnel. Servicing is required when the apparatus has been damaged in any way, such as power-supply cord or plug is damaged, liquid has been spilled or objects have fallen into the apparatus, the apparatus has been exposed to rain or moisture, does not operate normally, or has been dropped.
 - Do not expose this apparatus to drips or splashes.
 - Do not place any objects filled with liquids, such as vases, on the apparatus.
 - Do not install this apparatus in a confined space such as a book case or similar unit.
 - The apparatus draws nominal non-operating power from the AC outlet with its POWER switch in the OFF position.

CALIFORNIA PROP 65 WARNING



WARNING: This product can expose you to chemicals including lead, which is known to the State of California to cause cancer.
For more information go to www.P65Warnings.ca.gov

BEFORE USE

Read this before operating the unit.

- As the unit may become warm during operation, always leave sufficient space around the unit for ventilation.
- The voltage supplied to the unit should match the voltage as printed on the rear panel. If you are in any doubt regarding this matter, consult an electrician.
- Choose the installation location of your unit carefully. Avoid placing it in direct sunlight or close to a source of heat. Also avoid locations subject to vibrations and excessive dust, heat, cold or moisture.
- Do not place the unit on an amplifier/receiver.
- Do not open the cabinet as this might result in damage to the circuitry or electrical shock. If a foreign object should get into the unit, contact your dealer or service company.
- When removing the power plug from the wall outlet, always pull directly on the plug, never yank the cord.
- Do not attempt to clean the unit with chemical solvents as this might damage the finish. Use a clean, dry cloth.
- Keep this manual in a safe place for future reference.

DO NOT MOVE THE UNIT DURING PLAYBACK

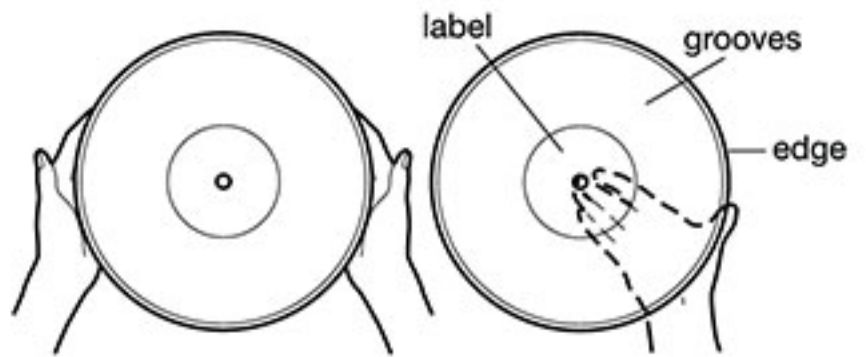
During playback, the record rotates at a high speed. DO NOT lift or move the unit during playback/ Doing so may damage the record or unit.

WHEN MOVING THE UNIT

When changing the unit's location, or packing the unit for moving, be sure to remove the record. Moving this unit with the record or disc loaded may result in damage to this unit. If the unit is to be packed and moved a great distance, it is also advisable to remove the legs when transporting.

HANDLING THE VINYL RECORDS

- Do not touch the record's grooves. Only handle records by edges or label. Make sure your hands are clean. Skin oils from even clean hands can leave a residue on the record surface that will gradually deteriorate the quality of your record.



- Keep your records away from dust. Store in a cool, dry place.
- Keep records in sleeves and jackets when not in use to avoid dust and scratches.
- Store records upright on edges. Records stored horizontally will bend and warp.
- Do not expose records to direct sunlight or high humidity and temperature. Long exposure to high temperatures will warp records.
- Do not store records in the trunk of a car.
- Store records in an area with a stable temperature and low humidity.
- Should the record become dirty, gently wipe surface in a circular motion, using a soft anti-static cloth.

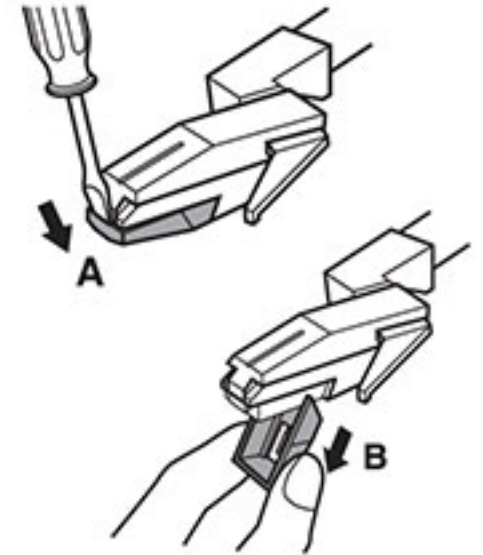


HOW TO REPLACE THE TURNTABLE NEEDLE

The stylus should last about 50 hours under normal use. It is recommended that the stylus be replaced as soon as you notice a change in sound quality. Prolonged use of a worn-out stylus may damage the record. Wear and tear on the stylus will be accelerated when playing 78 RPM records. The higher speed of 78 RPM records can wear the stylus faster.

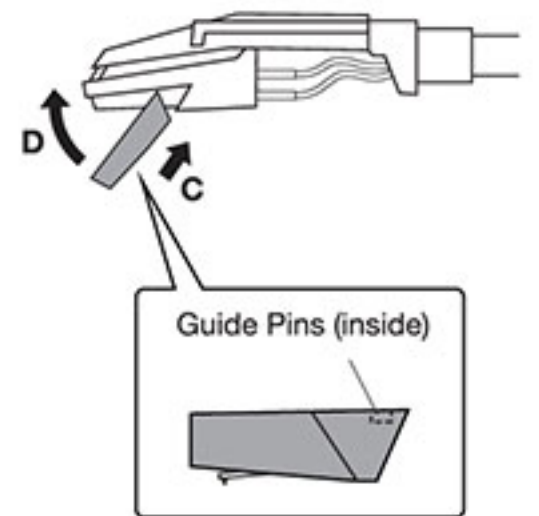
REMOVING THE STYLUS FROM THE CARTRIDGE

1. Set a screwdriver at the tip of the stylus and push down to the direction "A".
WARNING: When applying force to stylus, too much may damage or break the stylus.
2. Pull the stylus out toward the direction "B".



INSTALLING THE STYLUS

1. Hold the tip of the stylus and insert the other edge by pressing toward direction "C".
2. Push the stylus up toward direction "D" until it locks at the tip.



CAUTION

- Do not bend the stylus.
- To avoid injury, do not touch the needle.
- Turn off the unit before you replace the needle.
- Keep out of reach of children.
- Handle with care, as the stylus is delicate. Use of a bent or broken stylus may damage the record and cause the turntable to malfunction.
- Do not expose the stylus to extreme heat.
- Contact a qualified repair company if you have experienced difficulty in changing the stylus.

REPLACEMENT NEEDLE # ITNP-S1

HOW TO OPEN/CLOSE THE TURNTABLE COVER

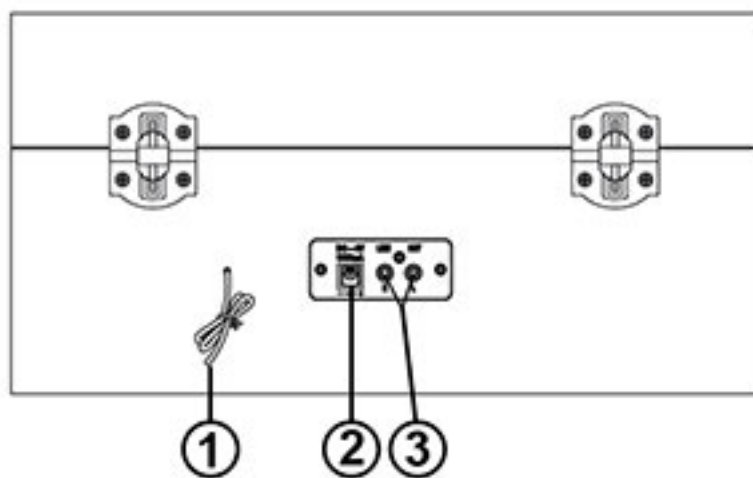
TO OPEN:

1. Unclasp the buckles on either side of the unit.
2. Lift up the turntable cover all the way until it stops.
3. Secure the hinge on the right side of the unit so that the cover will remain open.
Caution: Make sure you don't pinch your fingers when securing the hinge.

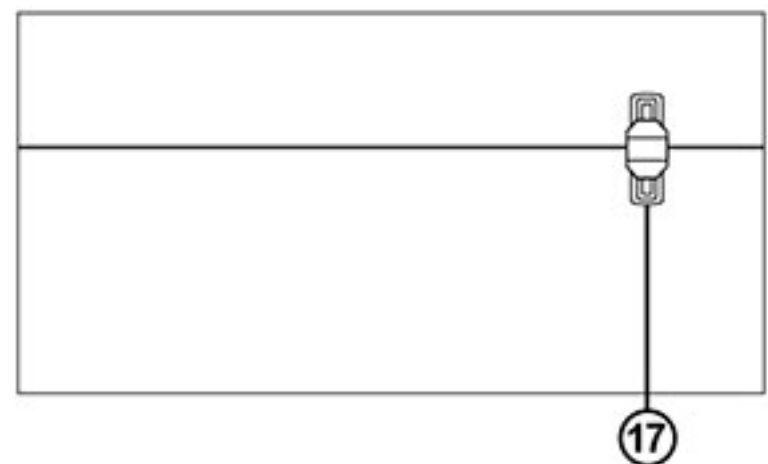
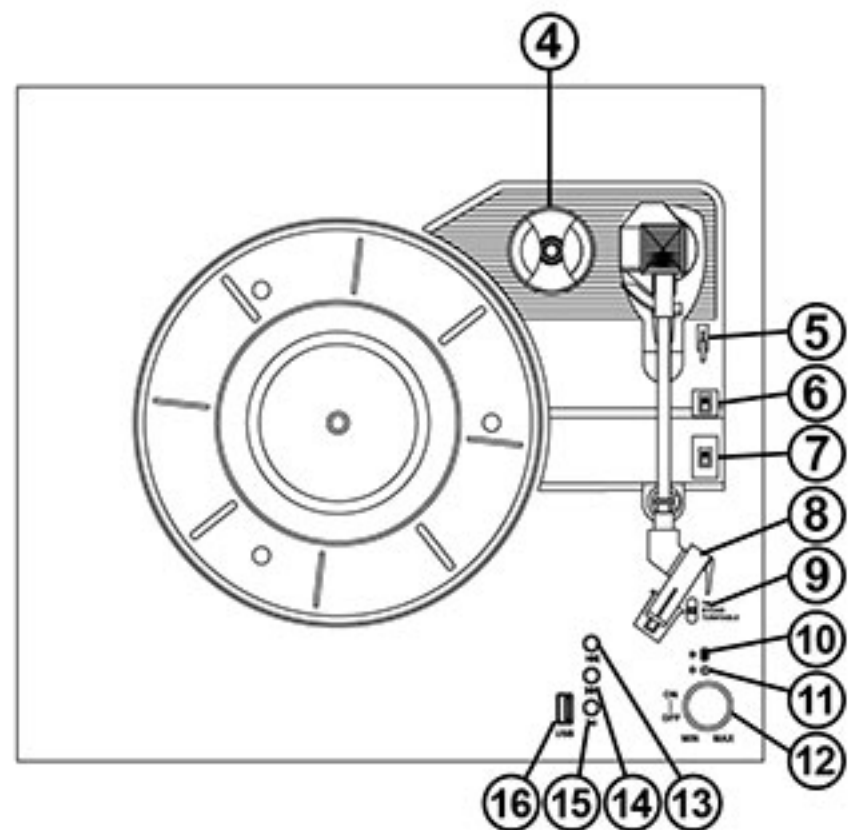
TO CLOSE:

1. Slightly lift the cover and pull the hinge.
2. Lower the cover until it closed, then re-clasp the buckles on the side of the unit.
Caution: Make sure you don't pinch your fingers when closing the cover.

TURNTABLE PARTS



1. FM Antenna
2. DC 5V Jack
3. RCA Line Out Jack
4. 45 RPM Adaptor
5. Lift Lever
6. Auto-Stop Switch
7. Speed Selector
8. Turntable Cartridge
9. Function Mode Switch
10. Bluetooth LED Indicator
11. Power LED Indicator
12. Volume/Power Knob
13. PREVIOUS Button (FM/USB)
14. NEXT Button (FM/USB)
15. PLAY/PAUSE/RECORD Button
16. USB Port
17. Metal Bracket (On Both Sides)



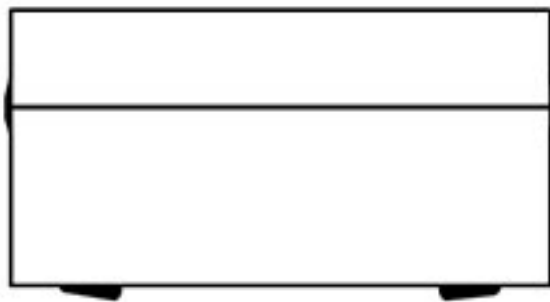
ASSEMBLY INSTRUCTIONS - ATTACHING THE LEGS

Carefully turn the unit over and place it onto a flat, smooth surface. Line up the screws on the legs/feet to the metal mounting brackets on the bottom of the unit. Take each leg/foot and screw it into the metal brackets until they are tightly secure. When finished, turn over the unit and make sure it stands firmly on a flat surface.

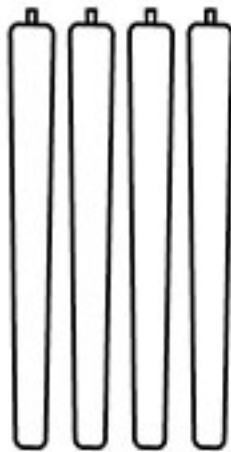
NOTE: There are two legs options: Long Wood Legs (4x) and Short Feet (4x).

NOTE: When the legs/feet are installed properly, they should be at an angle, as shown.

PARTS INCLUDED



Unit with Metal Brackets

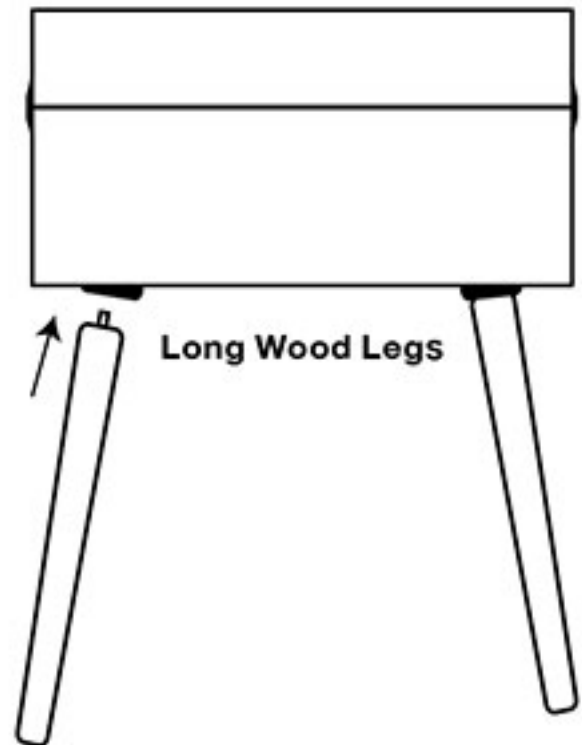


Long Wood Legs (4x)

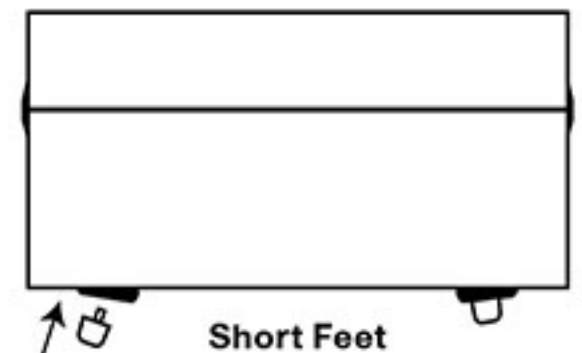


Short Feet (4x)

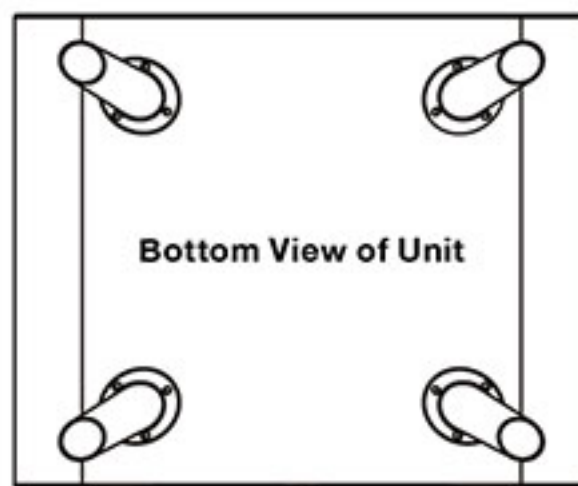
STAND ASSEMBLY



Long Wood Legs



Short Feet



Bottom View of Unit

LISTENING TO THE RADIO

1. Turn the unit ON by switching the POWER knob.
2. Set the FUNCTION SWITCH to the FM position.



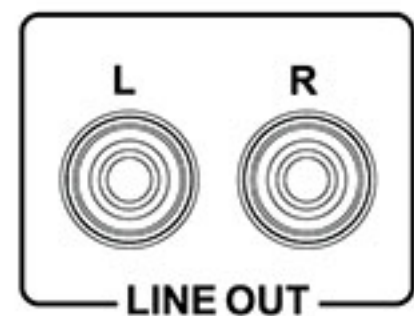
3. Simply press the ►|| button to auto-search the radio stations. Each successful station will be saved automatically the next time the FM Radio function is used.
4. Simply press the ►► to listen to the next station.
5. Simply press the ◀◀ to listen to the previous station.
6. Turn the Volume knob to adjust the volume.
7. In FM mode, the LED Indicator will light up RED when a station signal is strong.

NOTE: If the station reception is poor, extend and move the FM antenna until you receive a station clearly.

LISTENING TO AN EXTERNAL DEVICE VIA RCA OUT

LINE OUT Jacks are on the back of the unit.

For amplifier device listening, first reduce the volume level to minimum. Insert the white and red plugs on the RCA cable (not included) into the back of the unit, then insert the opposite end into your amplifier device. Be sure to connect the white plug into the white jack and the red plug into the red jack.

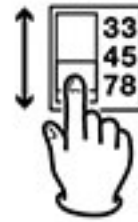


LISTENING TO A VINYL RECORD

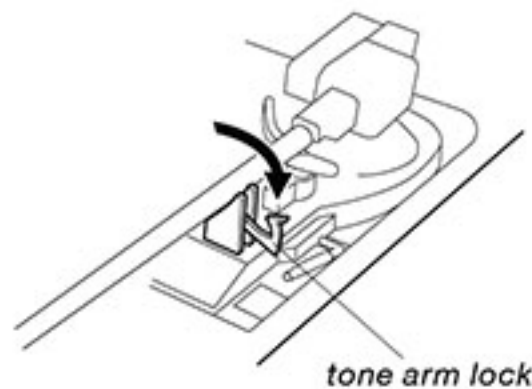
1. Turn the unit ON by switching the Power Knob.
2. Set the Function Switch to the TURNTABLE position.
3. Untie the Tone Arm safety tie.
4. Remove the White Needle Guard from the stylus.



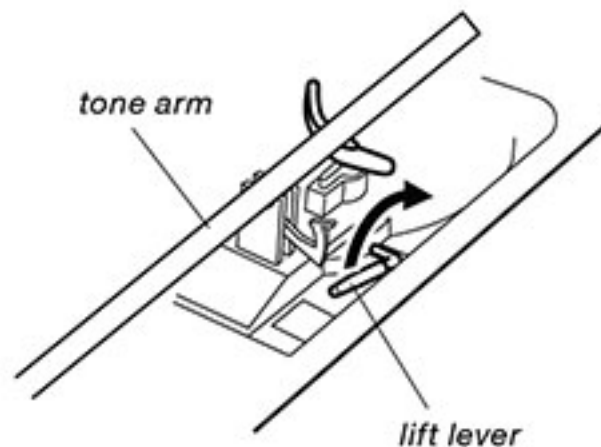
5. Select the record speed.
NOTE: When playing a 45 RPM record, use the included 45 adaptor.



6. Place a record on the platter.
7. Gently push the Tone Arm Lock to the right to release the Tone Arm.

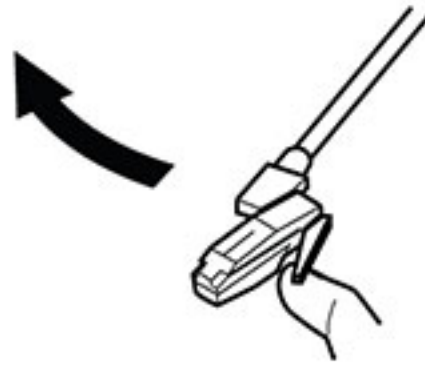


8. Raise the Lift Lever to lift the Tone Arm off the holder.

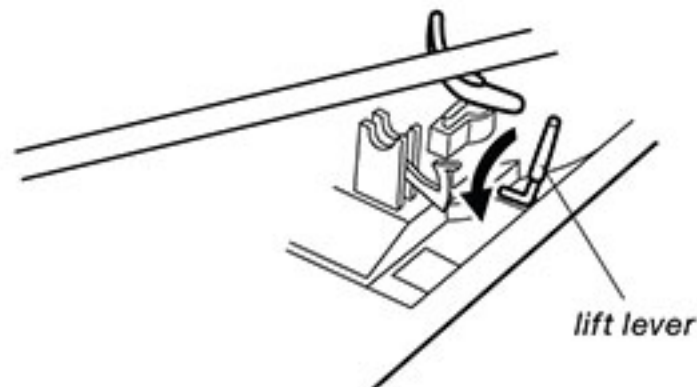


LISTENING TO A VINYL RECORD (CONTINUED)

9. Move the Tone Arm to the edge of the record (or the starting point of a track). The turntable will begin to turn.



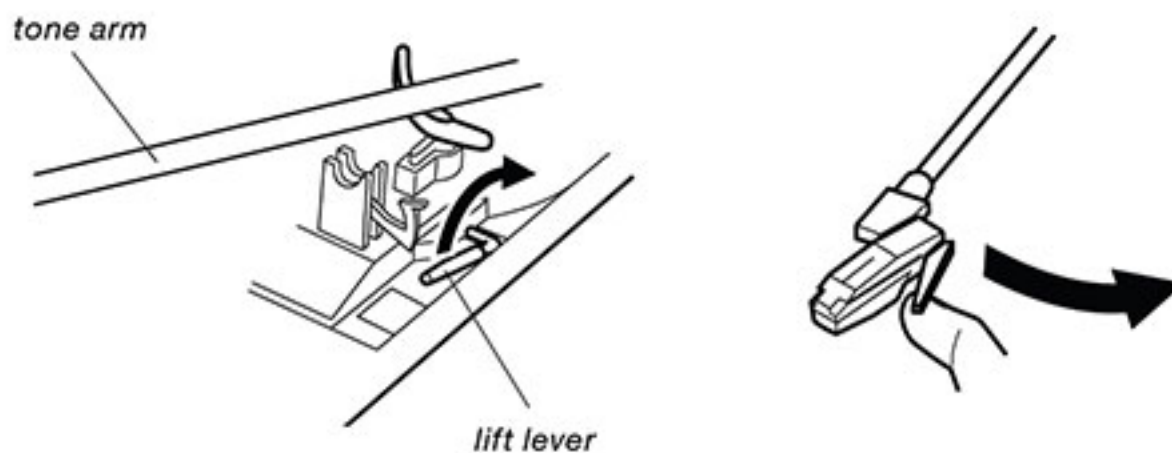
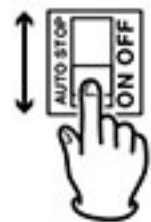
10. Gently lower the Tone Arm using the Lift Lever. You can lower the Tone Arm manually if the Lift Lever has not been raised.



11. Turn the Volume Knob to adjust the volume.

12. When playback has finished, lift the tone arm using the Lift Lever and return it to the Tone Arm Holder. The record will stop rotating.

NOTE: The record will begin to spin only when the tone arm is moved over the record if the Auto Stop is turned on. If the **AUTO AND MANUAL STOP SELECTION SWITCH** is turned ON, the record will stop automatically when finished. If this switch is at OFF position, record will continue to spin.



LISTENING TO AN EXTERNAL DEVICE VIA BLUETOOTH

1. Turn the unit ON by switching the POWER knob.
2. Set the FUNCTION SWITCH to the BT/USB position.
The Bluetooth LED Indicator will begin to flash Blue.



3. Ensure that the Bluetooth function is activated on your external device.
The device "VTA-75" will appear on your device's search list.
4. Select "VTA-75" and a sound will chime indicating that the connection to the unit was successful. *A password may be required to enter depending on the device manufacturer, model or software version of your device. If a password is asked, type "0000" and press enter.*
5. Once the device is connected the Bluetooth LED Indicator will remain lit.
6. Turn the Volume Knob to adjust the volume.
7. Press ◀◀ and ▶▶ to choose the NEXT or PREVIOUS track.
Press ▶|| to PAUSE or PLAY the current track.
NOTE: *An external Bluetooth device will automatically reconnect with the unit after being paired for the first time.*

LISTENING TO AN EXTERNAL DEVICE VIA USB

1. Turn the unit ON by switching the POWER knob.
2. Set the FUNCTION SWITCH to the BT/USB position.



3. When the Bluetooth LED Indicator is flashing, insert a USB Stick into USB port. The unit will automatically begin playing the music on the USB stick.
4. Press **⏮** and **⏭** to choose the NEXT or PREVIOUS track. Press **⏸** to PAUSE or PLAY the current track.

RECORDING FROM VINYL TO USB

1. Turn the FUNCTION SWITCH to the TURNTABLE position to play a vinyl record and then insert the USB stick into a USB port.



2. Press **⏸** to begin recording the record, the Bluetooth LED Indicator will lit up. When you stop recording, press **⏸** again and the LED Indicator will turn off.
3. Remove the USB stick and turn the FUNCTION SWITCH to the BT/USB position. Re-insert the USB stick to listen to the recorded track.



4. Follow the listening to a device via USB directions for further instructions.

TROUBLESHOOTING

If you experience any problems with the unit, please take a moment to look through this guide and see if you can solve the problem yourself before you call your dealer.

General

No power:

- Check the connection to the AC power source. Make sure the AC source is not a switched outlet and if it is, turn the switch on. Make sure there is power to the AC outlet by plugging another item such as a lamp or fan.

No sound:

- Adjust the volume.

The sound has interference:

- The unit is too close to a TV set or similar appliance. Relocate the unit further away from them, or turn the other appliances off.

Radio

Cannot listen to any station, or signal is too weak:

- Tune in the station properly.
- If a TV is near the unit, turn it off.
- Rotate the unit or antenna wire for the best reception position.

Record Player

Will not play:

- Turn the VOLUME KNOB clockwise.
- Remove the white plastic stylus guard from the needle, failing to remove will not allow the needle to contact the grooves of the record and no sound will be heard!
- If the stylus is worn-out, change the stylus. Select the correct playback speed.

Sound skips:

- Place the unit on a stable surface to avoid vibration and shock. Make sure the unit is level both front to back and side to side.
- Clean the surface of the record/disc.
- Do not use scratched, damaged or warped records/discs.

TROUBLESHOOTING (CONTINUED)

If normal operation cannot be obtained, unplug the power cord from the outlet and plug it again.

Beware of condensation

When the unit (or a record) is moved from a cold to warm place, or used after a sudden temperature change, condensation may form; vapor in the air could condense on the internal mechanism, making correct operation erratic or impossible. To prevent this, or if this occurs, leave the unit turned off for one or two hours. The unit will stabilize at the temperature of its surroundings.

Maintenance

Always keep the turntable clean. If the surface of the unit gets dirty, wipe with a soft dry cloth or use a diluted mild liquid soap. Be sure to remove any excess liquid completely. Do not use thinner, benzine or alcohol as they may damage the surface of the unit. Allow the surface of the unit to dry completely before using.

SPECIFICATIONS

Amplifier

Output Power 2 x 2.3 W

Bluetooth

Working Range 33 feet (10 meters)

Tuner

Frequency Range (FM) 87.5MHz to 108MHz

Record Player

Motor DC servo motor

Drive System Belt Drive

Speed 33-1/3 RPM, 45 RPM, 78 RPM

Stylus ITNP-S1

Speaker System

Unit 1-way

Impedance 4 ohms

General

| | |
|------------------------------------|--|
| Power Requirements..... | AC100-240/50-60Hz |
| Power Consumption..... | 9.5W |
| Dimensions (with wood legs)..... | L 383mm x W 345mm x H 703mm L 15 in x W 13.6 in x H 27.6 in |
| Dimensions (with rubber feet)..... | L 383mm x W 345mm x H 225mm L 15 in x W 13.6 in x H 8.85 in |
| Dimensions (unassembled)..... | L 383mm x W 345mm x H 215mm L 15 in x W 13.6 in x H 8.46 in |
| Weight (with wood legs)..... | 14 lbs / 6.35 kgs |
| Weight (with rubber feet)..... | 12.2 lbs / 5.53 kgs |
| Weight (unassembled)..... | 12 lbs / 5.44 kgs |

Accessories Included

Owner's Manual
Warranty (Back of Manual)
AC Power Adaptor
45 RPM Adaptor
Turntable Sheet
Rubber Feet (4x)
Wood Legs (4x)

Design and specification are subject to change without notice
Photos and illustrations may differ slightly from the production models.

Victrola is a registered trademark of Innovative Technology Electronics LLC.

Bluetooth is a registered trademark of Bluetooth SIG, Inc.
Other trademarks and trade names are those of their respective owners.

Made in China.

FCC STATEMENT

Warning: Changes or modifications to this unit not expressly approved by the party responsible for compliance could void the user authority to operate the equipment.

NOTE: This equipment has been tested and found to comply with the limits for Class B digital device, pursuant to part 15 of the FCC Rules. These limits are designed to provide reasonable protection against harmful interference in a residential installation. This equipment generates, uses and can radiate radio frequency energy and, if not installed and used in accordance with the instructions, may cause harmful interference to radio or television reception, which can be determined by turning the equipment off and on, the user is encouraged to try to correct the interference by one or more of the following measures:

- Reorient or relocate the receiving antenna.
- Increase the separation between the equipment and the receiver.
- Connect the equipment into an outlet on a circuit different from that to which the receiver is connected.
- Consult the dealer or an experienced radio/TV technician for help.

Innovative Technology Electronics LLC.
Limited Warranty: 90 Days Labor, One Year Parts

Innovative Technology Electronics LLC. (IT) warrants the product to be free from "Defects" in materials under normal use for a period of "One Year" from the date of the original purchase. The Warranty is "Not" transferable. IT agrees, within the initial "90 Day" period, to repair or replace the product if it is determined to be defective at "No Charge". It is further agreed that IT will cover the cost to repair or replace damaged "Parts" only for a total period of "One Year" from the date of the original purchase. The warranty does not cover cosmetic damage, antennas, AC cords, cabinets, headbands, ear-pads, or damage due to line power surges, connection to improper voltage supply or settings, misuse, mishandling, accident, acts of God or attempted repair by an unauthorized service agent. **To obtain service, the purchaser MUST present an original sales receipt / proof of purchase. Please contact us at www.victrola.com to request an RMA (Return Material Authorization) number to return products for service or replacement.** Returns without an RMA number on the package will be refused and returned to sender. Upon receipt of the returning item and our full inspection (IT) may issue a replacement to customer for the same item or of one that has equivalent value and features. To return an item, supply full name, return address, phone number, item purchased, receipt of purchase and reason for return to obtain RMA number.

All returns must be in the original packaging or reasonable substitute to prevent damage. Customer "Must" include full name, shipping address and telephone number inside of package. No return will be shipped back to a PO Box or APO address. Please include your check or money order in the amount of

- **USD \$5.00 for items \$10.00 to \$39.99 (Price Paid Per Unit)**
- **USD \$10.00 for items \$40.00 to \$99.99 (Price Paid Per Unit)**
- **USD \$16.00 for items \$100.00 and up (Price Paid Per Unit)**
- **Shipping fees are non-refundable**

to be payable to Innovative Technology Electronics LLC. (for handling and return shipping charges) (IT) will not be responsible for delays or unprocessed claims resulting from a purchaser's failure to provide any / all of the necessary information. Send all inquiries or RMA request via our website www.victrola.com/pages/technical-support.

Innovative Technology Electronics LLC.
1 Channel Drive, Port Washington, NY 11050
Toll free: 1-877-483-2497
Website for support: www.victrola.com/pages/technical-support

There are no express warranties except as listed above. REPAIR OR REPLACEMENT AS PROVIDED UNDER THIS WARRANTY IS THE EXCLUSIVE REMEDY OF THE CUSTOMER, (IT) SHALL NOT BE LIABLE FOR ANY INCIDENTAL OR CONSEQUENTIAL DAMAGES FOR BREACH OF ANY EXPRESS OR IMPLIED WARRANTY ON THIS PRODUCT EXCEPT TO THE EXTENT PROHIBITED BY APPLICABLE LAW. ANY IMPLIED WARRANTY OF MERCHANTABILITY OR FITNESS FOR A PARTICULAR PURPOSE ON THIS PRODUCT IS LIMITED IN DURATION TO THE DURATION OF THIS WARRANTY. Some states do not allow the exclusion or limitation of incidental or consequential damages, or limitations on how long an implied warranty lasts, so the above exclusions or limitations may not apply to you. This warranty gives you specific legal rights and you may also have other rights, which vary from state to state.