

# VICTROLA™



## THE **EASTWOOD** SIGNATURE

**MODEL: VTA-73**  
**INSTRUCTION MANUAL**

PLEASE READ THIS INSTRUCTION MANUAL CAREFULLY  
BEFORE USE AND KEEP IT FOR FUTURE REFERENCE.

# CONTENTS

Safety Instructions.....	2
Product Overview.....	4
Setup/Basic Operation.....	6
Vinyl Record Operation.....	7
Bluetooth Operation.....	8
Bluetooth-Out Operation.....	8
Maintenance/Proper Handling.....	9
Specifications.....	10
Troubleshooting Guide.....	11
FCC Statement and Other Information .....	12
Warranty.....	13

## WARNING

- Always follow basic safety precautions when using this appliance, especially when children are present.
- Children should be supervised to ensure that they do not play with the appliance.
- Do not damage the power cord, neither do not place any heavy objects on it, do not stretch it or bend it. Also do not attach extension cables. Damage to the power cord may occur fire or electric shock.
- If the supply cord is damaged, it must be replaced by the manufacturer, a service agent or similarly qualified persons in order to avoid a hazard.
- Ensure that the unit is plugged into an AC 100-240V 50/60Hz power outlet. Using higher voltage may cause the unit to malfunction or even catch fire.
- If the power plug does not fit into your outlet, do not force the plug into an electrical socket if it does not fit.
- Turn off the unit before unplugging it from power source to completely switch it off.
- Do not disconnect or connect the power cord with wet hands. It may cause an electric shock.
- Ensure that the mains plug is always easily accessible.
- This product does not contain any parts that are serviceable by the user. In case of a fault, contact the manufacturer or authorized service department. Exposing the internal parts inside the device may endanger your life. The manufacturers guarantee does not extend to faults caused by repairs carried out by unauthorized third parties.
- Do not use this product immediately after unpacking. Wait until it warms up to room temperature before using it.
- Ensure this product is used in moderate climates only (not in tropical/subtropical climates).
- Place product on a flat, stable surface that is not subject to vibrations.
- Ensure the product and its parts are not overhanging the edge of the supporting furniture.
- To reduce the risk of fire, electric shock or damage to this product, do not expose it to direct sunlight, dust, rain and moisture. Never expose it to dripping or splashing and do not place objects filled with liquids on or near the product.
- Do not place objects filled with liquids, such as vases, on the apparatus.
- Do not install near any heat sources such as radiators, heat registers, stoves, or other apparatus (including amplifiers) that produce heat.
- Do not place the product where the humidity is high and ventilation is poor.
- Don't mount this product on a wall or ceiling.
- Do not place the unit near TVs, speakers and other objects that generate strong magnetic fields.
- Do not leave the unit unattended when in use.
- Allow at least 30 cm clearance from the rear and the top of the unit and 5 cm from each side. Always ensure that the ventilation openings are not covered with items such as newspapers, tablecloths, curtains, etc.
- NEVER let anyone, especially children, push anything into holes, slots or any other openings in the unit's casing as this could result in a fatal electric shock.
- Storms are dangerous for all electric appliances. If the main or aerial wiring is struck by lightning, the appliance might get damaged, even if it is turned off. You should disconnect all the cables and connectors of the appliance before a storm.
- Excessive sound pressure from headphones can cause hearing loss.
- Do not cover ventilation openings, this is not intended to be used on soft support.

### MAINTENANCE

- Unplug the power cable from the power source before cleaning the appliance.
- Use a soft and clean rag to clean the outside of the unit. Never clean it with chemicals or detergent.

# SAFETY INSTRUCTIONS

## POWER ADAPTER

- To disconnect the unit from the main supply, unplug the lead from the main socket.
- Only use the supplied main adaptor, as failure to do this may result in a safety risk and/or damage to the unit.
- The main plug of power adaptor is used as the disconnect device. The socket-outlet shall be installed near the equipment and shall be easily accessible.

**TO PREVENT FIRE OR SHOCK HAZARD, DO NOT USE THIS PLUG WITH AN EXTENSION CORD, RECEPTACLE OR OTHER OUTLET UNLESS THE BLADES CAN BE FULLY INSERTED TO PREVENT BLADE EXPOSURE. TO PREVENT FIRE OR SHOCK HAZARD, DO NOT EXPOSE THIS APPLIANCE TO RAIN OR MOISTURE.**

 <p>The lightning flash with arrowhead within an equilateral triangle is intended to alert the user to the presence of uninsulated "dangerous voltage" within the product's enclosure that may be of sufficient magnitude to constitute a risk of electric shock.</p>	<p><b>CAUTION</b></p> <p><b>RISK OF ELECTRIC SHOCK DO NOT OPEN</b></p> <p><b>CAUTION: TO PREVENT RISK OF ELECTRIC SHOCK, DO NOT REMOVE COVER (OR BACK). NO USER-SERVICEABLE PARTS INSIDE. REFER SERVICING TO QUALIFIED SERVICE PROFESSIONAL.</b></p>	 <p>The exclamation point within an equilateral triangle is intended to alert the user to the presence of important operating and maintenance (servicing) instructions in the literature accompanying the appliance.</p>
--	--	---

Please read these safety instructions and respect the following warnings before the appliance is operated:

- ~ AC voltage
- ≡ DC voltage
- Class II equipment
- 🏠 For indoor use only
- Ⓜ Energy efficiency marking with level VI
- ⚡ Polarity of D.C. power connector

- The shown above appears on electrical and electronic equipment (or the packaging) to remind users of this.
- Users are requested to use existing return facilities for used equipment and batteries.

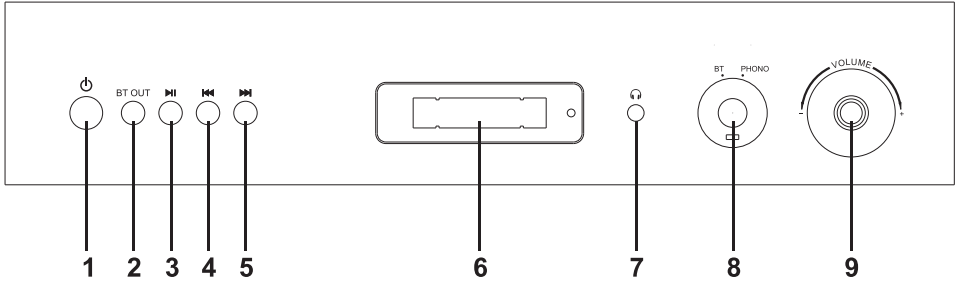


## ACCESSORIES INCLUDED

- INSTRUCTION MANUAL
- WARRANTY (BACK OF MANUAL)
- POWER ADAPTOR
- SILICONE SLIPMAT

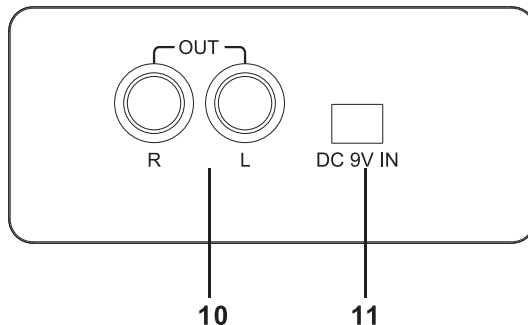
# PRODUCT OVERVIEW

## Front View



1. **POWER:** Press to turn the unit ON or OFF.
2. **BT OUT:** Press to activate the Bluetooth output function.
3. **PLAY/PAUSE (▶||)**  
Press to start playback, press again to pause.  
Long press the button for 3 seconds to disconnect the Bluetooth pairing.  
(NOTE: This button only works in Bluetooth mode.)
4. **PREVIOUS (◀◀)**  
Skip to the previous track or station.
5. **NEXT (▶▶)**  
Skip to the next track or station.
6. **Display Screen**
7. **3.5mm EARPHONE JACK:** Accepts headphone/earphone plugs.
8. **BT/PHONO KNOB:** Turn to select BT/PHONO mode.
9. **VOLUME KNOB:** Turn to adjust volume.

## Rear View



## PRODUCT OVERVIEW

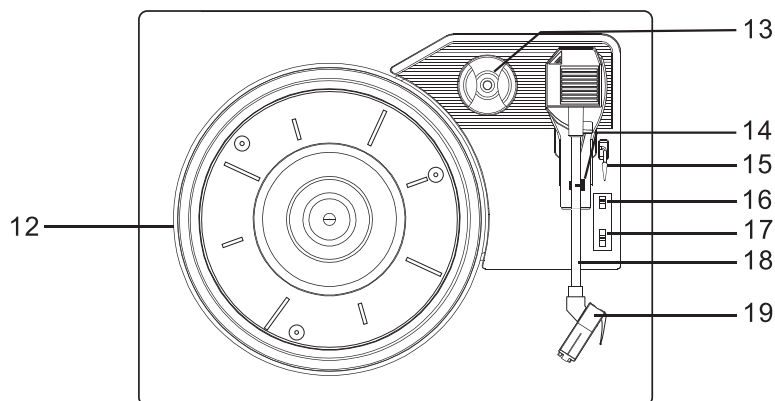
### 10. LINE OUT jacks

For amplifier device with RCA auxiliary input sockets, insert the white and red plugs on the RCA cable into the unit. Insert the opposite end into the amplifier device. Be sure to connect the white plug to the white jack and the red plug to the red jack.

### 11. DC Input Jack

Connect the power adapter to the jack to power on the unit.

### Part of the Turntable



### 12. Turntable

### 13. 45 RPM adapter

### 14. Tone Arm holder

15. **Cue Lever:** Before use, gently push the Tone Arm holder to the right to release the TONE ARM.

16. **AUTO STOP ON/OFF SWITCH:** Switch "ON", the turntable will stop automatically when finish playing. Switch "OFF", the turntable will keep turning when finished playing.

### 17. Speed Selector

### 18. Tone Arm

### 19. STYLUS

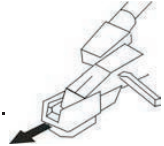
# SETUP/BASIC OPERATION

## Setup

1. Remove white protective needle cover by gently pulling towards front of unit.
2. Remove any packaging materials from the unit.
3. Connect the power adapter to the DC Input jack to power on the unit.

## Note:

- It is strongly recommended that this product should be operated only from the type of power source indicated on the marking label.



## Basic Operation

1. Press the POWER button to turn the unit on.
2. Select mode by turning the BT/PHONO KNOB.
3. Rotate the VOLUME KNOB to adjust to the desired sound level.

## Listening through RCA LINE OUT

For amplifier device listening, first reduce the volume level to minimum. Insert the white and red plugs on the RCA cable into the unit, then insert the opposite end into the amplifier device. Be sure to connect the white plug to the white jack and the red plug to the red jack.

## Listening through Earbuds/Headphones (not included)

For private listening, first reduce the volume level to minimum. Insert your headphones' plug into the 3.5mm jack, then adjust the volume up by turning the VOLUME KNOB.

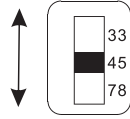
**Note:** The speakers will automatically be deactivated while headphones are plugged in.

## CONDENSATION WARNING:

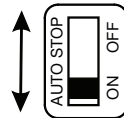
When the unit is moved from a cold or warm place, or is used following a sudden temperature change, there is the danger that water vapor in the air may condense on the unit, preventing proper operation. In such cases, leave the unit for 1-2 hours after plugging it into an AC outlet to allow it to stabilize at the temperature of its surroundings.

## VINYL RECORD OPERATION

1. Turn the unit ON by pressing the POWER button.
2. Turn the BT/PHONO KNOB to enter the PHONO mode.
3. Gently open the dust cover.
4. Put the record on the turntable. Select the speed. When playing a 45 RPM record, use the included 45 adaptor.
5. Gently push the Tone Arm holder to the right to release the TONE ARM.
6. Raise the Cue Lever to lift the TONE ARM off the tone arm support.
7. Move the TONE ARM gently to the edge of the record (or the starting point of the track). The turntable will begin to turn.
8. Gently lower the TONE ARM by slowly releasing the CUE LEVER. *You can lower the TONE ARM manually if the CUE LEVER has not been raised.*
9. Turn the VOLUME KNOB to adjust the volume.
10. When playback has finished, slightly lift the tone arm using the CUE LEVER and return it to the TONE ARM holder.



Auto and Manual Stop Selection Switch: If this switch is turned ON, The record will start spinning when the tone arm moves over the record and the record will stop automatically when playback is finished. If this switch is OFF, the record will automatically begin to spin when the unit is in "VINYL" function mode and the record will continue to spin after playback is finished.





## BLUETOOTH OPERATION

An external device with Bluetooth Connectivity can be wirelessly connected to this turntable using the Bluetooth Function.

### GETTING CONNECTED USING BLUETOOTH

1. Turn the BT/PHONO KNOB to select BT mode. The “bt” will flash on the Display Screen.
2. Turn your external devices’ Bluetooth Setting ON. Wait a moment, then look for the Bluetooth Pairing name “**Eastwood Signature**”

**NOTE:** The effective distance between your external device and this unit is 10 meters (33ft).

3. Select the Bluetooth pairing name, to connect the unit. Once connected the “bt” on the Display Screen will stop flashing.
4. Select the music media files on your external device, then press the PLAY/PAUSE button ( ▶|| ) to begin playback.
5. To temporarily pause playback, press the PLAY/PAUSE button ( ▶|| ) when playback. Press again to resume.
6. To skip to the previous or the next tracks, press the PREVIOUS/NEXT button ( ◀◀ or ▶▶ ) to listen.

## VINYL STREAM™ - BLUETOOTH OUT OPERATION

The product supports Bluetooth wireless connection (BT-OUT). It can be connected with external Bluetooth-compatible headphones (not included) and Bluetooth speakers (not included).

1. When playing your vinyl record, press the BT OUT button.
  2. The “ ✂ ” icon flashes on the Display Screen.
  3. Turn ON your external Bluetooth receiver device (such as Bluetooth headphones and Bluetooth Speakers) and set to pairing mode.
  4. Wait for 5-20 seconds, they will make connection to each other automatically.
  5. The “ ✂ ” icon stops flashing once successful paired.
  6. Control the playback from your BT speaker.  
(You can only adjust the volume from your external Bluetooth Device.)
- Place the Bluetooth device within 1m (3.3') of the product to perform pairing correctly.
  - The product stays in the pairing mode for about 30 seconds. If pairing is not properly completed, follow the above steps again from the beginning after turning all devices OFF.
  - "BT OUT" is only compatible with vinyl record playback.

# MAINTENANCE/PROPER HANDLING

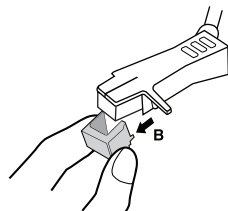
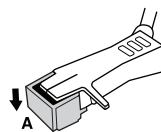
## Handling Vinyl Records

- Do not touch the record's grooves. Only handle records by the edges or the label with clean hands. Touching the record surface will cause your record's quality to deteriorate.
- To clean a record, use a soft anti-static cloth to gently wipe the record surface.
- Keep records in their protective sleeves when not in use.
- Always store records upright on their edges.
- Avoid placing records in direct sunlight, close to a heat source (radiators, stoves, etc.), or in a location subject to vibration, excessive dust, heat, cold or moisture.

## How to Replace the Turntable Stylus (Replacement Stylus # ATN3600L)

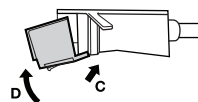
### Removing the Stylus from the Cartridge

1. Place your fingers at the tip of the stylus and push down to the direction "A".  
*WARNING: When applying force to stylus, too much may damage or break the cartridge.*
2. Pull the stylus out toward the direction "B".



### Installing the Stylus

1. Hold the tip of the stylus and insert the other edge by pressing toward direction "C".
2. Push the stylus up toward direction "D" until it locks at the tip.



### Caution:

- Do not remove or bend the stylus needle.
- Do not touch the needle to avoid injury to your hand.
- Turn off the unit's power before you replace the stylus.
- Keep out of reach of children.

*Please note: The stylus should last about 300 hours under normal use. It is recommended that the stylus be replaced as soon as you notice a change in sound quality. 78 RPM records may accelerate stylus wear and may have to be changed sooner.*

## SPECIFICATIONS

### GENERAL

Power Adaptor ----- 9V/1.5A  
Power Consumption ----- 13.5W  
Power Output ----- 2 x 5 W  
Size ----- 12.7" (322mm) W x 12.3 (312mm) D x 5.2" (131mm) H  
Weight ----- 4.5 lbs (2kg)  
Operating Temperature ----- 5°C - + 40°C

### RECORD PLAYER

Speeds ----- 33-1/3 RPM, 45RPM and 78 RPM

### BLUETOOTH

Bluetooth Version ----- V5.1  
Bluetooth Profiles ----- A2DP, AVRCP  
Bluetooth Frequency Range ----- 2.402GHz-2.480GHz  
Operating Distance ----- 10 meters (33ft)

### ADAPTOR

Manufacturer ----- DONGGUAN HP-POWER TECHNOLOGY.LIMITED  
Model ----- HP18A-0901500-AU

### Auto Stand-by mode

After 15 minutes without any audio input, the device will automatically switch into standby mode. Please follow up the instruction manual to resume the operations.

## TROUBLESHOOTING GUIDE

	Symptom	Possible Cause	Solution
<b>BLUETOOTH</b>	<ul style="list-style-type: none"> <li>No sound</li> </ul>	<ul style="list-style-type: none"> <li>The unit is not switched to Bluetooth mode.</li> <li>Your device's and/or your unit's volume is not turned up.</li> <li>Your device is too far from the unit or there's some obstacle between your device and your unit.</li> </ul>	<ul style="list-style-type: none"> <li>Ensure the unit is switched to BT mode.</li> <li>Move your Bluetooth device closer to unit.</li> <li>Turn up the volume on your portable device and/or the unit.</li> <li>Turn OFF your bluetooth device and unit. Then power them both back ON.</li> </ul>
	<ul style="list-style-type: none"> <li>Sound has a lot of static</li> </ul>	<ul style="list-style-type: none"> <li>Your device is too far away.</li> </ul>	<ul style="list-style-type: none"> <li>Bring your device closer to the turntable.</li> </ul>
	<ul style="list-style-type: none"> <li>Unable to pair with a Bluetooth device</li> </ul>	<ul style="list-style-type: none"> <li>Your device doesn't have Bluetooth connectivity.</li> <li>The Bluetooth pairing is not successful</li> </ul>	<ul style="list-style-type: none"> <li>Confirm that your device is Bluetooth compatible.</li> <li>Re-pair the unit and device again.</li> </ul>
<b>BT-OUT</b>	<ul style="list-style-type: none"> <li>The connection takes too long</li> </ul>	<ul style="list-style-type: none"> <li>The time of connection depends on the connecting device</li> </ul>	<ul style="list-style-type: none"> <li>Wait for a moment</li> <li>Turn OFF your bluetooth device and unit. Then power them both back ON.</li> </ul>
<b>PHONO</b>	<ul style="list-style-type: none"> <li>Decline in turntable audio performance</li> </ul>	<ul style="list-style-type: none"> <li>The turntable stylus is worn out.</li> </ul>	<ul style="list-style-type: none"> <li>Replace the stylus.</li> </ul>
<b>GENERAL</b>	<ul style="list-style-type: none"> <li>Unit will not power on</li> </ul>	<ul style="list-style-type: none"> <li>Unit is unplugged.</li> </ul>	<ul style="list-style-type: none"> <li>Connect the DC power adapter to the jack.</li> </ul>
	<ul style="list-style-type: none"> <li>No sound output from speakers</li> </ul>	<ul style="list-style-type: none"> <li>The volume level is set too low.</li> <li>The input selector does not match the playback source.</li> </ul>	<ul style="list-style-type: none"> <li>Adjust the volume.</li> <li>Select the correct input source.</li> </ul>
	<ul style="list-style-type: none"> <li>Noise/Distortion in sound output</li> </ul>	<ul style="list-style-type: none"> <li>The unit is too close to a TV set or another interfering device.</li> </ul>	<ul style="list-style-type: none"> <li>Turn off the TV or other appliance, and relocate the unit.</li> </ul>
	<ul style="list-style-type: none"> <li>Unit fails to respond</li> </ul>	<ul style="list-style-type: none"> <li>It might result from external factors such as ESD (Electro-static discharge).</li> </ul>	<ul style="list-style-type: none"> <li>Disconnect the power cord and external audio device. Re-plug the power cord after one minute.</li> </ul>

## FCC STATEMENTS

**Caution:** the user is cautioned that charges or modifications not expressly approved by the party responsible for compliance could void the user's authority to operate the equipment.

This device complies with part 15 of the FCC rules and Industry Canada license-exempt RSS standard(s). Operation is subject to the following two conditions:

- (1) This device may not cause harmful interference, and
- (2) This device must accept any interference received, including interference that may cause undesired operation.

Le présent appareil est conforme aux CNR d'Industrie Canada applicables aux appareils radio exempts de licence. L'exploitation est autorisée aux deux conditions suivantes:

- (1) l'appareil ne doit pas produire de brouillage, et
- (2) L'utilisateur de l'appareil doit accepter tout brouillage radioélectrique subi, même si le brouillage est susceptible d'en compromettre le fonctionnement.

**NOTE:**

This equipment has been tested and found to comply with the limits for a Class B digital device, pursuant to Part 15 of the FCC Rules. These limits are designed to provide reasonable protection against harmful interference to radio communications. However, there is no guarantee that interference will not occur in a particular installation.

If this equipment does cause harmful interference to radio or television reception, which can be determined by turning the equipment off and on, the user is encouraged to try to correct the interference by one of more of the following measures:

- Reorient or relocate the receiving antenna.
- Increase the separation between the equipment and receiver.
- Connect the equipment into an outlet on a circuit different from that to which the receiver is connected
- Consult the dealer or an experienced radio/TV technician for help.

## FCC STATEMENTS

### **FCC & IC RADIATION EXPOSURE STATEMENT:**

This equipment complies with FCC and Canada radiation exposure limits set forth for an uncontrolled environment. This equipment should be installed and operated with a minimum distance of 20cm between the radiator and your body. This transmitter must not be co-located or operating in conjunction with any other antenna or transmitter.

### **DÉCLARATION D'IC SUR L'EXPOSITION AUX RADIATIONS:**

Cet équipement est conforme aux limites d'exposition aux radiations définies par le Canada pour des environnements non contrôlés. Cet équipement doit être installé et utilisé à une distance minimum de 20cm entre l'antenne et votre corps. Cet émetteur ne doit pas être installé au même endroit ni utilisé avec une autre antenne ou un autre émetteur.

## WARRANTY INFORMATION

### **United States**

Victrola (Innovative Technology Electronics, LLC) warrants to the original retail purchaser that this product will be free from defective materials and workmanship for one (1) year from the date of purchase, subject to the limitations below. This warranty period is not extended if we replace the product.

To obtain a replacement under the terms of this warranty, you must contact the dealer from which it was purchased with your original receipt. If assistance from the dealer from which it was purchased is impossible, you may contact our customer service for warranty assistance at [victrola.com/contact](http://victrola.com/contact).

Except as limited below, if the product proves defective in either material or workmanship within one (1) year from the date of purchase, Victrola will replace the product at no charge. If the product model is no longer available and cannot be replaced with an identical model, Victrola will issue a merchandise credit for the purchase price to be redeemed at [victrola.com](http://victrola.com).

#### Limitations:

- This limited warranty does not cover failure of the product arising, in whole or in part, from improper installation, storage, transportation, misuse, abuse, accident, neglect, mishandling, unauthorized repair, modification, or wear from ordinary use or environmental deterioration.
- This limited warranty does not cover cosmetic damage, including paint damage, or consequential damage to other components or premises which may result for any reason from the failure of the product.
- This limited warranty is null and void for products not used in accordance with Victrola's instructions.
- This limited warranty terminates if the original retail purchaser sells or otherwise transfers this product.
- This limited warranty is null and void for defects or damage caused by installation or repair performed by any person or entity other than a Victrola authorized installer or dealer.

This warranty gives you specific legal rights, and you may also have other rights which vary from state to state, jurisdiction to jurisdiction or country to country. All express and implied warranties for the product, including but not limited to any implied warranties of merchantability and fitness for a particular purpose, are limited in time to the term of this warranty. Some states, jurisdictions or countries do not allow the exclusion of certain implied warranties or conditions, or limitations on how long an implied warranty or condition lasts, so this limitation may not apply to you. Victrola's responsibility for malfunctions and defects in hardware is limited to replacement or repair as set forth in this warranty statement. Victrola does not accept liability for special, punitive, consequential or incidental damages or losses, whether direct or indirect, including without limitation, any liability for third party claims against you for damages or losses or for products not being available for use. The maximum liability for which Victrola may be responsible will be no more than the amount you paid for the product that is the subject of the claim. Some states, jurisdictions or countries do not allow the exclusion or limitation of special, indirect, incidental or consequential damages, so the above limitation or exclusion may not apply to you.

#### **Canada and US Territories**

The Warranty on this product shall comply with applicable law when sold to a consumer in Canada or a US Territory. To obtain any applicable warranty service, please contact the dealer from which you purchased the product, or the distributor that supplied the product, with your original receipt. If assistance from the dealer from which it was purchased is impossible, you may contact our customer service for warranty assistance at [victrola.com/contact](http://victrola.com/contact).

If this product proves defective in either material or workmanship, Victrola will replace the product at no charge. If the product model is no longer available and cannot be repaired effectively or replaced with an identical model, Victrola at its sole option may replace the unit with a current model of equal or greater value.

#### **Outside the U.S, Canada, and US Territories**

The Warranty on this product shall comply with applicable law when sold to a consumer outside of the United States, Canada, and US Territories. To obtain any applicable warranty service, please contact the dealer from which you purchased the product, or the distributor that supplied the product, with your original receipt.