

# VICTROLA™



MODEL: VC-525

## BLUETOOTH CLOCK RADIO

### Instruction Manual

PLEASE READ THIS INSTRUCTION MANUAL CAREFULLY  
BEFORE USE AND KEEP IT FOR FUTURE REFERENCE.

Important Safety Instructions .....	3
Product Overview .....	5
Setup / Basic Operation.....	6
Listening to the FM Radio .....	6
Listening to an External Audio Device (BT Mode).....	7
Setting the Time .....	7
Charging an External Device .....	7
Backlight Dimmer .....	7
Specifications .....	8
Troubleshooting Guide .....	9
FCC Statement .....	10
California PROP 65 Warning .....	10
Warranty.....	11

 <p>The lightning flash with arrowhead within an equilateral triangle is intended to alert the user to the presence of uninsulated "dangerous voltage" within the product's enclosure that may be of sufficient magnitude to constitute a risk of electric shock to persons.</p>	<p style="text-align: center;"><b>CAUTION</b></p> <p style="text-align: center;"><b>RISK OF ELECTRIC SHOCK DO NOT OPEN</b></p> <p><b>CAUTION: TO PREVENT RISK OF ELECTRIC SHOCK, DO NOT REMOVE COVER (OR BACK). NO USER-SERVICEABLE PARTS INSIDE. REFER SERVICING TO QUALIFIED SERVICE PERSONNEL.</b></p>	 <p>The exclamation point within an equilateral triangle is intended to alert the user to the presence of important operating and maintenance (servicing) instructions in the literature accompanying the appliance.</p>
--	---	--

**CAUTION:** To reduce the risk of fire or electric shock, do not expose this appliance to rain or moisture.

**WARNING:** To prevent electric shock, do not use this (polarized) plug with an extension cord, receptacle or other outlet unless the blades can be fully inserted to prevent blade exposure.

## Important Safety Instructions

1. Read these instructions – All the safety and operating instructions should be read before this product is operated.
2. Keep these instructions – The safety and operating instructions should be retained for future reference.
3. Heed all warnings – All warnings on the appliance and in the operating instructions should be adhered to.
4. Follow all instructions – All operating and use instructions should be followed.
5. Do not use this apparatus near water – The appliance should not be used near water or moisture – for example, in a wet basement or near a swimming pool, and the like.
6. Clean only with dry cloth.
7. Do not block any ventilation openings. Install in accordance with the manufacturer's instructions.
8. Do not install near any heat sources such as radiations, heat registers, stoves, or other apparatus (including amplifiers) that produce heat.
9. Do not defeat the safety purpose of the polarized or grounding plug. A polarized plug has two blades with one wider than the other. A grounding plug has two blades and a third grounding prong. The wide blade or the third prong is provided for your safety. If the provided plug does not fit into your outlet, consult an electrician for replacement of the obsolete outlet.
10. Protect the power cord from being walked on or pinched particularly at the plugs, convenience receptacles, and at the point where they exit from the apparatus.
11. Only use attachments/accessories specified by the manufacturer.
12. Use only with the cart, stand, tripod, bracket, or table specified by the manufacturer, or sold with the apparatus. When a cart or rack is used, use caution when moving the cart/apparatus combination to avoid injury from tip-over.
13. Unplug the apparatus during lightning storms or when unused for long periods of time.
14. Refer all servicing to qualified personnel. Servicing is required when the apparatus has been damaged in any way, such as power supply cord or plug is damaged, liquid has been spilled or objects have fallen into the apparatus has been exposed to rain or moisture, does not operate normally, or has been dropped.



15.





- This lightning flash with arrowhead symbol within an equilateral triangle is intended to alert the user to the presence of non-insulated “dangerous voltage” within the product’s enclosure that may be of sufficient magnitude to constitute a risk of electric shock.
- Warning: To reduce the risk of electric shock, do not remove cover (or back) as there are no user-serviceable parts inside. Refer servicing to qualified personnel.
- The exclamation point within and equilateral triangle is intended to alert the user to the presence of important operating and maintenance instructions in the literature accompanying the appliance.

16.



This equipment is a Class II or double insulated electrical appliance. It has been designed in such a way that it does not require a safety connection to electrical earth.

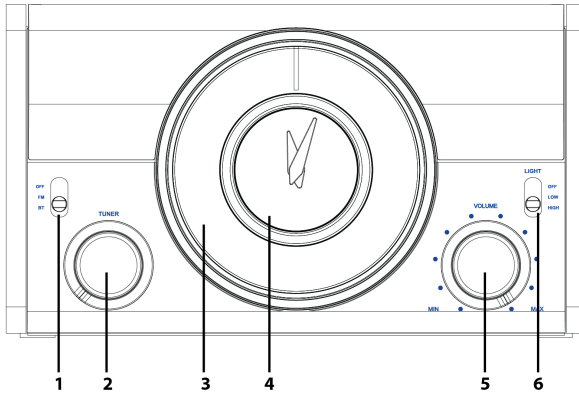
- 17. The main plug is used as disconnect device, the disconnect device shall remain readily operable.
- 18. **WARNING**  
To reduce the risk of fire or electric shock, do not expose this apparatus to rain or moisture. The apparatus shall not be exposed to dripping or splashing and that no objects filled with liquids, such as vases, shall not be placed on apparatus.
- 19. The use of the equipment in moderate climate.
- 20. The ventilation should not be impeded by covering the ventilation openings with items such as, newspapers, tablecloths, curtains, etc.
- 21. No naked flame sources, such as lighted candles, should be placed on the apparatus.
- 22. The symbol with  Indication AC voltage.
- 23. The symbol with  indicate DC voltage.
- 24. The batteries (battery pack or batteries installed) shall not be exposed to excessive heat such as sunshine, fire or the like.
- 25. Attention should be drawn to the environmental aspects of battery disposal.
- 26. **CAUTION:** These servicing instructions are for use by qualified service personnel only. To reduce the risk of electric shock, do not perform any servicing other than that contained in the operating instructions unless you are qualified to do so.

ACCESSORIES INCLUDED:

- INSTRUCTION MANUAL
- WARRANTY (BACK OF MANUAL)

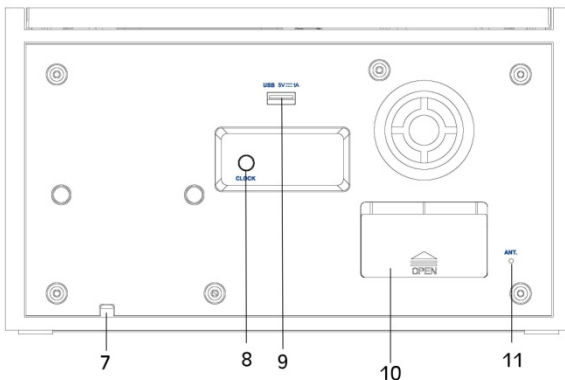
## Product Overview

### Front View



1. **OFF-FM-BT:** Slide the OFF-FM-BT switch to select function (FM or Bluetooth) or turn off the unit.
2. **TUNER KNOB:** In FM mode, turn knob to tune to desired station.
3. **TUNING SCALE**
4. **CLOCK DISPLAY**
5. **VOLUME KNOB:** Rotate to adjust the sound level.
6. **LIGHT (OFF-LOW-HIGH):** Slide to set the intensity of the display backlight.

### Rear View



7. **AC POWER CORD**  
Connect the AC plug into a wall outlet.  
*It is strongly recommended that this product be operated only from the type of power source indicated on the rating label.*
8. **CLOCK KNOB**  
Push in and rotate to set the time.  
Pull out to lock the time.
9. **USB PORT**  
Charge an external device, in BT or OFF mode only (*USB charging does not work in FM Mode*).
10. **BATTERY COMPARTMENT**
11. **FM WIRE ANTENNA**  
While tuned to a station in FM mode, extend the wire and reposition to adjust for best reception.

## Setup / Basic Operation

### **Battery Installation**

1. Remove the battery compartment cover at the back of the unit.
2. Insert 1x “AAA” battery (batteries not included).

*Note: Make sure that they are oriented so their polarity markings “+” and “-” match the markings in the battery compartment.*

3. Replace the battery compartment cover.

**Note:** *The battery is used for memory backup only.*

### **Battery Precautions**

*Be sure to insert the batteries with correct positive “+” and negative “-” orientation.*

*ALWAYS use batteries of the same type. Never mix different types of batteries together.*

*When using rechargeable batteries, refer to the precautions on their labels.*

*When the unit is not to be used for a long time (more than a month), remove the batteries to prevent them from leaking.*

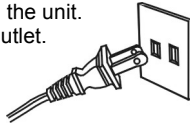
*Do not heat or disassemble batteries, and NEVER dispose of old batteries by throwing them in a fire.*

*Do not dispose device into standard garbage disposal sites. Dispose of device at available Battery Recycling Sites after fully discharging battery. Not doing so may violate disposal laws and regulations.*

*Please refer to local regulations for proper battery disposal.*

### **Setup**

1. Remove any packaging materials from the unit.
2. Connect the AC power cord to a wall outlet.



### **Note:**

*-It is strongly recommended that this product should be operated only from the type of power source indicated on the marking label.*

*-To prevent interference, avoid bundling audio signal cables together with the AC power cord.*

### **Basic Operation**

1. Slide the OFF-FM-BT switch to select function (FM or Bluetooth).
2. Rotate the VOLUME knob to adjust to the desired sound level.
3. Slide the OFF-FM-BT switch on OFF position to turn off the unit.

### **CONDENSATION WARNING:**

*When the unit is moved from a cold or warm place, or is used following a sudden temperature change, there is the danger that water vapor in the air may condense on the unit, preventing proper operation. In such cases, leave the unit for 1-2 hours after plugging it into an AC outlet to allow it to stabilize at the temperature of its surroundings.*

## Listening to the FM Radio

1. Slide the OFF-FM-BT switch to FM position.
2. Tune to desired station by using the TUNER knob.
3. Rotate the VOLUME knob to adjust your desired volume.

## Listening to an External Audio Device (BT Mode)

*In BT (Bluetooth) mode, this unit can play music from an external device with the Bluetooth feature.*

1. Slide the OFF-FM-BT switch to the BT position.  
An audible tone will sound indicating the unit is in pairing mode.
2. Go to the Bluetooth settings menu on your external device and ensure Bluetooth is enabled.
3. Then wait a moment for “**VC-525**” to appear on the devices list. Select “**VC-525**” to connect to the unit. *If a window asks for a password, fill in “0000” then press “OK” on your external device.*
4. Once the Bluetooth connection is successful, you will hear another audible tone.
5. Start playback as usual from your external device.
6. You can adjust the sound level by rotating VOLUME knob or adjusting the volume from your external device.

*NOTE: The effective distance between your external device and this unit is about 10 meters (33ft).*

## Setting the Time

1. Push in the CLOCK knob located on the back of the unit.
2. Then rotate the CLOCK knob clockwise or counter-clockwise to adjust the clock time, the hour pointer will vary with the adjustment of the minute pointer.
3. Once you set the clock to the correct time, you can pull out the clock button out to lock the clock.

*NOTE: Once the power cord is connected, the clock will work. The battery is used for memory backup only.*

## Charging an External Device

1. Connect the AC plug to the wall outlet.
2. Plug a USB cable (*not included*) into the USB port on the back of the unit and plug the other end of the USB cable into the charging port of the external device.
3. The unit will charge the external device automatically.

*NOTE: Charging function only works in the BT or OFF mode. Charging does not work in FM Mode.*

## Backlight Dimmer

You can set the intensity of the display backlight by sliding the LIGHT switch. Adjust the brightness from OFF to LOW to HIGH.

# Specifications

## GENERAL

Power Requirements.....	AC 120 V~ 60 Hz
Battery for Clock.....	1 X AAA Size
Power Consumption.....	20W
Dimensions (W x H x D).....	10.47 in x 5.91 in x 5 in (approx.) 266 x 150 x 127mm (approx.)
Weight.....	3.2 lbs (approx.) 1.45 kg. (approx.)

## AMPLIFIER

Output Power.....	5W
Frequency Response.....	60 to 20, 000 Hz

## SPEAKER SYSTEM

Type.....	1-way
Impedance.....	6 ohms
Input Power.....	Max. 10W

## FM RADIO

Range.....	88 to 108 MHz
------------	---------------

## BLUETOOTH

Bluetooth Version.....	Bluetooth V5.0
Bluetooth Profiles.....	A2DP, AVRCP
Bluetooth Frequency range.....	2.402GHz-2.480GHz
Operating Distance.....	33 feet / 10 meters

## USB

USB Port for Charging.....	5V  1A
----------------------------	---

For further assistance with your product, call Innovative Technology at  
TOLL FREE# 1-877-ITECH-97 (1-877-483-2497).

Please note: As a result of continual improvements, the design and specifications of this product are subject to change without notice.

Bluetooth is a registered trademark of Bluetooth SIG, Inc.

Other trademarks and trade names are those of their respective owners.

Made in China.



## Troubleshooting Guide

	Symptom	Possible Cause	Solution
<b>GENERAL</b>	• Unit will not power on.	• Unit is unplugged.	• Connect the unit to the AC power supply.
	• No sound output from speakers.	• The volume level is set too low. • The input selector does not match the playback source.	• Adjust the volume. • Select the correct input source.
	• Noise/Distortion in sound output.	• The unit is too close to a TV set or another interfering device.	• Turn off the TV or other appliance, and relocate the unit.
	• Unit fails to respond.	• It might result from external factors such as ESD (Electro-static discharge).	• Disconnect the power cord and external audio device. Re-plug the power cord after one minute.
<b>FM RADIO</b>	• Cannot listen to any station, or signal appears weak.	• The station is not tuned-in properly. • A TV set is being used nearby and is interfering with the radio reception.	• Properly tune-in the desired station. • Turn-off the interfering TV set.
	• The sound is distorted.	• The antenna is not oriented properly.	• Re-orient the antenna until reception improves.
<b>BLUETOOTH</b>	• No sound.	• The unit is not switched to Bluetooth mode. • Your device's and/or the unit's volume is not turn up. • Your device is too far from the unit or there're some obstacle between your device and the unit.	• Ensure the unit is switched to BT mode. • Turn up the volume on your portable device and/or the unit. • Move your Bluetooth device closer to unit. • Turn OFF your Bluetooth device and unit. Then power them both back ON.
	• Sound has a lot of static.	• Your device is too far away.	• Bring your device closer to the turntable.
	• Unable to pair with a Bluetooth device.	• Your device doesn't have Bluetooth connectivity. • The Bluetooth pairing is not successful.	• Confirm that your device is Bluetooth compatible. • Re-pair the unit and device again.

## FCC Statement

This device complies with Part 15 of the FCC Rules. Operation is subject to the following two conditions: (1) This device may not cause harmful interference, and (2) this device must accept any interference received, including interference that may cause undesired operation.

NOTE: This equipment has been tested and found to comply with the limits for a Class B digital device, pursuant to Part 15 of the FCC Rules. These limits are designed to provide reasonable protection against harmful interference in a residential installation. This equipment generates uses and can radiate radio frequency energy and, if not installed and used in accordance with the instructions, may cause harmful interference to radio communications. However, there is no guarantee that interference will not occur in a particular installation. If this equipment does cause harmful interference to radio or television reception, which can be determined by turning the equipment off and on, the user is encouraged to try to correct the interference by one of the following measures:

- Reorient or relocate the receiving antenna.
- Increase the separation between the equipment and receiver.
- Connect the equipment into an outlet on a circuit different from that to which the receiver is connected.
- Consult the dealer or an experienced radio/TV technician for help.

WARNING: Any changes or modifications not expressly approved by the party responsible for compliance could void the user's authority to operate this equipment.

The device must not be co-located or operating in conjunction with any other antenna or transmitter.

To maintain compliance with the FCC's RF exposure guidelines, place the product at least 20cm from nearby persons.

## California PROP 65 Warning



WARNING: This product can expose you to chemicals including lead which is known to the State of California to cause cancer. For more information go to [www.P65Warnings.ca.gov](http://www.P65Warnings.ca.gov).

## Warranty

Victrola is a registered trademark of Innovative Technology Electronics LLC.

Innovative Technology Electronics LLC.

Limited Warranty: 90 Days Labor, One Year Parts

Innovative Technology Electronics LLC. (IT) warrants the product to be free from "Defects" in materials under normal use for a period of "One Year" from the date of the original purchase. The Warranty is "Not" transferable. IT agrees, within the initial "90 Day" period, to repair or replace the product if it is determined to be defective at "No Charge". It is further agreed that IT will cover the cost to repair or replace damaged "Parts" only for a total period of "One Year" from the date of the original purchase. The warranty does not cover cosmetic damage, antennas, AC cords, cabinets, headbands, ear-pads, or damage due to line power surges, connection to improper voltage supply or settings, misuse, mishandling, accident, acts of God or attempted repair by an unauthorized service agent.

**To obtain service, the purchaser MUST present an original sales receipt / proof of purchase. Please contact us at [www.victrola.com](http://www.victrola.com) to request an RMA (Return Material Authorization) number to return products for service or replacement.** Returns without an RMA number on the package will be refused and returned to sender. Upon receipt of there turning item and our full inspection (IT) may issue a replacement to customer for the same item or one that has equivalent value and features. To return an item, supply full name, return address, phone number, item purchased, receipt of purchase and reason for return to obtain RMA number. All returns must be in the original packaging or reasonable substitute to prevent damage. Customer "Must" include full name, shipping address and telephone number inside of package. No return will be shipped back to a PO Box or APO address. Please include your check or money order in the amount of

- **USD \$5.00 for items \$10.00 to \$39.99 (Price Paid Per Unit)**
- **USD \$10.00 for items \$40.00 to \$99.99 (Price Paid Per Unit)**
- **USD \$16.00 for items \$100.00 and up (Price Paid Per Unit)**
- **Shipping fees are non-refundable**

to be payable to Innovative Technology Electronics LLC.(for handling and return shipping charges) (IT) will not be responsible for delays or unprocessed claims resulting from a purchaser's failure to provide any / all of the necessary information. Send all inquiries or RMA request via our website [www.victrola.com/pages/technical-support](http://www.victrola.com/pages/technical-support).

Innovative Technology Electronics LLC.

1 Channel Drive

Port Washington, NY 11050

Toll free: 1-877-483-2497

**Website for support: [www.victrola.com/pages/technical-support](http://www.victrola.com/pages/technical-support)**

There are no express warranties except as listed above.

REPAIR OR REPLACEMENT AS PROVIDED UNDER THIS WARRANTY IS THE EXCLUSIVE REMEDY OF THE CUSTOMER, (IT) SHALL NOT BE LIABLE FOR ANY INCIDENTAL OR CONSEQUENTIAL DAMAGES FOR BREACH OF ANY EXPRESS OR IMPLIED WARRANTY ON THIS PRODUCT EXCEPT TO THE EXTENT PROHIBITED BY APPLICABLE LAW. ANY IMPLIED WARRANTY OF MERCHANTABILITY OR FITNESS FOR A PARTICULAR PURPOSE ON THIS PRODUCT IS LIMITED IN DURATION TO THE DURATION OF THIS WARRANTY.

Some states do not allow the exclusion or limitation of incidental or consequential damages, or limitations on how long an implied warranty lasts, so the above exclusions or limitations may not apply to you. This warranty gives you specific legal rights and you may also have other rights, which vary from state to state.