

VICTROLA™

Bedside Clock Radio

Model: VC-250



Instruction Manual

PLEASE READ THIS INSTRUCTION MANUAL CAREFULLY BEFORE USE
AND KEEP IT FOR FUTURE REFERENCE.



The lightning flash with arrowhead within an equilateral triangle is intended to alert the user to the presence of uninsulated "dangerous voltage" within the product's enclosure that may be of sufficient magnitude to constitute a risk of electric shock to persons.

CAUTION

**RISK OF ELECTRIC SHOCK
DO NOT OPEN**

CAUTION: TO PREVENT RISK OF ELECTRIC SHOCK, DO NOT REMOVE COVER (OR BACK). NO USER-SERVICEABLE PARTS INSIDE. REFER SERVICING TO QUALIFIED SERVICE PERSONNEL.



The exclamation point within an equilateral triangle is intended to alert the user to the presence of important operating and maintenance (servicing) instructions in the literature accompanying the appliance.

CAUTION: To reduce the risk of fire or electric shock, do not expose this appliance to rain or moisture.

WARNING: To prevent electric shock, do not use this (polarized) plug with an extension cord, receptacle or other outlet unless the blades can be fully inserted to prevent blade exposure

Important Safety Instructions

1. Read these instructions – All the safety and operating instructions should be read before this product is operated.
2. Keep these instructions– The safety and operating instructions should be retained for future reference.
3. Heed all warnings – All warnings on the appliance and in the operating instructions should be adhered to.
4. Follow all instructions – All operating and use instructions should be followed.
5. Do not use this apparatus near water – The appliance should not be used near water or moisture – for example, in a wet basement or near a swimming pool, and the like.
6. Clean only with dry cloth.
7. Do not block any ventilation openings. Install in accordance with the manufacturer's instructions.
8. Do not install near any heat sources such as radiations, heat registers, stoves, or other apparatus (including amplifiers) that produce heat.
9. Do not defeat the safety purpose of the polarized or grounding plug. A polarized plug has two blades with one wider than the other. A grounding plug has two blades and a third grounding prong. The wide blade or the third prong is provided for your safety. If the provided plug does not fit into your outlet, consult an electrician for replacement of the obsolete outlet.
10. Protect the power cord from being walked on or pinched particularly at the plugs, convenience receptacles, and at the point where they exit from the apparatus.
11. Only use attachments/accessories specified by the manufacturer.
12. Use only with the cart, stand, tripod, bracket, or table specified by the manufacturer, or sold with the apparatus. When a cart or rack is used, use caution when moving the cart/apparatus combination to avoid injury from tip-over.
13. Unplug the apparatus during lightning storms or when unused for long periods of time.
14. Refer all servicing to qualified personnel. Servicing is required when the apparatus has been damaged in any way, such as power supply cord or plug is damaged, liquid has been spilled or objects have fallen into the apparatus has been exposed to rain or moisture, does not operate normally, or has been dropped.
- 15.



CAUTION

**RISK OF ELECTRIC SHOCK
DO NOT OPEN**



AVERTISSEMENT:

RISQUE DE CHOC ÉLECTRIQUE—NE PAS OUVRIR.

- This lightning flash with arrowhead symbol within an equilateral triangle is intended to alert the user to the presence of non-insulated "dangerous voltage" within the product's enclosure that may be of sufficient magnitude to constitute a risk of electric shock.
- Warning: To reduce the risk of electric shock, do not remove cover (or back) as there are no user-serviceable parts inside. Refer servicing to qualified personnel.
- The exclamation point within and equilateral triangle is intended to alert the user to the presence of important operating and maintenance instructions in the literature accompanying the appliance.

16.



This equipment is a Class II or double insulated electrical appliance. It has been designed in such a way that it does not require a safety connection to electrical earth.

17. The mains plug is used as disconnect device, the disconnect device shall remain readily operable.

18. **WARNING**

To reduce the risk of fire or electric shock, do not expose this apparatus to rain or moisture. The apparatus shall not be exposed to dripping or splashing and that no objects filled with liquids, such as vases, shall not be placed on apparatus.

19. The use of the equipment in moderate climate.

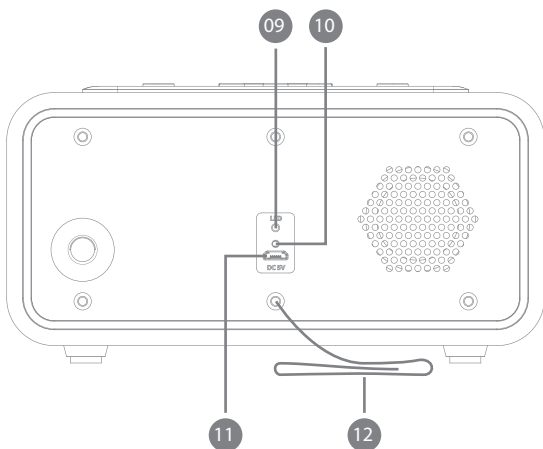
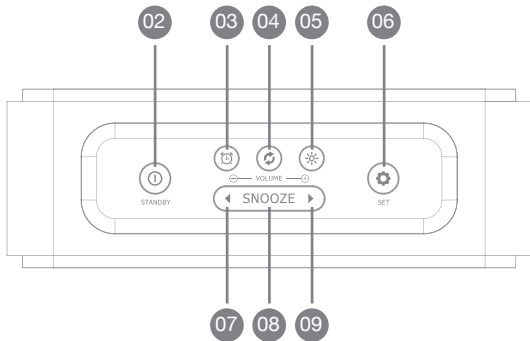
20. The ventilation should not be impeded by covering the ventilation openings with items, such as newspapers, table-cloths, curtains, etc.

21. No naked flame sources, such as lighted candles, should be placed on the apparatus.

22. The symbol with  Indication AC voltage.

23. **CAUTION**, These servicing instructions are for use by qualified service personnel only. To reduce the risk of electric shock do not perform any servicing other than that contained in the operating instructions unless you are qualified to do so.

Product Overview



1 LED Display

2 Power ON/OFF (Standby)

- Short press to power on
- Long press to power off
- When power on the unit, short press to switch Input mode

3 Alarm Button

Short press to turn ON/OFF all alarm clocks

4 Conversion Key

- In FM mode:
Press till display shows "VOL", press button ◀ / ▶ to adjust the volume.
- Press till display shows "FrE", press button ◀ / ▶ to adjust the FM frequency.

5 Backlight Level Adjustment

Press to select High/Medium/Low Brightness

6 Set Button

- In clock mode: Short press to set up time.
Long press to set the clock to 24 hrs / 12 hrs.
- In FM mode:
Short press to switch to saved FM radio stations.
Long press to choose the position for saved stations.
- In alarm mode: Short press to set up the alarm clocks.

7 Previous

In FM mode: Short Press the Conversion Key to change to either "FrE" or "VOL"

- In "FrE": Short press to skip to the previous frequency.
Press and hold to find the nearest FM Station that is in reception.
- In "VOL": Short press to decrease the volume by one.
Press and hold to continuously lower the volume.

8 Snooze

Short press to activate snooze function, alarm will ring again in 5 minutes.

9 Next

- In FM mode: Short Press the Conversion Key to change to either "FrE" or "VOL"
- In "FrE": Short press to skip to the next frequency.
Press and hold to find the nearest FM Station that is in reception.
- In "VOL": Short press to increase the volume by one.
Press and hold to continuously increase the volume.

9 Power Indicator Light

While the unit is connected to the adaptor, the light will stay lit red.

10 Reset Hole

11 Micro USB Power Port

12 Antenna

Operation

To Power on the unit:

1. Connect the Micro USB to the Wall Adapter (included), then connect the Micro USB to the Micro USB Power Port located on back of the unit.
2. Connect the Wall Adapter into the nearest outlet. The Power Indicator will light red to indicate it is connected properly.
3. Press the Standby button to power on the unit. The LED Display will show "LoAd" and then "00:00".
4. Press and hold the Standby button to power off.

Clock Set Up

1. Press Standby to power on, display shows "LoAd".
2. Long press the SET button to choose between 24-hour /12-hour system.
3. Press the SET button, the hour digits will flash, press Previous/Next buttons to adjust the hour time. To confirm the hour value press the SET button again.
3. After hour value is confirmed, the minute digits will flash. Repeat the same steps to set the minute value.
4. Press SET again to return to Standby mode or the unit will automatically return to standby mode in 10 seconds.

Alarm Clock

SETTING ALARMS

1. Press Standby until the display shows "ALA1"
2. Press the Previous/Next buttons to select between the 4 different alarms which display as "AL1", "AL2", "AL3", and "AL4".
3. After selecting which Alarm, press the SET button. Then press the previous/next buttons to chose the alarm mode to be one of the following options:
 - "OFF": The alarm will be off.
 - "bEEP": The alarm sound will be a beeping tone.
 - "rad": The alarm sound will be the previous FM Station selected.
3. To set the alarm time: the hour digits will flash, press Previous/Next buttons to adjust the hour time. To confirm the hour value press the SET button again. After hour value is confirmed, the minute digits will flash. Repeat the same steps to set the minute value.
4. After finishing the above steps, press SET once more to confirm.
5. Press the Standby button twice to return to Standby mode.
6. In Standby mode, press the Alarm button to turn ON/OFF all alarms.
Note: The icon alarms will dissappear when alarms are turned off.

SNOOZE OR STOP ALARMS

1. When the alarm sounds, press any button (except for Snooze) to stop the alarm.
2. When you press Snooze, the display shows snooze icon and alarm icon flashes. After 5 mintues, the alarm will sound again.

FM Radio

1. Press Standby twice to enter FM mode, display will shows radio frequency and the FM icon will light (this may take a few seconds after pressing the button).
Note: After a few seconds, the display will automatically show the time if no buttons are pressed.
2. Press the Conversion Key and the display will show "FrE" to manually tune the radio.
 - Press the Previous/Next button to manually tune at a frequency of 0.1MHz to find a station.
 - Long press the Previous/Next button to scan for the nearest FM stations in reception.

Note: For best reception, fully extend the antenna located on the back of the unit.

PROGRAM PRESET STATIONS

The unit allows you to save up to 20 preset FM radio stations.

1. In FM mode, first select the desired radio station, then long press the SET button to save the current radio station selected; " P01 " with flash on the LED Display then press Previous/Next buttons to choose the saved position, then long press SET button to confirm and exit. Repeat process for all 20 presets.
2. Press the SET button to select from the saved stations from P01 to P20.

ADJUSTING VOLUME

1. Press Conversion Key button to enter volume state, display will show "VOL".
2. Press Previous/Next to Increase/Decrease the volumel level.

RADIO SLEEP TIMER

1. Long press the Brightness button to set sleep function: OFF / S 15 / S 30 / S 45 / S 60 / S 90 / S 120,
2. The "SLEEP" icon on the LED Display will be lit, then the radio will automatically be powered off in 15/30/45/60/90/120 minutes. Choose OFF to turn off the sleep function.

Specifications

Output Power: RMS 1.5W (THD+N=10%, f0=1KHZ)
 S/N Ratio: ≥ 70dBA
 Distortion (%):..... ≤1%
 Frequency Response: 500Hz-15KHz
 Input Mode: FM (20 presets)
 Loudspeaker:..... Φ32mm, 8Ω , 2W
 Built-in Memory Battery (Non-replaceable): CR2032 3.0V/220mAh
 Charging Source: DC 5V = 600mA
 Working Temperature: 0°C ~ +50 °C
 Unit Size: 170 (6.7") x 58 (2.3") x 88mm (3.5")
 Net Weight:..... 0.2 kg (0.44 lbs)
 Included: Power Adapter, Micro USB Cord,
 Instruction Manual, Clock Radio

Troubleshooting Guide

	Symptom	Possible Cause	Solution
GENERAL	• Unit will not power on.	• Unit is unplugged.	• Connect the unit to the external AC power supply.
	• No sound output from speakers.	• The volume level is set too low. • The input selector does not match the playback source.	• Adjust the volume. • Select the correct input source.
	• Noise/Distortion in sound output.	• The unit is too close to a TV set or another interfering device.	• Turn off the TV or other appliance, and relocate the unit.
	• Unit fails to respond.	• It might result from external factors such as ESD (Electro-static discharge).	• Disconnect the external power supply and external audio device. Re-plug the external power supply after one minute.
FM RADIO	• Cannot listen to any station, or signal appears weak.	• The station is not tuned-in properly. • A TV set is being used nearby and is interfering with the radio reception.	• Properly tune-in the desired station. • Turn-off the interfering TV set.
	• The sound is distorted.	• The antenna is not oriented properly.	• Re-orient the antenna until reception improves.

For further assistance with your product, call Innovative Technology at TOLL FREE# 1-877-ITECH-97 (1-877-483-2497).

Please note: As a result of continual improvements, the design and specifications of this product are subject to change without notice.

CAN ICES-3 (B)/NMB-3(B)

Made in China.

FCC Statement

This device complies with Part 15 of the FCC Rules. Operation is subject to the following two conditions: (1) This device may not cause harmful interference, and (2) this device must accept any interference received, including interference that may cause undesired operation.

NOTE: This equipment has been tested and found to comply with the limits for a Class B digital device, pursuant to Part 15 of the FCC Rules. These limits are designed to provide reasonable protection against harmful interference in a residential installation. This equipment generates uses and can radiate radio frequency energy and, if not installed and used in accordance with the instructions, may cause harmful interference to radio communications. However, there is no guarantee that interference will not occur in a particular installation. If this equipment does cause harmful interference to radio or television reception, which can be determined by turning the equipment off and on, the user is encouraged to try to correct the interference by one of the following measures:

- Reorient or relocate the receiving antenna.
- Increase the separation between the equipment and receiver.
- Connect the equipment into an outlet on a circuit different from that to which the receiver is connected.
- Consult the dealer or an experienced radio/TV technician for help.

WARNING: Any changes or modifications not expressly approved by the party responsible for compliance could void the user's authority to operate this equipment.

The device must not be co-located or operating in conjunction with any other antenna or transmitter.

This device complies with FCC and IC radiation exposure limits set forth for an uncontrolled environment.

The device should be installed and operated with a minimum distance of 20cm between the radiator and your body.

California Prop 65 Warning

WARNING

This product can expose you to chemicals including lead, which is known to the State of California to cause cancer. For more information go to www.P65Warnings.ca.gov.

Warranty

Victrola is a registered trademark of Innovative Technology Electronics LLC.

Innovative Technology Electronics LLC.

Limited Warranty: 90 Days Labor, One Year Parts

Innovative Technology Electronics LLC. (IT) warrants the product to be free from "Defects" in materials under normal use for a period of "One Year" from the date of the original purchase. The Warranty is "Not" transferable. IT agrees, within the initial "90 Day" period, to repair or replace the product if it is determined to be defective at "No Charge". It is further agreed that IT will cover the cost to repair or replace damaged "Parts" only for a total period of "One Year" from the date of the original purchase. The warranty does not cover cosmetic damage, antennas, AC cords, cabinets, headbands, ear-pads, or damage due to line power surges, connection to improper voltage supply or settings, misuse, mishandling, accident, acts of God or attempted repair by an unauthorized service agent.

To obtain service, the purchaser MUST present an original sales receipt / proof of purchase. Please contact us at www.victrola.com to request an RMA (Return Material Authorization) number to return products for service or replacement. Returns without an RMA number on the package will be refused and returned to sender. Upon receipt of the returning item and our full inspection (IT) may issue a replacement to customer for the same item or of one that has equivalent value and features. To return an item, supply full name, return address, phone number, item purchased, receipt of purchase and reason for return to obtain RMA number.

All returns must be in the original packaging or reasonable substitute to prevent damage. Customer "Must" include full name, shipping address and telephone number inside of package. No return will be shipped back to a PO Box or APO address.

Please include your check or money order in the amount of:

- **USD \$5.00 for items \$10.00 to \$39.99. (Price Paid Per Unit)**
- **USD \$10.00 for items \$40.00 to \$99.99. (Price Paid Per Unit)**
- **USD \$16.00 for items \$100.00 and up. (Price Paid Per Unit)**
- **Shipping fees are non-refundable.**

to be payable to Innovative Technology Electronics LLC. (for handling and return shipping charges) (IT) will not be responsible for delays or unprocessed claims resulting from a purchaser's failure to provide any / all of the necessary information. Send all inquiries or RMA request via our website www.victrola.com/pages/technical-support.

Innovative Technology Electronics LLC.

1 Channel Drive

Port Washington, NY 11050

Toll free: 1-877-483-2497

Website for support: www.victrola.com/pages/technical-support

There are no express warranties except as listed above.

REPAIR OR REPLACEMENT AS PROVIDED UNDER THIS WARRANTY IS THE EXCLUSIVE REMEDY OF THE CUSTOMER, (IT) SHALL NOT BE LIABLE FOR ANY INCIDENTAL OR CONSEQUENTIAL DAMAGES FOR BREACH OF ANY EXPRESS OR IMPLIED WARRANTY ON THIS PRODUCT EXCEPT TO THE EXTENT PROHIBITED BY APPLICABLE LAW. ANY IMPLIED WARRANTY OF MERCHANTABILITY OR FITNESS FOR A PARTICULAR PURPOSE ON THIS PRODUCT IS LIMITED IN DURATION TO THE DURATION OF THIS WARRANTY.

Some states do not allow the exclusion or limitation of incidental or consequential damages, or limitations on how long an implied warranty lasts, so the above exclusions or limitations may not apply to you. This warranty gives you specific legal rights and you may also have other rights, which vary from state to state.