

# VICTROLA™



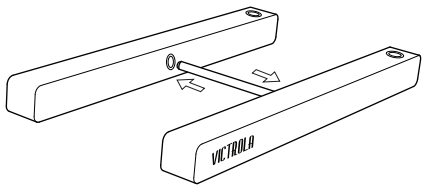
## THE STAND

**MODEL: VA-65  
INSTRUCTION MANUAL**



PLEASE READ THIS INSTRUCTION MANUAL CAREFULLY  
BEFORE USE AND KEEP IT FOR FUTURE REFERENCE.

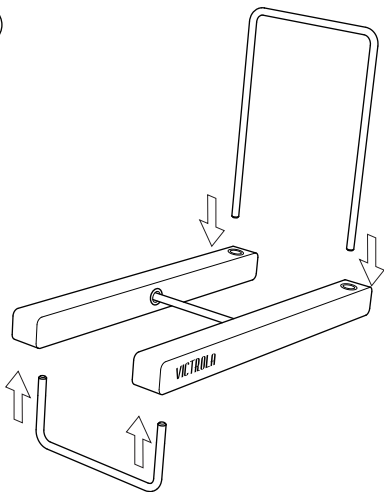
1



**PLACE THE TWO WOODEN RAILS PARALLEL TO EACH OTHER. THEN USING THE SMALL METAL STRAIGHT BAR, ATTACH EACH RAIL AS SHOWN.**

**PUSH FIRMLY UNTIL THE METAL BAR IS SECURE.**

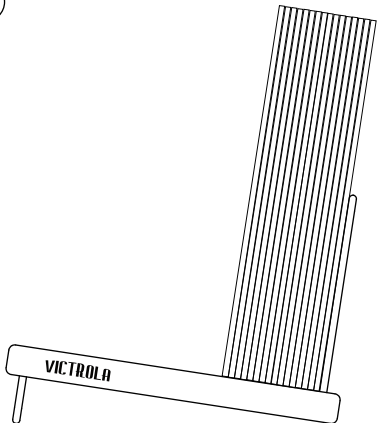
2



**INSERT THE TALL BAR INTO THE TOP HOLES IN THE BACK OF THE STAND. INSERT THE SHORT BAR INTO BOTTOM HOLES IN THE FRONT OF THE STAND.**

**PUSH FIRMLY UNTIL BOTH OF THE METAL BARS ARE SECURE.**

3



**NOW YOUR STAND IS READY TO DISPLAY YOUR FAVORITE VINYL RECORDS!**

**SCAN THE QR CODE ON THE COVER FOR CLEANING TIPS AND ASSEMBLY GUIDES.**

*IT IS RECOMMENDED THAT A MAX OF 25 VINYL RECORDS SHOULD BE DISPLAYED ON THE STAND.*

## SPECIFICATIONS

Product Size:.....	5.71" W x 7.56" H x 11.02" L 145mm W x 192mm H x 280mm L
Weight:.....	15 oz (424 g)
Max Records per Stand:.....	25
Included in the Box:.....	3x Metal Bars, 2x Wooden Rails

## WARNING

Please read and follow all of the instructions & safety precautions detailed below prior to using this product. Failure to do so may result in serious personal injury and / or property damage.

### Safety Precautions:

- Keep out of reach of children. This item is not a toy.
- Do not expose this product to heat sources (including open flame/direct sunlight).
- Do not modify the product.
- Avoid dropping this product.
- Do not expose this product to water or liquids.

## CALIFORNIA PROP 65 WARNING



**WARNING:** This product can expose you to chemicals including Bisphenol A (BPA), which is known to the State of California to cause birth defects or other reproductive harm. For more information go to [www.P65Warnings.ca.gov](http://www.P65Warnings.ca.gov).

## WARRANTY

Victrola is a registered trademark of Innovative Technology Electronics, LLC.

**United States** - Victrola (Innovative Technology Electronics, LLC) warrants to the original retail purchaser that this product will be free from defective materials and workmanship for one (1) year from the date of purchase, subject to the limitations below. This warranty period is not extended if we replace the product. To obtain a replacement under the terms of this warranty, you must contact the dealer from which it was purchased with your original receipt. If assistance from the dealer from which it was purchased is impossible, you may contact our customer service for warranty assistance at [victrola.com/contact](http://victrola.com/contact).

Except as limited below, if the product proves defective in either material or workmanship within one (1) year from the date of purchase, Victrola will replace the product at no charge. If the product model is no longer available and cannot be replaced with an identical model, Victrola will issue a merchandise credit for the purchase price to be redeemed at [victrola.com](http://victrola.com).

**Limitations:** • This limited warranty does not cover failure of the product arising, in whole or in part, from improper installation, storage, transportation, misuse, abuse, accident, neglect, mishandling, unauthorized repair, modification, or wear from ordinary use or environmental deterioration. • This limited warranty does not cover cosmetic damage, including paint damage, or consequential damage to other components or premises which may result for any reason from the failure of the product. • This limited warranty is null and void for products not used in accordance with Victrola's instructions. • This limited warranty terminates if the original retail purchaser sells or otherwise transfers this product. • This limited warranty is null and void for defects or damage caused by installation or repair performed by any person or entity other than a Victrola authorized installer or dealer.

This warranty gives you specific legal rights, and you may also have other rights which vary from state to state, jurisdiction to jurisdiction or country to country. All express and implied warranties for the product, including but not limited to any implied warranties of merchantability and fitness for a particular purpose, are limited in time to the term of this warranty. Some states, jurisdictions or countries do not allow the exclusion of certain implied warranties or conditions, or limitations on how long an implied warranty or condition lasts, so this limitation may not apply to you. Victrola's responsibility for malfunctions and defects in hardware is limited to replacement or repair as set forth in this warranty statement. Victrola does not accept liability for special, punitive, consequential or incidental damages or losses, whether direct or indirect, including without limitation, any liability for third party claims against you for damages or losses or for products not being available for use. The maximum liability for which Victrola may be responsible will be no more than the amount you paid for the product that is the subject of the claim. Some states, jurisdictions or countries do not allow the exclusion or limitation of special, indirect, incidental or consequential damages, so the above limitation or exclusion may not apply to you.

**Canada and US Territories** – The Warranty on this product shall comply with applicable law when sold to a consumer in Canada or a US Territory. To obtain any applicable warranty service, please contact the dealer from which you purchased the product, or the distributor that supplied the product, with your original receipt. If assistance from the dealer from which it was purchased is impossible, you may contact our customer service for warranty assistance at [victrola.com/contact](http://victrola.com/contact).

If this product proves defective in either material or workmanship, Victrola will replace the product at no charge. If the product model is no longer available and cannot be repaired effectively or replaced with an identical model, Victrola at its sole option may replace the unit with a current model of equal or greater value.

**Outside the U.S, Canada, and US Territories** – The Warranty on this product shall comply with applicable law when sold to a consumer outside of the United States, Canada, and US Territories. To obtain any applicable warranty service, please contact the dealer from which you purchased the product, or the distributor that supplied the product, with your original receipt.