

VICTROLA™



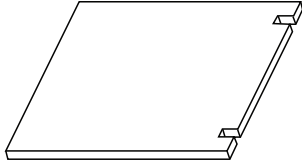
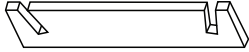
THE BRIDGE

**MODEL: VA-33
INSTRUCTION MANUAL**

PLEASE READ THIS INSTRUCTION MANUAL CAREFULLY BEFORE USE
AND KEEP IT FOR FUTURE REFERENCE.

ASSEMBLY INSTRUCTIONS

PARTS LIST

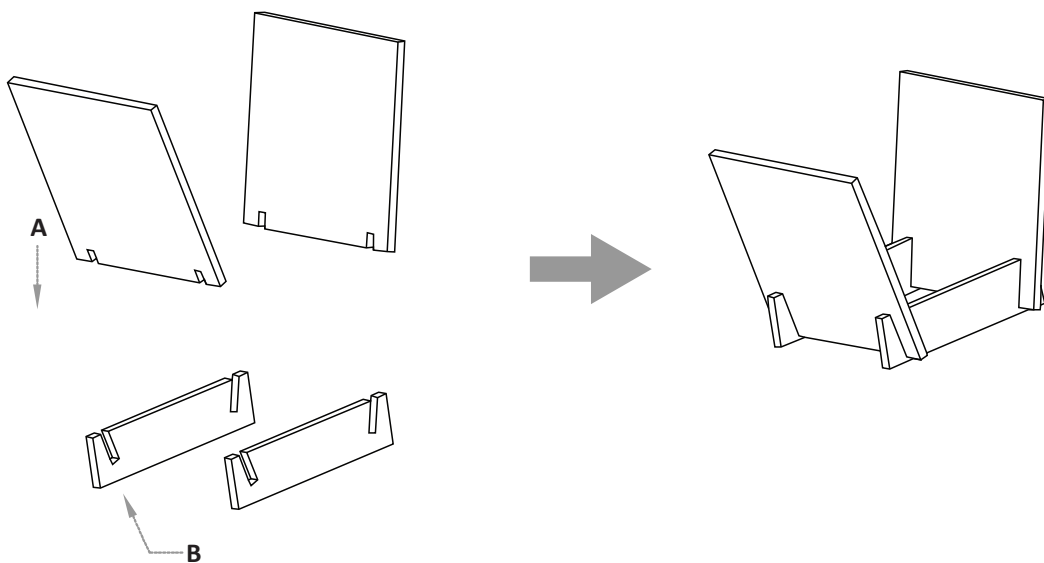
A	Side Panels: 2 (PCS)	
B	Bottom Board: 2 (PCS)	

ASSEMBLING THE RECORD HOLDER

- Place the 2 Bottom Boards (A) on a flat, clean surface.
- Place a Side Panel (A) into a slot of 1 Bottom Panel (B), press down gently to secure.
- Repeat to assemble the remaining Side Panel and Base Panel.

CAUTION:

- You **MUST** remove all records **BEFORE** moving the record holder.
- Only lift the record holder from the 2 Bottom Boards simultaneously. **DO NOT** lift from Side Panels, it will disassemble the record holder.



ASSEMBLY INSTRUCTIONS

PLEASE NOTE

- Read, heed and follow all instructions in the manual before operating.
- Keep this manual in a safe place for future reference.
- Choose unit location carefully. Avoid placing it in direct sunlight or close to a heat source. Also avoid locations subject to vibrations and excessive dust, cold or moisture.
- Do not use liquid cleaners or aerosol cleaners. Use a damp cloth for cleaning.
- This product should be moved with care to avoid damage or injury. Remove records before moving record holder.
- Do not sit or stand on unit to avoid injury - *only place records in record holder.*

As a result of continual improvements, the design and specifications of this product are subject to change without notice. Records and record sleeves are not included.

SPECIFICATIONS

Record Storage Capacity: 35 - 50 Vinyl Records

Weight: 3.42 lbs (1.55kgs) approx.

Product Size: 11" (280mm) H x 14.2" (360mm) W x 11" (280mm) D

Made in China.

WARNING:

This product can expose you to chemicals including Di(2-ethylhexyl)phthalate (DEHP), which is known to the State of California to cause cancer and birth defects or other reproductive harm.

For more information go to www.P65Warnings.ca.gov.

Victrola is a registered trademark of Innovative Technology Electronics, LLC.

United States

Victrola (Innovative Technology Electronics, LLC) warrants to the original retail purchaser that this product will be free from defective materials and workmanship for one (1) year from the date of purchase, subject to the limitations below. This warranty period is not extended if we replace the product.

To obtain a replacement under the terms of this warranty, you must contact the dealer from which it was purchased with your original receipt. If assistance from the dealer from which it was purchased is impossible, you may contact our customer service for warranty assistance at victrola.com/contact.

Except as limited below, if the product proves defective in either material or workmanship within one (1) year from the date of purchase, Victrola will replace the product at no charge. If the product model is no longer available and cannot be replaced with an identical model, Victrola will issue a merchandise credit for the purchase price to be redeemed at victrola.com.

Limitations:

- This limited warranty does not cover failure of the product arising, in whole or in part, from improper installation, storage, transportation, misuse, abuse, accident, neglect, mishandling, unauthorized repair, modification, or wear from ordinary use or environmental deterioration.
- This limited warranty does not cover cosmetic damage, including paint damage, or consequential damage to other components or premises which may result for any reason from the failure of the product.
- This limited warranty is null and void for products not used in accordance with Victrola's instructions.
- This limited warranty terminates if the original retail purchaser sells or otherwise transfers this product.
- This limited warranty is null and void for defects or damage caused by installation or repair performed by any person or entity other than a Victrola authorized installer or dealer.

This warranty gives you specific legal rights, and you may also have other rights which vary from state to state, jurisdiction to jurisdiction or country to country. All express and implied warranties for the product, including but not limited to any implied warranties of merchantability and fitness for a particular purpose, are limited in time to the term of this warranty. Some states, jurisdictions or countries do not allow the exclusion of certain implied warranties or conditions, or limitations on how long an implied warranty or condition lasts, so this limitation may not apply to you. Victrola's responsibility for malfunctions and defects in hardware is limited to replacement or repair as set forth in this warranty statement. Victrola does not accept liability for special, punitive, consequential or incidental damages or losses, whether direct or indirect, including without limitation, any liability for third party claims against you for damages or losses or for products not being available for use. The maximum liability for which Victrola may be responsible will be no more than the amount you paid for the product that is the subject of the claim. Some states, jurisdictions or countries do not allow the exclusion or limitation of special, indirect, incidental or consequential damages, so the above limitation or exclusion may not apply to you.

Canada and US Territories

The Warranty on this product shall comply with applicable law when sold to a consumer in Canada or a US Territory. To obtain any applicable warranty service, please contact the dealer from which you purchased the product, or the distributor that supplied the product, with your original receipt. If assistance from the dealer from which it was purchased is impossible, you may contact our customer service for warranty assistance at victrola.com/contact.

If this product proves defective in either material or workmanship, Victrola will replace the product at no charge. If the product model is no longer available and cannot be repaired effectively or replaced with an identical model, Victrola at its sole option may replace the unit with a current model of equal or greater value.

Outside the U.S, Canada, and US Territories

The Warranty on this product shall comply with applicable law when sold to a consumer outside of the United States, Canada, and US Territories. To obtain any applicable warranty service, please contact the dealer from which you purchased the product, or the distributor that supplied the product, with your original receipt.