



# LED Rock Speaker Single

Model: ITSBO-L513



## Instruction Manual



Please read this instruction manual carefully before use and keep for future reference.

# CONTENTS

Safety Instructions.....	1
Safety Instructions .....	2
Product Specifications.....	3
Buttons and Remote Control.....	3
Buttons and Remote Control .....	4
Operation .....	5
Battery Charging.....	5
Important Information.....	6
Warranty.....	7

# SAFETY INSTRUCTIONS



The lightning flash with arrowhead within an equilateral triangle is intended to alert the user to the presence of uninsulated "dangerous voltage" within the product's enclosure that may be of sufficient magnitude to constitute a risk of electric shock.

## CAUTION

RISK OF ELECTRIC SHOCK  
DO NOT OPEN

**CAUTION: TO PREVENT RISK OF ELECTRIC SHOCK,**  
DO NOT REMOVE COVER (OR BACK).  
NO USER-SERVICEABLE PARTS INSIDE. REFER  
SERVICING TO QUALIFIED SERVICE PROFESSIONAL.



The exclamation point within an equilateral triangle is intended to alert the user to the presence of important operating and maintenance (servicing) instructions in the literature accompanying the appliance.

**Before using the unit, be sure to read all operating instructions carefully, please note that these are general precautions and may not pertain to your unit. For example, this unit may not have the capability to be connected to an outdoor antenna.**

1. Read these instructions - All safety and operating instructions should be read before the product is operated.
2. Keep these instructions - The safety and operating instructions should be retained for future reference.
3. Heed all warnings - All warnings on the product and in the operating instruction manual should be adhered to.
4. Follow these instructions - All operating and use instructions should be followed.
5. Do not use this apparatus near water. Do not use the product near water and moisture, for example: near a bathtub, washbowl, kitchen sink or laundry tub; in a wet basement; or near a swimming pool.
6. The product must not be exposed to dripping or splashing, and no object filled with liquid should be placed on top of the product.
7. Clean only with slightly moist, lint-free cloth. Unplug this product from the wall outlet before cleaning. Do not use liquid cleaners or aerosol cleaners.
8. Do not block any ventilation openings. Install in accordance with the manufacturer's instructions. Slots and openings in the cabinet and in the back or bottom are provided for ventilation, to ensure reliable operation of the product and to protect it from overheating. These openings must not be blocked or covered. The openings should never be blocked by placing the product on a bed, sofa, rug or other similar surface. This product should never be placed near or over a radiator or heat source. This product should not be placed in a built-in installation such as a bookcase or rack unless proper ventilation is provided or the manufacturer's instructions have been adhered to.
9. Do not install near any heat sources such as radiators, heat registers, stoves, or other apparatus (including amplifiers) that produce heat.
10. Do not defeat the safety purpose of the polarized or grounding-type plug. A polarized plug has two blades and a third grounding prong. The wide blade or the third prong are provided for your safety. If the provided plug does not fit into your outlet, consult an electrician for replacement of the obsolete outlet.
11. Protect the power cord from being walked on or pinched particularly at plugs, convenience receptacles, and the point where they exit from the apparatus.
12. Only use attachments/accessories specified by the manufacturer.
13. Use only with the cart, stand, tripod, bracket or table specified by the manufacturer, or sold with the apparatus. When a cart is used, use caution when moving the cart/apparatus combination to avoid injury from tip-over.
14. Unplug this apparatus during lightning storms or when unused for long periods of time.
15. Refer all servicing to qualified service personnel. Servicing is required when the apparatus has been damaged in any way, such as power-supply cord or plug is damaged, liquid has been spilled or objects have fallen into the apparatus, the apparatus has been exposed to rain or moisture does not operate normally, or has been dropped.
16. Power source - The product should be operated only from the type of power source indicated on the marking label. If you are not sure of the type of power supply to your home, consult your appliance dealer or local power company. For products intended to operate from battery power, or other sources, refer to the operating instructions.
17. Power lines - An outside antenna system should not be located in the vicinity of overhead power lines or other electric light or power circuits, or where it can fall into such power lines or circuits. When installing an outside antenna system, extreme care should be taken to keep from touching such power lines or circuits as contact with them might be fatal.
18. Overloading - Do not overload wall outlets and extension cords as this can result in the risk of fire or electric shock.
19. Object and liquid entry - Never push objects of any kind into the product as they may touch dangerous voltage points or short out parts that could result in fire or electric shock. Never spill or spray any type of liquid on the product.



**Note: Specified maximum ambient temperature is 35°C / 95°F**

# SAFETY INSTRUCTIONS

20. Service - Do not attempt to service this product yourself as opening or removing covers may expose you to dangerous voltage or other hazards. Refer all servicing to qualified servicing personnel.
21. Replacement parts - When replacement parts are required, be sure the service technician uses replacement parts specified by the manufacturer or those that have the same characteristics as the original part. Unauthorized substitutions may result in fire or electric shock or other hazards.
22. Safety check - Upon completion of any service or repairs to this product ask the service technician to perform safety checks to determine that the product is in proper operating condition.
23. Damage requiring service - Unplug the product from the wall outlet and refer servicing to qualified service personnel under the following conditions:
  - A: when the power-supply cord or plug is damaged.
  - B: if liquid has been spilled or objects have fallen into the product.
  - C: if the product has been exposed to rain or water.
  - D: if the product does not operate normally by following the operating instructions. Adjust only those controls that are covered by the operating instructions as improper adjustment may result in damage and will often require extensive work by a qualified technician to restore the product to its normal operation.
  - E: if the product has been dropped or the cabinet damaged in any way.
  - F: when the product exhibits a distinct change in performance -this indicates a need for service.
  - G: Warning: batteries (battery pack or batteries installed) shall not be exposed to excessive heat such as sunshine, fire or a similar source.

## CAUTION

Danger of explosion if battery is incorrectly replaced.  
Replace only with the same or equivalent type.

24. The marking information is located at the bottom of the apparatus.

### Warning

Please refer the information on exterior bottom enclosure for electrical and safety information before installing or operating the apparatus.

### Caution:

1. Use of control and adjustments or performance of procedures other than those specified here may result in hazardous radiation exposure.
2. If this product develops trouble, contact qualified service centers, and do not use the product in a defective state.

### Usage

1. Before use, choose unit installation location carefully. Avoid placing in direct sunlight or close to a source of heat. Also avoid locations subject to vibrations and excessive dust, cold or moisture. Keep away from sources that hum, such as transformers or motors.
2. Do not open the cabinet as this might result in damage to the circuitry or electrical shock. If a foreign object should get into the set, contact your dealer.
3. When removing the power plug from the wall outlet, always pull directly on the plug, never pull the cord.
4. Do not attempt to clean the unit with chemical solvents as this might damage the finish. Use a clean, dry cloth.
5. In order to shut off the power to this product completely, unplug the power cord from the wall outlet. Be sure to unplug the unit if you do not intend to use it for an extended period of time, such as while on vacation.
6. Keep this manual in a safe place for future reference.

# PRODUCT SPECIFICATIONS

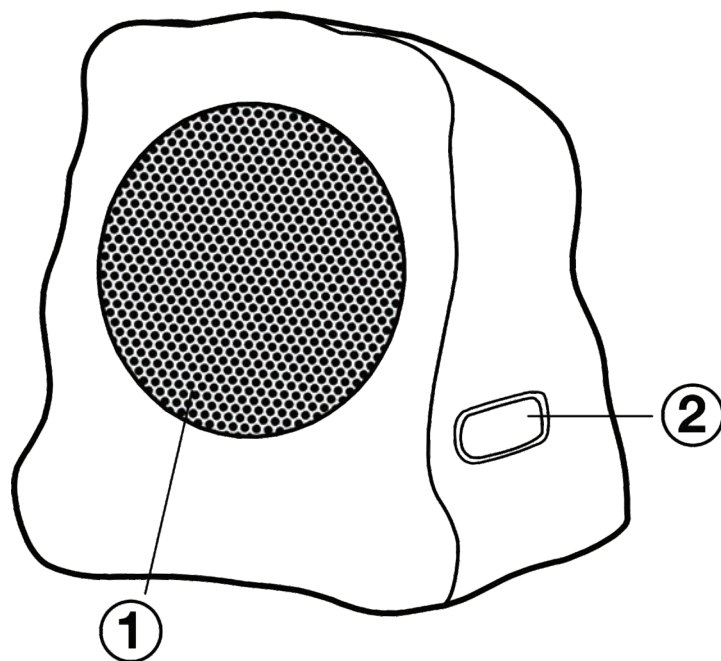
Bluetooth Range	Up to 33 feet (10 meters)
Battery Capacity	4,400mAh Lithium Ion (16.28Wh)
Play Time	26 Hours (at 50% Volume) / 20 Hours (at Max Volume) Depending on use of Light Modes
Charging Input	DC 5V, 1A via Power Adaptor
Charging Time	~7 Hours via Power Cord
Max Power Consumption	5 Watts
Power Output	1 x 5 Watts
Product Size:	L - 300mm(11.8 in) x W - 270mm (10.62 in) x H - 270mm (10.62 in)
Included:	LED Rock Speaker Single (1x), User Manual, Micro USB to USB Charging Cable & USB Wall Adaptor

NOTE: As a result of continual improvements, the design and specifications of this product are subject to change without notice.

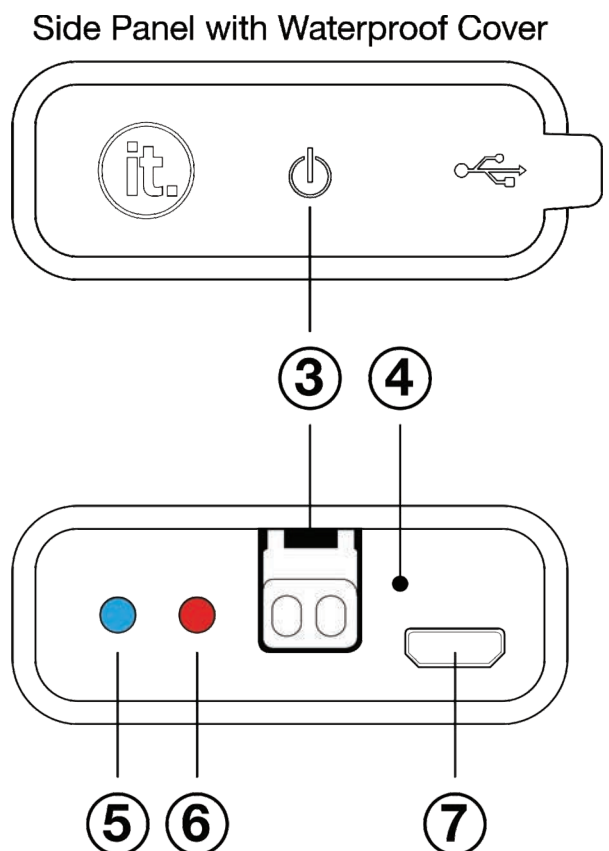
Made in China.

Bluetooth is a registered trademark of Bluetooth SIG, Inc.  
Other trademarks and trade names are those of their respective owners.

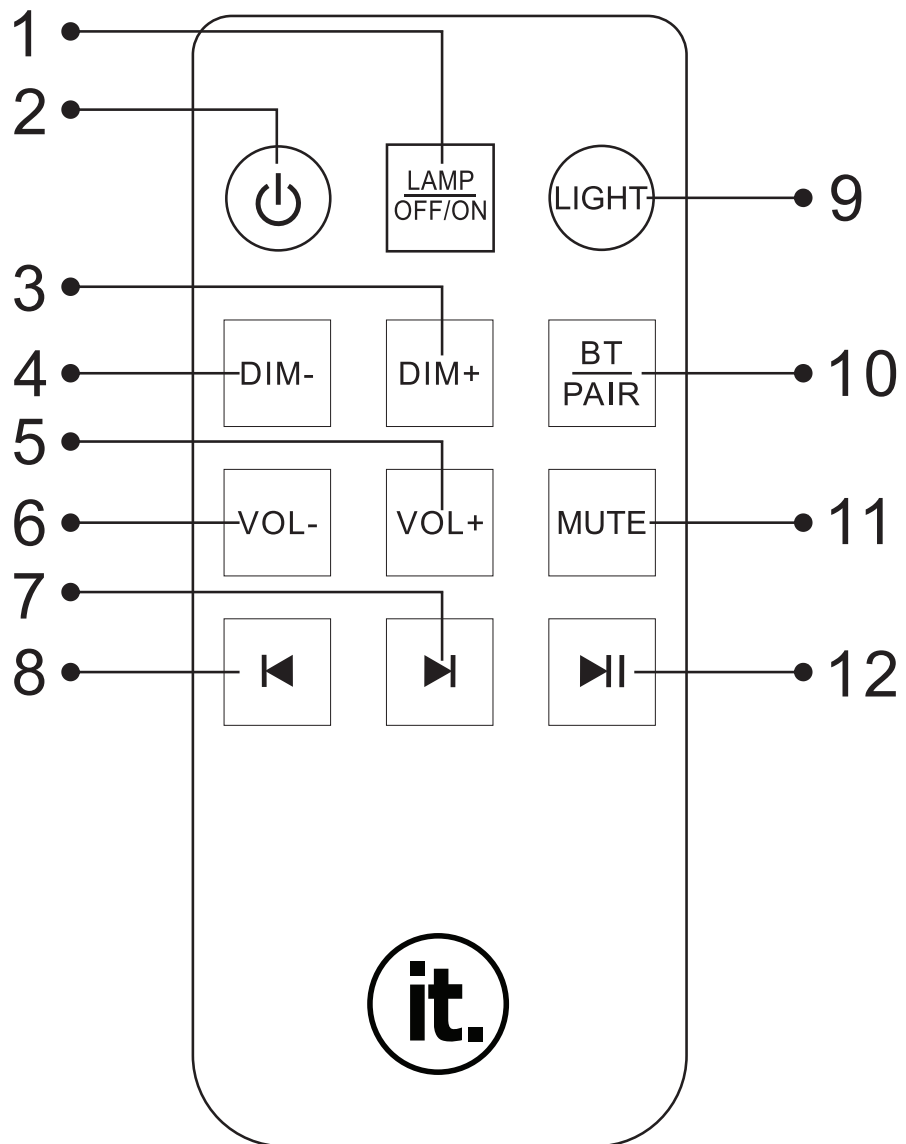
# BUTTONS & REMOTE CONTROL



1. Speaker
2. Side Panel
3. Power Button
4. Reset Function Pinhole
5. Blue Bluetooth LED Indicator
6. Red Charging LED Indicator
7. 5V Input Port



# BUTTONS & REMOTE CONTROL



1. LAMP OFF/ON
2. Power Button
3. Dimmer +
4. Dimmer -
5. Volume +
6. Volume -
7. Next
8. Previous
9. Light
10. Bluetooth Pair Button
11. Mute
12. Play / Pause

## Remote Control function

- Press " LAMP OFF/ON " button to turn OFF/ON the LED light.
- To adjust the brightness, press "DIM + / DIM -" button to adjust (Low-Mid-High).
- Press "VOL+ / VOL -" button to adjust the volume.
- Press " LIGHT" Button, LED light turns white and follows the rhythm of the music.
- Press " LIGHT" Button again, LED light will change to a transition mode of 7 colors.
- Press " BT PAIR" Button to enter Bluetooth pairing status, when you pair your Bluetooth device successfully, you can press "BT PAIR" Button again to disconnect your device.

# OPERATION

## Overview:

1. Before first use, it is recommended to charge the Speaker via the Micro USB Input Port with the supplied Micro USB Cable & Power Adaptor (see *Battery Charging below*). Speaker will take approximately 7 hours to charge from 0-100%.

## Connecting an External Device via Bluetooth:

1. Activate the Bluetooth function on your external device.
2. Select “**LETS ROCK**” on your device to begin pairing. You will hear an audible beep, signifying your device is paired and the Bluetooth LED indicator will remain solid Blue.
3. Begin playing music from your device.

## Note:

- Before you connect a Bluetooth device to this unit, familiarize yourself with the Bluetooth capabilities of your device.
- Any obstacle between this unit and a Bluetooth device can reduce the operational range.
- Keep this unit away from any other electronic device that may cause interference.
- If your device asks for password or PIN number, please enter “0000.”

## Turning the unit OFF:

1. Press and hold the Power Button for 3 seconds until the Speaker turns OFF.

**NOTE:** The Speaker will enter standby mode automatically after 15 minutes of inactivity.

# BATTERY CHARGING

1. Recharge the internal battery by inserting the supplied Micro USB Cable into the DC 5V Input port on the side of the Speaker. Connect the other end to a PC or the included Power Adaptor with 5V, 1A output. The Red Charging LED indicator will remain lit while charging. The LED indicator will turn Blue when the battery charging process is completed. Charging will take approximately 7 hours, depending on the charging source.

## Note:

If the unit has not been used for a long period of time, the rechargeable battery may be discharged into a “sleep mode.” To initialize the battery, it is recommended to charge for longer than 7 hours but DO NOT exceed 24 hours. Battery life will vary depending on operation. Loud music with heavy bass will drain the battery faster than spoken word audio. Keeping the light mode on will result in a battery difference of 2 hours, as opposed to leaving it off. Having the light on at the brightest setting will result in a shortened battery life.

## Caution:

The built-in rechargeable battery is not replaceable. Do not remove or replace it, do not throw in the trash or in a fire. Do not dispose device in standard garbage disposal sites. Dispose of device at available Battery Recycling Sites after fully discharging battery. Not doing so may violate local disposal laws and regulations. Please refer to local regulations for proper battery disposal.

# IMPORTANT INFORMATION

## FCC Statement

This device complies with Part 15 of the FCC Rules. Operation is subject to the following two conditions: (1) This device may not cause harmful interference, and (2) this device must accept any interference received, including interference that may cause undesired operation.

**NOTE:** This equipment has been tested and found to comply with the limits for a Class B digital device, pursuant to Part 15 of the FCC Rules. These limits are designed to provide reasonable protection against harmful interference in a residential installation. This equipment generates uses and can radiate radio frequency energy and, if not installed and used in accordance with the instructions, may cause harmful interference to radio communications. However, there is no guarantee that interference will not occur in a particular installation. If this equipment does cause harmful interference to radio or television reception, which can be determined by turning the equipment off and on, the user is encouraged to try to correct the interference by one of the following measures:

- Reorient or relocate the receiving antenna.
- Increase the separation between the equipment and receiver.
- Connect the equipment into an outlet on a circuit different from that to which the receiver is connected.
- Consult the dealer or an experienced radio/TV technician for help.

**WARNING:** Any changes or modifications not expressly approved by the party responsible for compliance could void the user's authority to operate this equipment.

## California Prop 65 Warning



**WARNING:** This product can expose you to chemicals including lead, which is known to the State of California to cause cancer and birth defects or other reproductive harm. For more information go to [www.P65Warnings.ca.gov](http://www.P65Warnings.ca.gov).

**NOTE:** This user manual has provided proper instructions to the users of the device, as well as usage restrictions, including the limits of exposure durations. The device is designed for reliable performance, and the user manual states detailed installations, proper operations, as well as special usage conditions, which comply with SAR and RF field strength limits. Users of this product should carefully study the user manual before using this device.

## INDUSTRY CANADA:

This device contains licence-exempt transmitter(s)/receiver(s) that comply with Innovation, Science and Economic Development Canada's licence-exempt RSS(s). Operation is subject to the following two conditions:

- (1) This device may not cause interference; and
- (2) This device must accept any interference, including interference that may cause undesired operation of the device.

This equipment complies with FCC and IC radiation exposure limits set forth for an uncontrolled environment. This equipment should be installed and operated with minimum distance 20cm between the radiator & your body.

Cet appareil contient des émetteurs / récepteurs exemptés de licence conformes aux RSS (RSS) d'Innovation, Sciences et Développement économique Canada. L'exploitation est autorisée aux deux conditions suivantes :

- (1) l'appareil ne doit pas produire de brouillage, et
- (2) l'utilisateur de l'appareil doit accepter tout brouillage radio électrique subi, même si le brouillage est susceptible d'en compromettre le fonctionnement."

Cet appareil est conforme à FCC et IC l'exposition aux rayonnements limites fixées pour un environnement non contrôlé. Cet appareil doit être installé et utilisé avec une distance minimale de 20 cm entre le radiateur et votre corps. Cet transmetteur ne doit pas être co-situé ou opérant en liaison avec toute autre antenne ou transmetteur.



# WARRANTY STATEMENT

## **Innovative Technology Electronics LLC. Limited Warranty: 90 Days Labor, One Year Parts**

Innovative Technology Electronics LLC. (IT) warrants the product to be free from "Defects" in materials under normal use for a period of "One Year" from the date of the original purchase. The Warranty is "Not" transferable. IT agrees, within the initial "90 Day" period, to repair or replace the product if it is determined to be defective at "No Charge". It is further agreed that IT will cover the cost to repair or replace damaged "Parts" only for a total period of "One Year" from the date of the original purchase. The warranty does not cover cosmetic damage, antennas, AC cords, cabinets, headbands, ear-pads, or damage due to line power surges, connection to improper voltage supply or settings, misuse, mishandling, accident, acts of God or attempted repair by an unauthorized service agent.

**To obtain service, the purchaser MUST present an original sales receipt / proof of purchase. Please contact us at [www.victrola.com](http://www.victrola.com) to request an RMA (Return Material Authorization) number to return products for service or replacement.** Returns without an RMA number on the package will be refused and returned to sender. Upon receipt of the returning item and our full inspection (IT) may issue a replacement to customer for the same item or of one that has equivalent value and features. To return an item, supply full name, return address, phone number, item purchased, receipt of purchase and reason for return to obtain RMA number.

All returns must be in the original packaging or reasonable substitute to prevent damage. Customer "Must" include full name, shipping address and telephone number inside of package. No return will be shipped back to a PO Box or APO address.

Please include your check or money order in the amount of:

- **USD\$5.00 for items \$10.00 to \$39.99 (Price Paid Per Unit)**
- **USD\$10.00 for items \$40.00 to \$99.99. (Price Paid Per Unit)**
- **USD\$16.00, for items \$100.00 and up. (Price Paid Per Unit)**
- **Shipping fees are non-refundable**

to be payable to Innovative Technology Electronics LLC. (for handling and return shipping charges) (IT) will not be responsible for delays or unprocessed claims resulting from a purchaser's failure to provide any / all of the necessary information. Send all inquiries or RMA request via our website **[www.victrola.com/pages/technical-support](http://www.victrola.com/pages/technical-support)**.

Innovative Technology Electronics LLC.  
1 Channel Drive  
Port Washington, NY 11050  
Toll free: 1-877-483-2497  
**Website for support: [www.victrola.com/pages/technical-support](http://www.victrola.com/pages/technical-support)**

There are no express warranties except as listed above.

REPAIR OR REPLACEMENT AS PROVIDED UNDER THIS WARRANTY IS THE EXCLUSIVE REMEDY OF THE CUSTOMER, (IT) SHALL NOT BE LIABLE FOR ANY INCIDENTAL OR CONSEQUENTIAL DAMAGES FOR BREACH OF ANY EXPRESS OR IMPLIED WARRANTY ON THIS PRODUCT EXCEPT TO THE EXTENT PROHIBITED BY APPLICABLE LAW. ANY IMPLIED WARRANTY OF MERCHANTABILITY OR FITNESS FOR A PARTICULAR PURPOSE ON THIS PRODUCT IS LIMITED IN DURATION TO THE DURATION OF THIS WARRANTY.

Some states do not allow the exclusion or limitation of incidental or consequential damages, or limitations on how long an implied warranty lasts, so the above exclusions or limitations may not apply to you. This warranty gives you specific legal rights and you may also have other rights, which vary from state to state.